

Liberty AEROSPACE

100 Aerospace Drive, Melbourne, FL 32901
Phone: (321) 752-0332 Fax: (321) 752-0377

Liberty Technical Document

Document Number: 135A-970-400

Revision: B

Liberty XL-2 Illustrated Parts Catalog

PROPRIETARY. ALL RIGHTS RESERVED. NO PORTION OF THIS DOCUMENT MAY BE REPRODUCED OR TRANSMITTED IN ANY FORM OR BY ANY MEANS, ELECTRONIC OR MECHANICAL, INCLUDING PHOTOCOPYING, RECORDING OR USE OF ANY INFORMATION STORAGE AND RETRIEVAL SYSTEM WITHOUT EXPRESS WRITTEN PERMISSION OF LIBERTY AEROSPACE, INC.

LIBERTY AEROSPACE

135A-970-400

ILLUSTRATED PARTS CATALOG

THIS PAGE INTENTIONALLY LEFT BLANK

LIBERTY AEROSPACE

135A-970-400

ILLUSTRATED PARTS CATALOG

Table of Contents

Introduction	Page
1. General Explanations.....	1
2. Illustrated Parts Catalog.....	1
3. Alphabetical Numerical Index	2
4. How to Find a Part	2
5. Commonly Used Abbreviations.....	2

SSS	Title	Figure	Page
03-00-00	Aircraft Configuration.....	01	2
03-00-00	Aircraft Assembly, Basic.....	02	4
11-20-00	Registration and Decals	01	3
11-30-00	Interior Placarding	01	3
23-10-00	Antennas	01	3
24-00-00	Electrical Power — General	01	2
24-30-00	Battery Installation.....	01	2
24-60-00	CB Panel Installation	01	3
25-10-00	Seat Belt Assembly Installation	01	3
25-10-00	Basic Internal Trim (Grey)	02	6
25-10-00	Deluxe Internal Trim	03	8
25-10-00	Control Yoke Boot Installation	03	10
25-50-00	Fuel Hose Cover Installation	01	2
25-60-00	Safety Hammer Installation	01	2
25-60-00	ELT Battery Installation	02	4
26-20-00	Fire Extinguisher Installation	01	2
27-10-00	Aileron Torque Tubes.....	01	2
27-20-00	Rudder System.....	01	3
27-40-00	Horizontal Stabilizer	01	3
27-50-00	Flap System	01	3
28-00-00	Fuel System	01	3

Use or disclosure of this data is subject to restrictions on the Title Page of this document.

LIBERTY AEROSPACE

135A-970-400

ILLUSTRATED PARTS CATALOG

Table of Contents - Continued

SSS	Title	Figure	Page
31-10-00	Instrument Panel	01	2
31-10-00	Avionics Installation, Garmin	02	9
32-10-00	Landing Gear	01	2
32-40-00	Brake System	01	2
33-10-00	Flight Compartment Lighting	01	2
33-40-00	Exterior Lights	01	3
34-10-00	Altitude Encoder and EDI Installation	01	3
39-10-00	Center Console Assembly	01	2
52-10-00	Port and Starboard Door Assembly	01	3
53-00-00	Fuselage Assembly	01	3
53-10-00	Wheel Fairing Installation	01	3
55-40-00	Rudder Assembly	01	3
56-10-00	Forward Windscreen	01	2
57-00-00	Wing, Aileron, and Flap System	01	3
61-10-00	Propeller Installation	01	2
71-10-00	Upper and Lower Cowl Assemblies	01	2
71-30-00	Firewall Assembly	01	2
72-00-00	Engine Installation	01	2
73-20-00	Throttle	01	2
Index			1

LIBERTY AEROSPACE

135A-970-400

ILLUSTRATED PARTS CATALOG

INTRODUCTION

1. GENERAL EXPLANATIONS - ILLUSTRATED PARTS CATALOG (IPC)

- a. **Content and Arrangement.** This IPC is a breakdown of assemblies, sub-assemblies and detail parts of the Liberty Model XL-2 aircraft. Items listed in this IPC are manufactured and distributed by Liberty Aerospace, 100 Aerospace Drive, Melbourne, FL 32901, and contains airframe parts considered necessary for maintenance and repair of this aircraft. This publication is arranged by System/Sub-System in accordance with ATA 100 guidelines, which are noted in the Table Of Contents (TOC).
- b. **Table of Contents.** The TOC appears at the front of this IPC, providing a list of all System/Sub-System figures listed in this IPC.

2. ILLUSTRATED PARTS CATALOG

- a. **System/Sub System Figures (SSS).** The SSS figures contained in this IPC consist of an illustration and text page. Illustrations are in exploded form and are arranged in a manner to depict the relationship of the parts listed on the text page. Guidelines are used to further clarify this relationship. Parts outlined by "phantom" lines are shown merely to relate detail parts to assemblies or systems.
- b. **Index Numbers.** The numbers appearing in the first left-hand column of each text page, key the text to the illustration. The Index Number provides cross-reference from the part numbers appearing on the text page to an isometric view of the part on the accompanying illustration. If a part does not appear, or is hidden on the accompanying illustration, the Index Number will be preceded by a hyphen (-), which stands for – ITEM NOT ILLUSTRATED.
- c. **Attaching Parts.** The words "ATTACHING PARTS" indicate the following parts are used to attach the item listed above "ATTACHING PARTS". The end of the attaching parts is indicated by the characters "- - - * - - -" The original item's detail breakdown components follow after the attaching parts.
- d. **Similar assemblies.** When similar assemblies or PORT/STARBOARD assemblies are broken down together any peculiarities are noted using effectivity codes shown in the (EFF. CODE) column.
- e. **Alternate Parts.** When the use of alternate parts is permitted, the part number of the acceptable alternate(s) is shown immediately after the preferred part and at the same indent.
- f. **Special Notations.** The words (SEE NOTE X) will parenthetically follow the nomenclature of items that require special attention. An explanatory note will appear at the bottom of text.
- g. **Parts Relationship.** Each part on the text page of the IPC is intended to indicate relationship. Each part is indented one column to the right of its next higher assembly (NHA). When all of the details of an assembly are shown in another SSS figure, (FOR DETAIL BREAKDOWN SEE XX-XX-XX FIG. XX) will follow the assembly's nomenclature. When an assembly is broken down in more than one figure (FOR ADDITIONAL DETAILS SEE XX-XX-XX FIG. XX) will follow the assembly's nomenclature. (FOR NHA SEE XX-XX-XX FIG. XX) following the assembly's nomenclature indicates where the assembly is shown under its NHA.
- h. **Units per Assembly (UPA).** Indicates the quantity of the item required for one assembly only. When parts are shown as attaching two or more items, the quantity listed are those necessary to attach only one of the items. "REF" indicates the quantity required will be listed on the figure parenthetically referenced following the nomenclature.

LIBERTY AEROSPACE

135A-970-400

ILLUSTRATED PARTS CATALOG

3. ALPHABETICAL NUMERICAL INDEX

- a. **The Alphabetical Numerical Index.** (INDEX OF PART NUMBERS), located at the end of the volume, serves as an index to the IPC, and lists, in alphanumeric order, all the part numbers contained in the IPC.

4. HOW TO FIND A PART

- a. **When the Part Number is Known.** Locate the part number in the Numerical Index of Part Numbers. Note the SSS figure and index number. Turn to the SSS figure and index number to obtain the desired information. If the illustration of the part is desired, refer to the same index number on the accompanying illustration.
- b. **When the Part Number is Not Known.** Using the TOC, determine the figure in which the part number should be shown. Note the page number on which that SSS figure will be found. Turn to that page in the IPC and locate the required part on the illustration. Note the index number of the part on the illustration and refer to the same index number on the text listing for that SSS figure. Opposite the index number will be shown the part number, part nomenclature, and all other necessary information.

5. COMMONLY USED ABBREVIATIONS – IPC

ASSY	ASSEMBLY
CB	CIRCUIT BREAKER
DPU	DATA PROCESSING UNIT
ECM	ELECTRONIC CONTROL MODULE
EDI	ELECTRONIC DIRECTIONAL INDICATOR
EFF	EFFECTIVITY
ELT	ELECTRONIC LOCATOR TRANSMITTER
FIG	FIGURE
FWD	FORWARD
GPS	GLOBAL POSITIONING SYSTEM
INBD	INBOARD
IPC	ILLUSTRATED PARTS CATALOG
LED	LIGHT EMITTING DIODE
MLG	MAIN LANDING GEAR
NHA	NEXT HIGHER ASSEMBLY
NLG	NOSE LANDING GEAR
OAT	OUTSIDE AIR TEMPERATURE
OTBD	OUTBOARD
REF	REFERENCE

LIBERTY AEROSPACE

135A-970-400

ILLUSTRATED PARTS CATALOG

RH	RIGHT HAND
SSS	SYSTEM / SUB-SYSTEM
STBD	STARBOARD
U / C	UNDERCARRIAGE
UPA	UNITS PER ASSEMBLY

LIBERTY AEROSPACE

135A-970-400

ILLUSTRATED PARTS CATALOG

THIS PAGE INTENTIONALLY LEFT BLANK

LIBERTY AEROSPACE

135A-970-400

ILLUSTRATED PARTS CATALOG

DETAILED PARTS LIST

Use or disclosure of this data is subject to restrictions on the Title Page of this document.

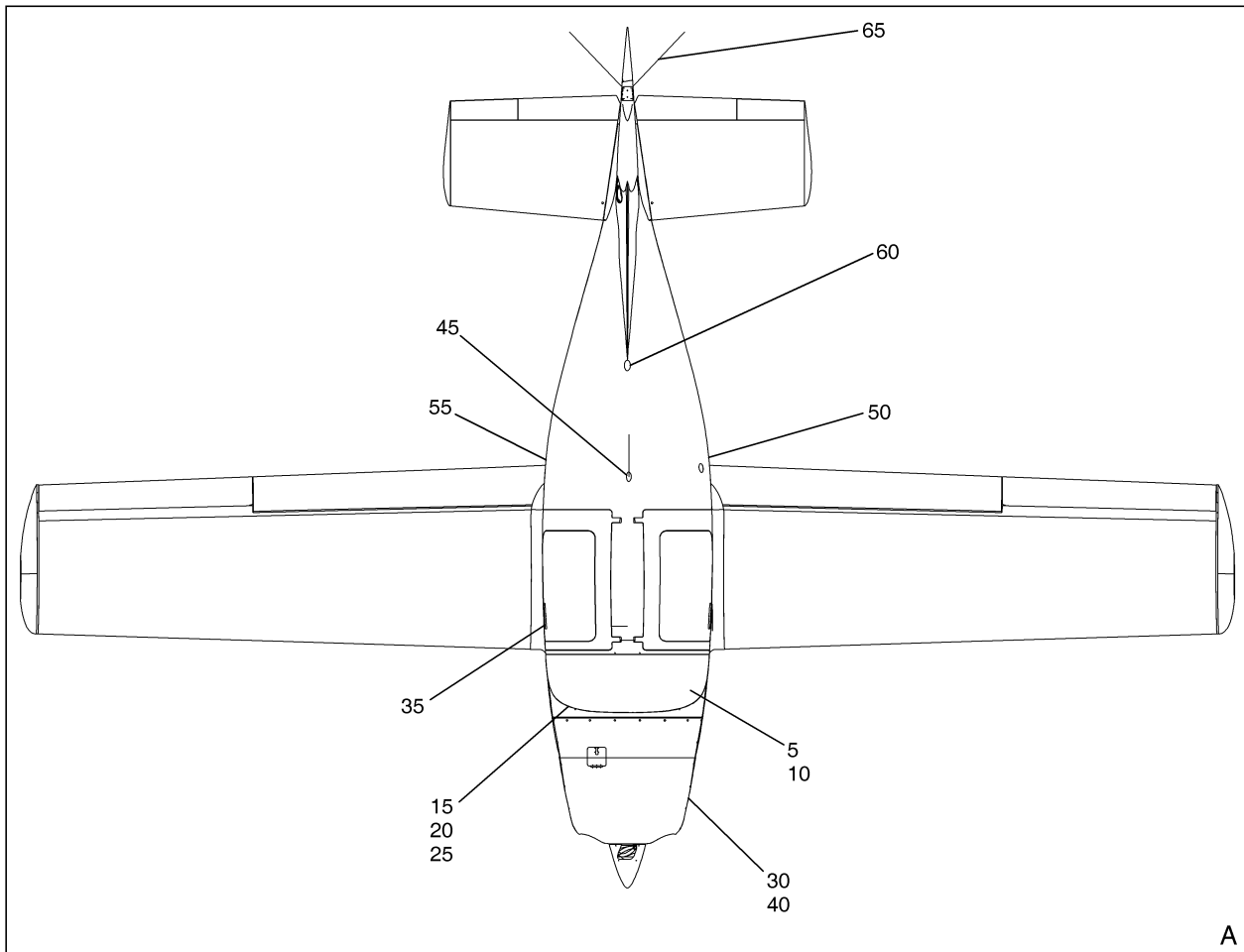
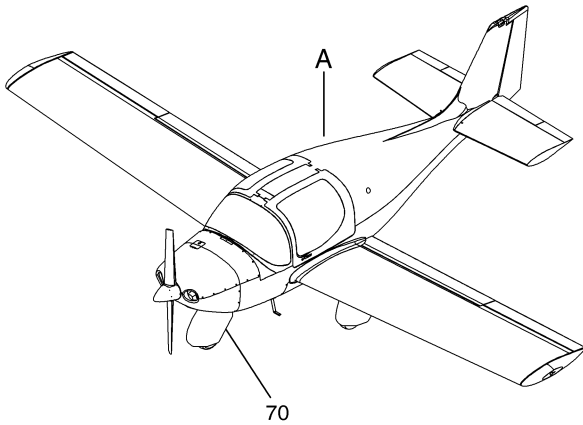
03-00-00

Page 1
NOV 1/07

LIBERTY AEROSPACE

135A-970-400

ILLUSTRATED PARTS CATALOG



LBTY_030000_01_01_C00

IPL Figure 01
Aircraft Configuration

Use or disclosure of this data is subject to restrictions on the Title Page of this document.

03-00-00

LIBERTY AEROSPACE

135A-970-400

ILLUSTRATED PARTS CATALOG

FIG. & ITEM	PART NUMBER	1234567 NOMENCLATURE	EFF CODE	UNITS PER ASSY
01				
- 1	135A-00-001	AIRCRAFT CONFIGURATION		REF
5	135A-08-002	. BASIC INTERNAL TRIM (GREY) (FOR DETAIL BREAKDOWN SEE 25-10-00 FIG. 02) (SEE NOTE 1)		REF
5	135A-08-008	. DELUXE INTERNAL TRIM (BEIGE) (FOR DETAIL BREAKDOWN SEE 25-10-00 FIG. 03) (SEE NOTE 1)		REF
5	135A-08-009	. DELUXE INTERNAL TRIM (GREY) (FOR DETAIL BREAKDOWN SEE 25-10-00 FIG. 03) (SEE NOTE 1)		REF
10	135A-08-047	. SEAT BELT ASSY INSTALLATION (FOR DETAIL BREAKDOWN SEE 25-10-00 FIG. 01)		REF
15	135A-80-005	. INSTRUMENT PANEL GARMIN DELUXE INSTALLATION (FOR DETAIL BREAKDOWN SEE 31-10-00 FIG. 01)		REF
20	135A-80-055	. AVIONICS GARMIN 530 INSTALLATION (FOR DETAIL BREAKDOWN SEE 31-10-00 FIG. 02)		REF
25	135A-80-082	. CB PANEL INSTALLATION (FOR DETAIL BREAKDOWN SEE 24-60-00 FIG. 01)		REF
30	135A-08-001	. REGISTRATION AND DECALS (FOR DETAIL BREAKDOWN SEE 11-20-00 FIG. 01)		REF
35	135A-08-003	. INTERIOR PLACARDING (FOR DETAIL BREAKDOWN SEE 11-30-00 FIG. 01)		REF
40	135A-00-025	. AIRCRAFT ASSY BASIC (FOR DETAIL BREAKDOWN SEE 03-00-00 FIG. 02, 5300-00 FIG. 01 AND 57-00-00 FIG. 01)		REF
45	135A-82-107	. ANTENNA INSTALLATION, CI-2480 GPS/VHF COMBINATION, FWD (FOR DETAIL BREAKDOWN SEE 23-10-00 FIG. 01)		REF
50	135A-82-113	. ANTENNA INSTALLATION, CI-105 TRANSPONDER (FOR DETAIL BREAKDOWN SEE 23-10-00 FIG. 01)		REF
55	135A-82-102	. ANTENNA INSTALLATION, CI-102 MARKER BEACON (FOR DETAIL BREAKDOWN SEE 23-10-00 FIG. 01)		REF
60	135A-82-109	. ANTENNA INSTALLATION, CI-2480 GPS/VHF COMBINATION, REAR (FOR DETAIL BREAKDOWN SEE 23-10-00 FIG. 01)		REF
65	135A-82-103	. ANTENNA INSTALLATION, VOR/LOC/GLIDE SLOPE (FOR DETAIL BREAKDOWN SEE 23-10-00 FIG. 01)		REF
70	135A-08-041	. FAIRING INSTALLATION, WHEEL (FOR DETAIL BREAKDOWN SEE 53-10-00 FIG. 01)		REF
		NOTES: 1. INTERNAL TRIM VARIES BY AIRCRAFT, REFER TO AIRCRAFT FLIGHT MANUAL, CUSTOMER PUR- CHASEORDER OR THE PART NUMBER MARKED ON THE COMPONENT TO ORDER SPARES.		

- ITEM NOT ILLUSTRATED

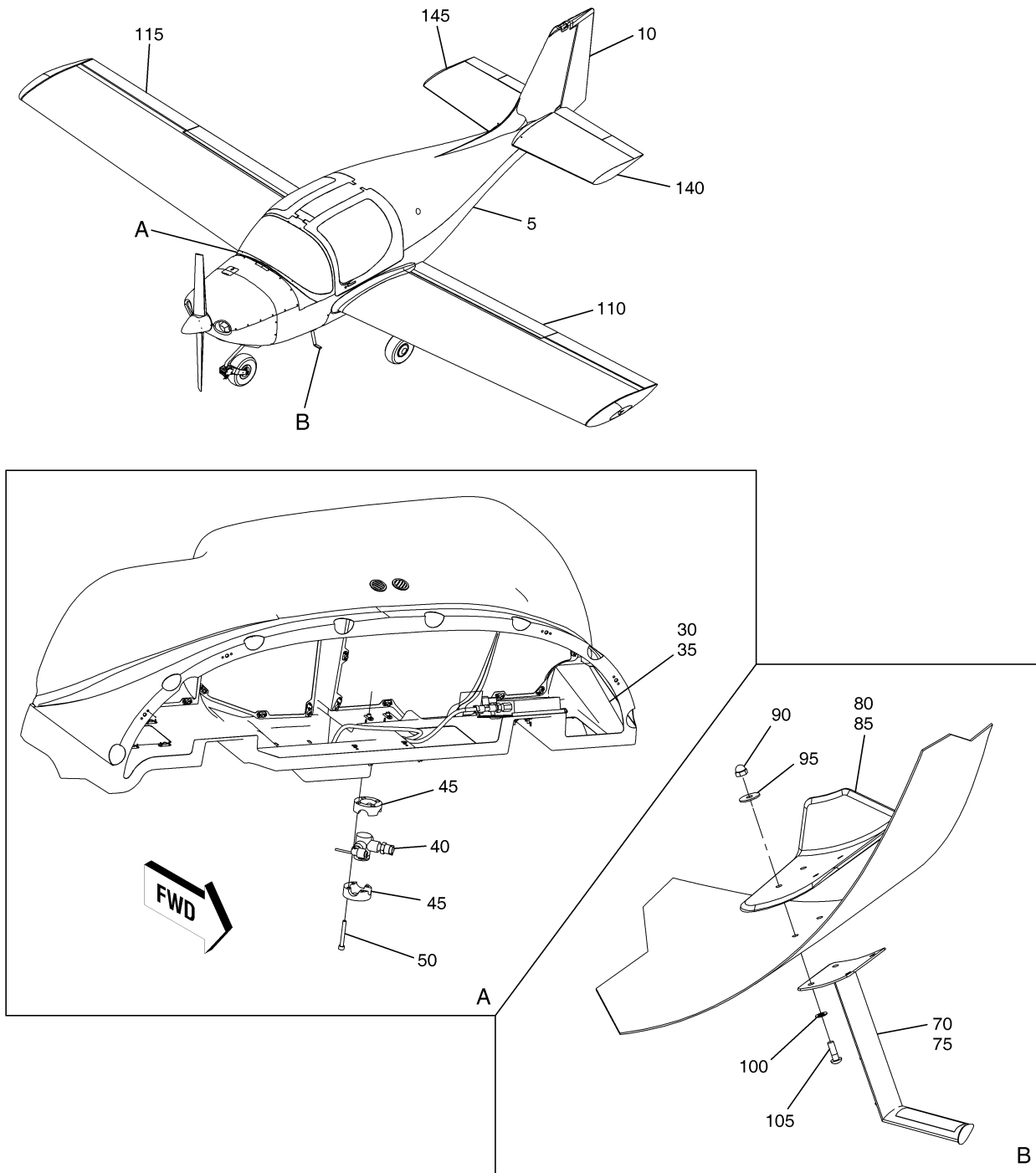
Use or disclosure of this data is subject to restrictions on the Title Page of this document.

03-00-00

LIBERTY AEROSPACE

135A-970-400

ILLUSTRATED PARTS CATALOG



LBTY_030000_02_01_C00

IPL Figure 02
Aircraft Assembly, Basic

Use or disclosure of this data is subject to restrictions on the Title Page of this document.

03-00-00

LIBERTY AEROSPACE

135A-970-400

ILLUSTRATED PARTS CATALOG

FIG. & ITEM	PART NUMBER	1234567 NOMENCLATURE	EFF CODE	UNITS PER ASSY
02				
- 1	135A-00-025	AIRCRAFT ASSEMBLY, BASIC (FOR NHA SEE 03-00-00 FIG. 01) (FOR ADDITIONAL DETAILS SEE 53-00-00 FIG. 01 AND 57-00-00 FIG. 01)		REF
5	135A-10-035	. FUSELAGE ASSY, CONTINUATION BUILD (FOR DETAIL BREAKDOWN SEE 11-30-00 FIG. 01, 24-00-00 FIG. 01, 28-00-00 FIG. 01, 32-40-00 FIG. 01 AND 53-00-00 FIG. 01)		REF
10	135A-30-129	. . RUDDER ASSEMBLY (FOR DETAILED BREAKDOWN SEE 55-40-00 FIG. 01)		1
- 15	135A-50-015	. ENGINE INSTALLATION (FOR DETAILED BREAKDOWN SEE 72-00-00 FIG. 01 AND 61-10-00 FIG. 01) (SEE NOTE 1)		REF
- 15	135A-50-017	. ENGINE INSTALLATION (FOR DETAILED BREAKDOWN SEE 72-00-00 FIG. 01 AND 61-10-00 FIG. 01) (SEE NOTE 1)		REF
- 20	135A-80-163	. CONSOLE ASSEMBLY, INSTRUMENT PANEL (FOR ADDITIONAL DETAILS SEE 34-10-00 FIG. 01)		REF
25	135A-80-247	. . CONSOLE ASSEMBLY, INSTRUMENT		1
30	135A-80-575	. . VENT DUCT, PORT		1
35	135A-80-576	. . VENT DUCT, STBD		1
40	98150-00	. . VALVE, 3-WAY		1
45	98150-50	. . BRACKET ASSY, MOUNTING (ATTACHING PARTS)		1
50	NAS1351C3-24	. . SCREW, 10-32 X 1.50 -----		2
- 55	135A-80-008	. EDI INSTALLATION (FOR DETAILED BREAKDOWN SEE 34-10-00 FIG. 01)		REF
- 60	135A-81-121	. COMPASS INSTALLATION, MAGNETIC		1
- 65	135A-11-101	. FOOTSTEP INSTALLATION		REF
70	135A-11-201	. . FOOTSTEP WELDMENT, PORT		1
75	135A-11-202	. . FOOTSTEP WELDMENT, STBD		1
80	135A-11-401	. . FOOTSTEP HARDPOINT, PORT		1
85	135A-11-402	. . FOOTSTEP HARDPOINT, STBD (ATTACHING PARTS)		1
90	90507A235	. . NUT, ACORN, 1/4-28		4
95	90313A205	. . WASHER, FLAT		4
100	NAS1149C0432R	. . WASHER, FLAT		4
105	MS27039C-4-12	. . SCREW, WASHER HEAD, 1/4-28 X .781 -----		4
110	135A-20-007	. WING, AILERON AND FLAP ASSEMBLY, PORT (FOR DETAILED BREAKDOWN SEE 57-00-00 FIG. 01 AND 33-40-00 FIG. 01)		REF
115	135A-20-008	. WING, AILERON AND FLAP ASSEMBLY, STBD (FOR DETAILED BREAKDOWN SEE 57-00-00 FIG. 01 AND 33-40-00 FIG. 01)		REF
- 120	135A-10-143	. COVER INSTALLATION, FUEL HOSE (FOR DETAILED BREAKDOWN SEE 25-50-00 FIG. 01)		REF

Use or disclosure of this data is subject to restrictions on the Title Page of this document.

03-00-00

LIBERTY AEROSPACE

135A-970-400

ILLUSTRATED PARTS CATALOG

FIG. & ITEM	PART NUMBER	1234567 NOMENCLATURE	EFF CODE	UNITS PER ASSY
02				
- 125	135A-10-147	. SAFETY HAMMER INSTALLATION (FOR DETAILED BREAKDOWN SEE 25-60-00 FIG. 01)		REF
- 130	135A-10-141	. FIRE EXTINGUISHER INSTALLATION (FOR DETAILED BREAKDOWN SEE 25-60-00 FIG. 01)		REF
- 135	135A-10-159	. AIRCRAFT DOCUMENT HOLDER INSTALLATION		1
140	135A-30-101	. TAILPLANE AND TRIM TAB ASSEMBLY, PORT		1
145	135A-30-102	. AILPLANE AND TRIM TAB ASSEMBLY, STBD		1
- 150	135A-10-017	. BATTERY INSTALLATION, ELT (FOR DETAILED BREAKDOWN SEE 24-30-00 FIG. 01 AND 25-60-00 FIG. 02)		REF
- 155	135A-10-145	. BOOT INSTALLATION, CONTROL YOKE (FOR DETAIL BREAKDOWN SEE 25-10-00 FIG. 04)		
		NOTES: 1. ENGINE VARIES BY AIRCRAFT, REFER TO AIRCRAFT FLIGHT MANUAL, CUSTOMER PURCHASE ORDER OR THE PART NUMBER MARKED ON THE COMPONENT TO ORDER SPARES.		

Use or disclosure of this data is subject to restrictions on the Title Page of this document.

03-00-00

LIBERTY AEROSPACE

135A-970-400

ILLUSTRATED PARTS CATALOG

DETAILED PARTS LIST

Use or disclosure of this data is subject to restrictions on the Title Page of this document.

11-20-00

Page 1
NOV 1/07

LIBERTY AEROSPACE

135A-970-400

ILLUSTRATED PARTS CATALOG

THIS PAGE INTENTIONALLY LEFT BLANK

Use or disclosure of this data is subject to restrictions on the Title Page of this document.

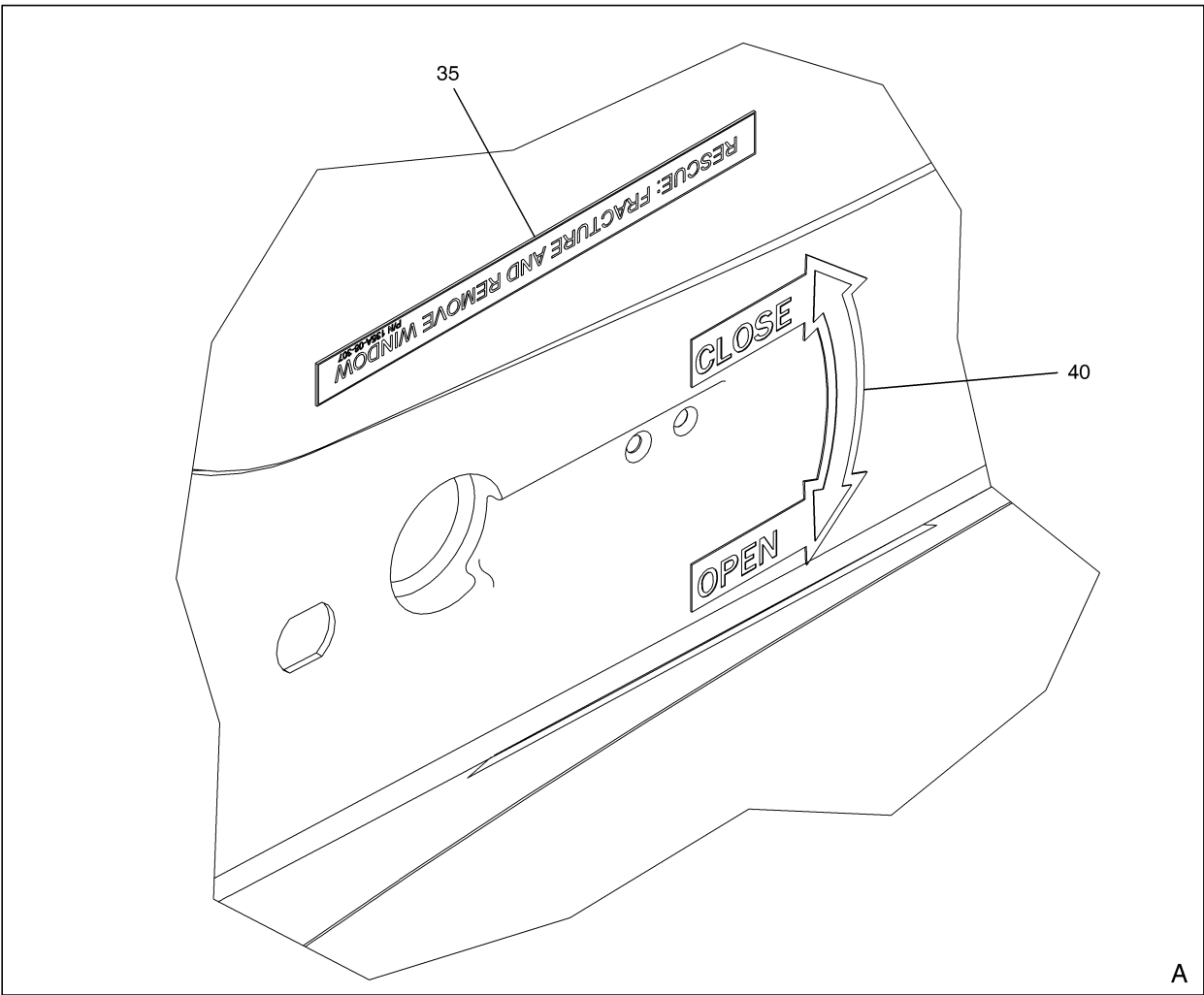
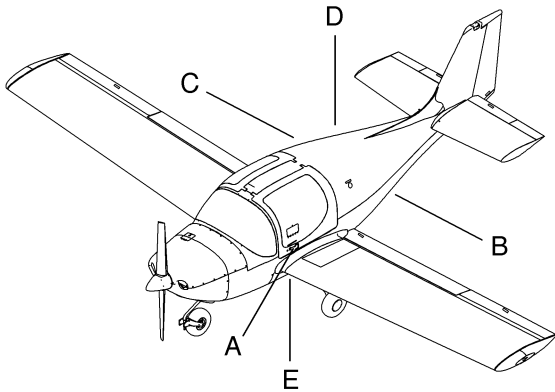
11-20-00

Page 2
NOV 1/07

LIBERTY AEROSPACE

135A-970-400

ILLUSTRATED PARTS CATALOG



LBTY_112000_01_01_C00

IPL Figure 01 (Sheet 1 of 4)
Registration and Decals

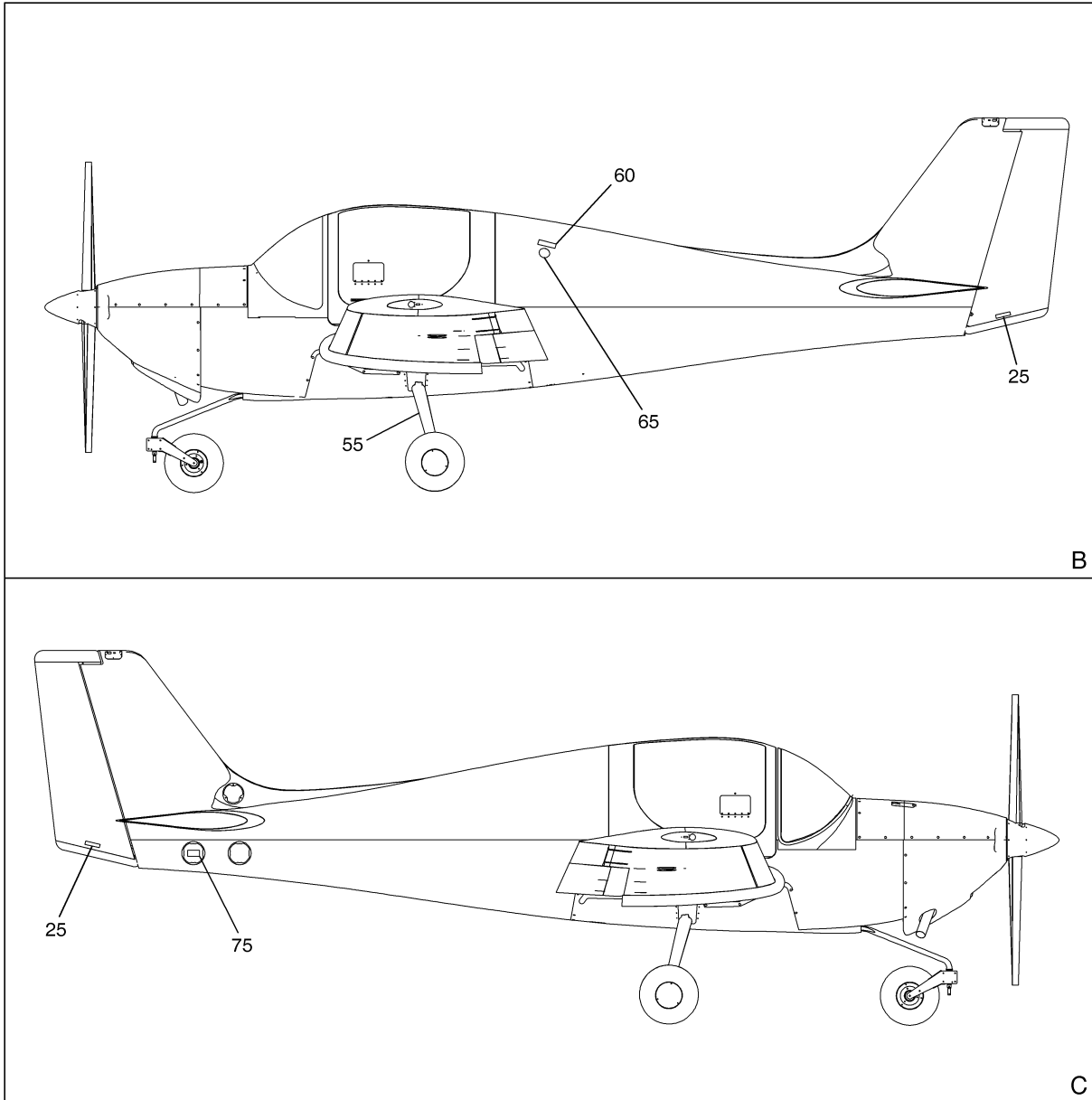
Use or disclosure of this data is subject to restrictions on the Title Page of this document.

11-20-00

LIBERTY AEROSPACE

135A-970-400

ILLUSTRATED PARTS CATALOG



LBTY_112000_01_02_C00

IPL Figure 01 (Sheet 2 of 4)
Registration and Decals

Use or disclosure of this data is subject to restrictions on the Title Page of this document.

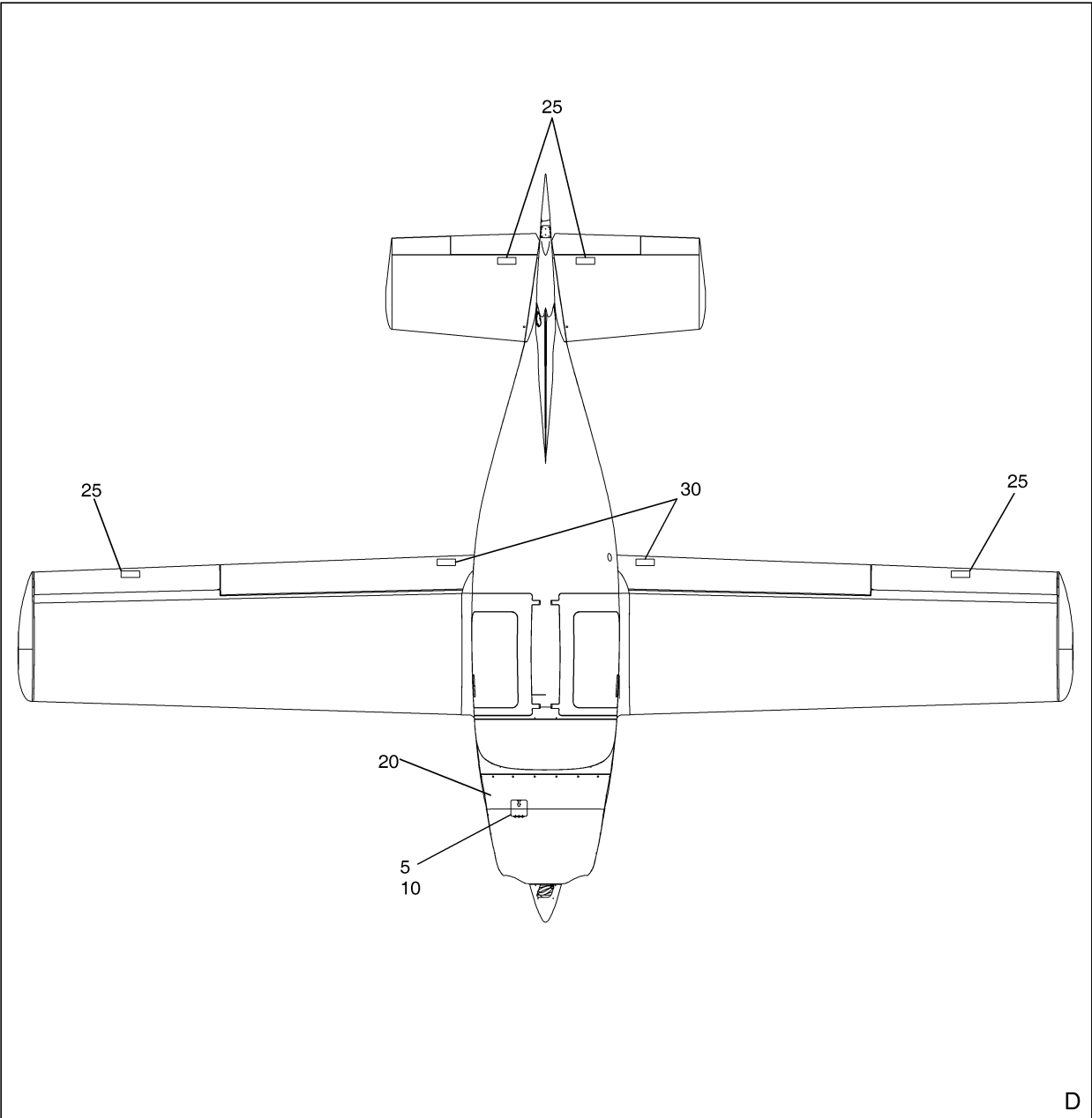
11-20-00

Page 4
NOV 1/07

LIBERTY AEROSPACE

135A-970-400

ILLUSTRATED PARTS CATALOG



LBTY_112000_01_03_C00

IPL Figure 01 (Sheet 3 of 4)
Registration and Decals

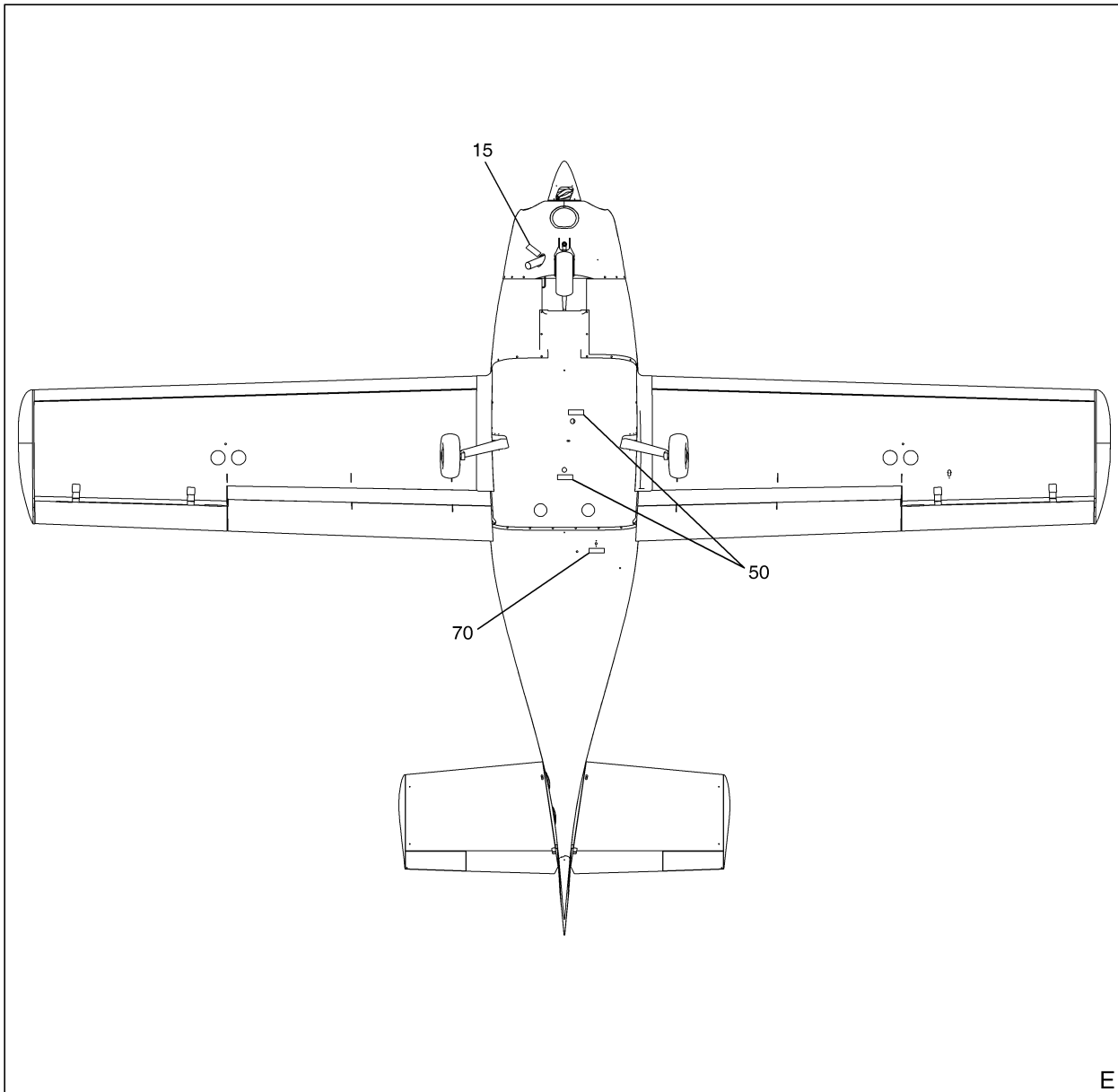
Use or disclosure of this data is subject to restrictions on the Title Page of this document.

11-20-00

LIBERTY AEROSPACE

135A-970-400

ILLUSTRATED PARTS CATALOG



LBTY_112000_01_04_C00

IPL Figure 01 (Sheet 4 of 4)
Registration and Decals

Use or disclosure of this data is subject to restrictions on the Title Page of this document.

11-20-00

Page 6
NOV 1/07

LIBERTY AEROSPACE

135A-970-400

ILLUSTRATED PARTS CATALOG

FIG. & ITEM	PART NUMBER	1234567 NOMENCLATURE	EFF CODE	UNITS PER ASSY
01				
-	1	135A-08-001		REF
		REGISTRATION AND DECALS (FOR NHA SEE 03-00-00 FIG. 01)		
-	5	UXP-034		1
-	10	135A-08-306		1
	15	74-1		1
-	20	135A-08-317		1
	25	1041-1		6
	30	1040-1		2
	35	135A-08-307		2
	40	135A-08-349		1
-	45	135A-08-350		1
	50	09-43917		2
	55	135A-08-325		1
	60	135A-08-301		1
	60	135A-08-302		1
	65	CUST-FUEL		1
	70	135A-08-323		1
	75	135A-08-397		1
		<p>NOTES:</p> <ol style="list-style-type: none"> 1. LOCATED ON INTERIOR SURFACE OF OIL SERVICING HATCH COVER. 2. LOCATED UNDER UPPER COWL NEXT TO BRAKE FLUID RESERVOIR SERVICE TUBE. 3. FUEL CAPACITY PLACARD VARIES BY AIRCRAFT, REFER TO AIRCRAFT FLIGHT MANUAL, CUSTOMER PURCHASE ORDER OR PART NUMBER MARKED ON THE COMPONENT TO ORDER SPARES. 		

- ITEM NOT ILLUSTRATED

LIBERTY AEROSPACE

135A-970-400

ILLUSTRATED PARTS CATALOG

THIS PAGE INTENTIONALLY LEFT BLANK

Use or disclosure of this data is subject to restrictions on the Title Page of this document.

11-20-00

Page 8
NOV 1/07

LIBERTY AEROSPACE

135A-970-400

ILLUSTRATED PARTS CATALOG

DETAILED PARTS LIST

Use or disclosure of this data is subject to restrictions on the Title Page of this document.

11-30-00

Page 1
NOV 1/07

LIBERTY AEROSPACE

135A-970-400

ILLUSTRATED PARTS CATALOG

THIS PAGE INTENTIONALLY LEFT BLANK

Use or disclosure of this data is subject to restrictions on the Title Page of this document.

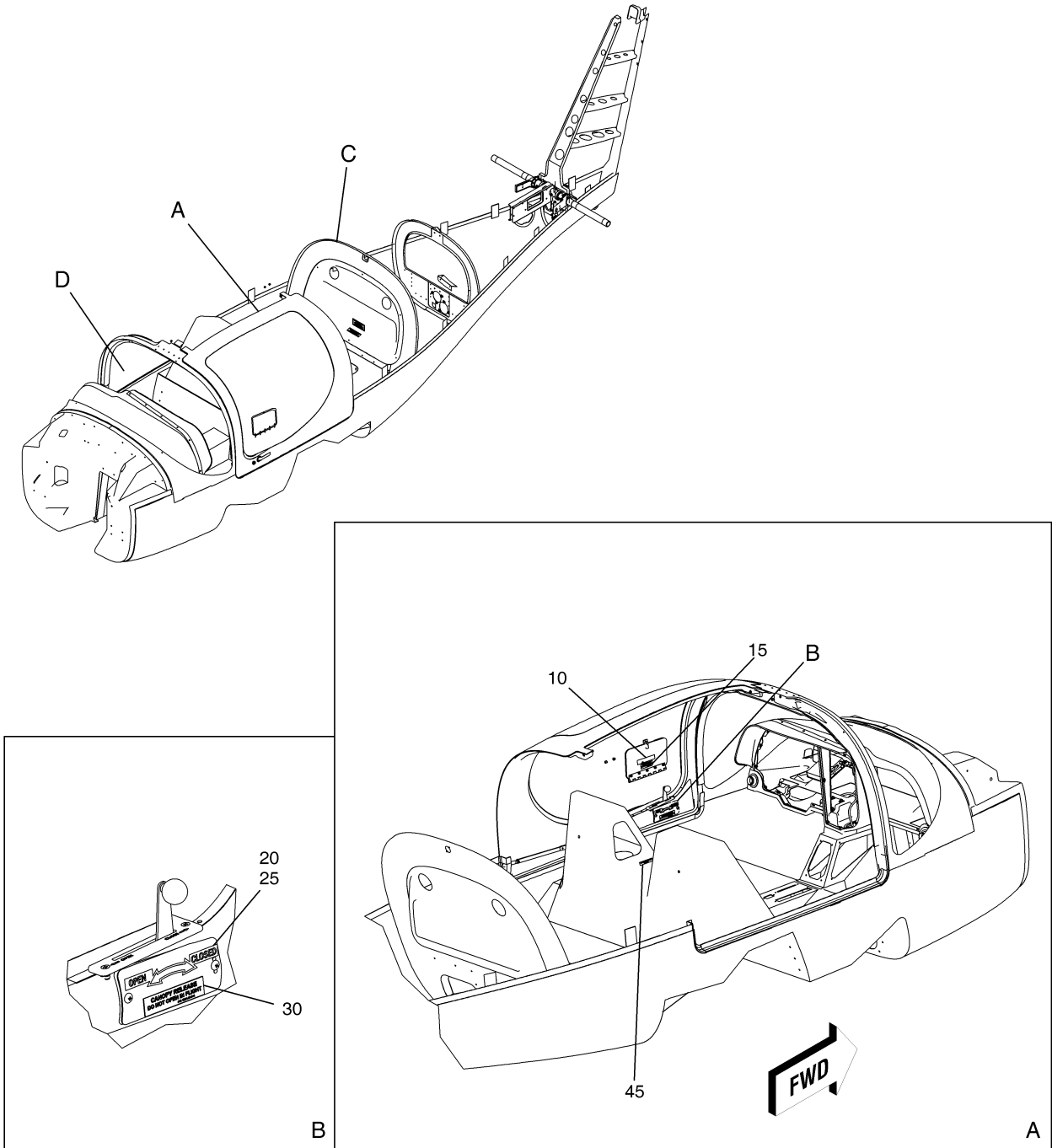
11-30-00

Page 2
NOV 1/07

LIBERTY AEROSPACE

135A-970-400

ILLUSTRATED PARTS CATALOG



LBTY_113000_01_01_C00

IPL Figure 01 (Sheet 1 of 2)
Interior Placarding

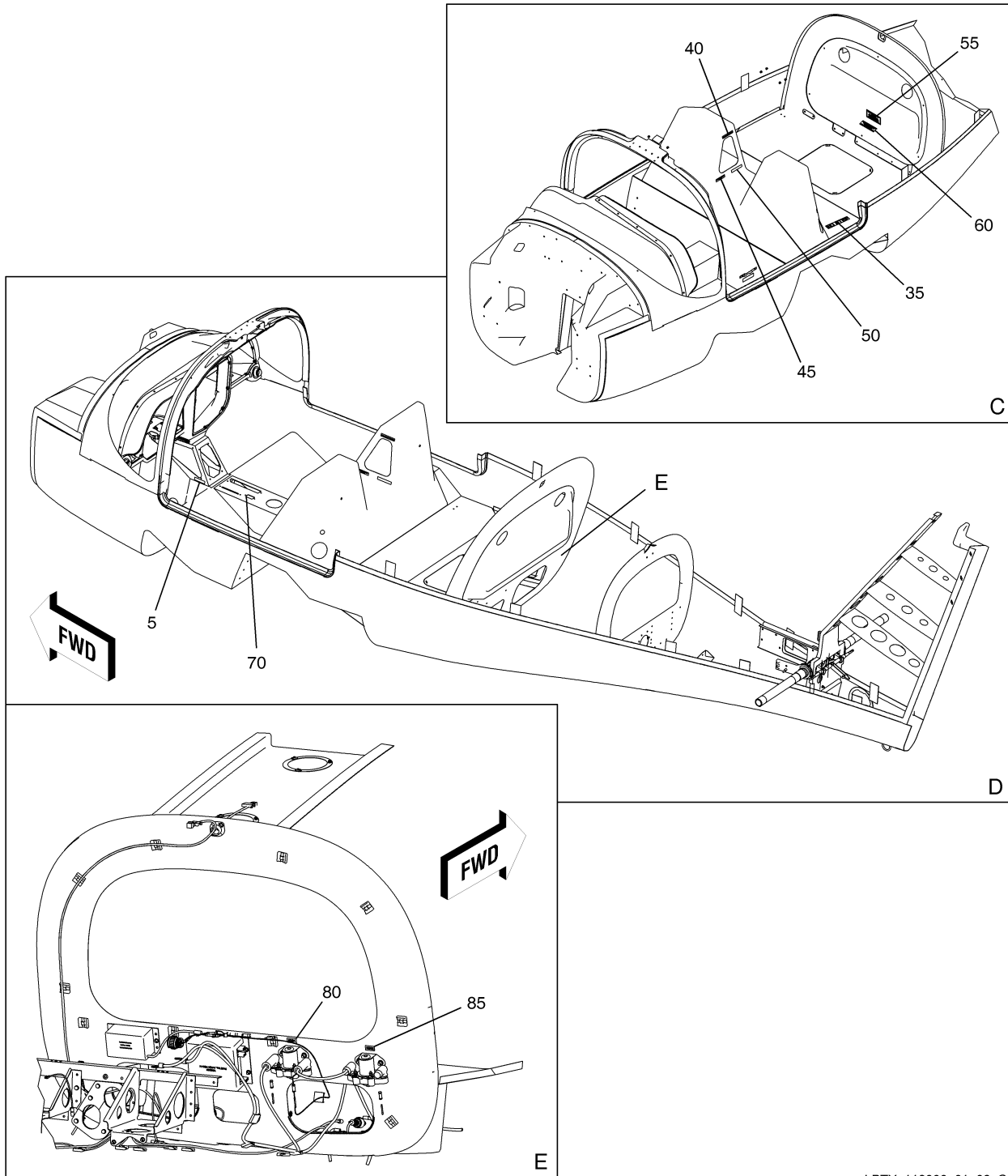
Use or disclosure of this data is subject to restrictions on the Title Page of this document.

11-30-00

LIBERTY AEROSPACE

135A-970-400

ILLUSTRATED PARTS CATALOG



LBTY_113000_01_02_C00

IPL Figure 01 (Sheet 2 of 2)
Interior Placarding

Use or disclosure of this data is subject to restrictions on the Title Page of this document.

11-30-00

LIBERTY AEROSPACE

135A-970-400

ILLUSTRATED PARTS CATALOG

FIG. & ITEM	PART NUMBER	1234567 NOMENCLATURE	EFF CODE	UNITS PER ASSY
01				
- 1	135A-08-003	INTERIOR PLACARDING (FOR NHA SEE 03-00-00 FIG. 01)		REF
5	135A-08-393	. PLACARD, CENTER TUNNEL (VENT DEFOG)		2
10	135A-08-373	. PLACARD (DOOR VENT PANEL) (SEE NOTE 1)		2
15	135A-08-321	. PLACARD (DO NOT OPEN) (SEE NOTE 1)		2
20	135A-08-505	. PLACARD (OPEN-CLOSE), PORT		1
25	135A-08-506	. PLACARD (OPEN-CLOSE), STBD		1
30	135A-08-341	. PLACARD (DO NOT OPEN IN FLIGHT)		1
35	1041-1	. PLACARD (NO STEP)		1
40	135A-08-327	. PLACARD (EMERGENCY HAMMER)		1
45	135A-08-343	. PLACARD (SOFT GOODS ONLY)		2
50	135A-08-346	. PLACARD (AFM/POH INSIDE)		1
55	135A-08-315	. PLACARD (MAX BAGGAGE)		1
60	135A-08-319	. PLACARD (ELT SERVICE)		1
- 65	135A-10-035	FUSELAGE ASSY, CONTINUATION BUILD (FOR NHA SEE 03-00-00 FIG. 02) (FOR ADDITIONAL DETAILS SEE 24-00-00 FIG. 01, 28-00-00 FIG. 01, 32-40-00 FIG. 01 AND 53-00-00 FIG. 01)		REF
70	135A-10-347	. PLACARD, TRIM SWITCH		1
- 75	135A-10-101	FUSELAGE ELECTRICAL (FOR NHA SEE 33-10-00 FIG. 01) (FOR ADDITIONAL DETAILS SEE 23-20-00 FIG. 01, 24-00-00 FIG. 01, 31-10-00 FIG. 01)		REF
80	135A-08-309	. PLACARD, BATTERY RELAY K001		1
85	135A-08-311	. PLACARD, BATTERY RELAY K002		1
		NOTES: 1. INTERIOR PLACARDS VARY BY AIRCRAFT. REFER TO AIRCRAFT FLIGHT MANUAL, CUSTOMER PURCHASE ORDER OR THE PART NUMBER MARKED ON THE COMPONENT TO ORDER SPARES.		

- ITEM NOT ILLUSTRATED

LIBERTY AEROSPACE

135A-970-400

ILLUSTRATED PARTS CATALOG

THIS PAGE INTENTIONALLY LEFT BLANK

Use or disclosure of this data is subject to restrictions on the Title Page of this document.

11-30-00

Page 6
NOV 1/07

LIBERTY AEROSPACE

135A-970-400

ILLUSTRATED PARTS CATALOG

DETAILED PARTS LIST

Use or disclosure of this data is subject to restrictions on the Title Page of this document.

23-10-00

Page 1
NOV 1/07

LIBERTY AEROSPACE

135A-970-400

ILLUSTRATED PARTS CATALOG

THIS PAGE INTENTIONALLY LEFT BLANK

Use or disclosure of this data is subject to restrictions on the Title Page of this document.

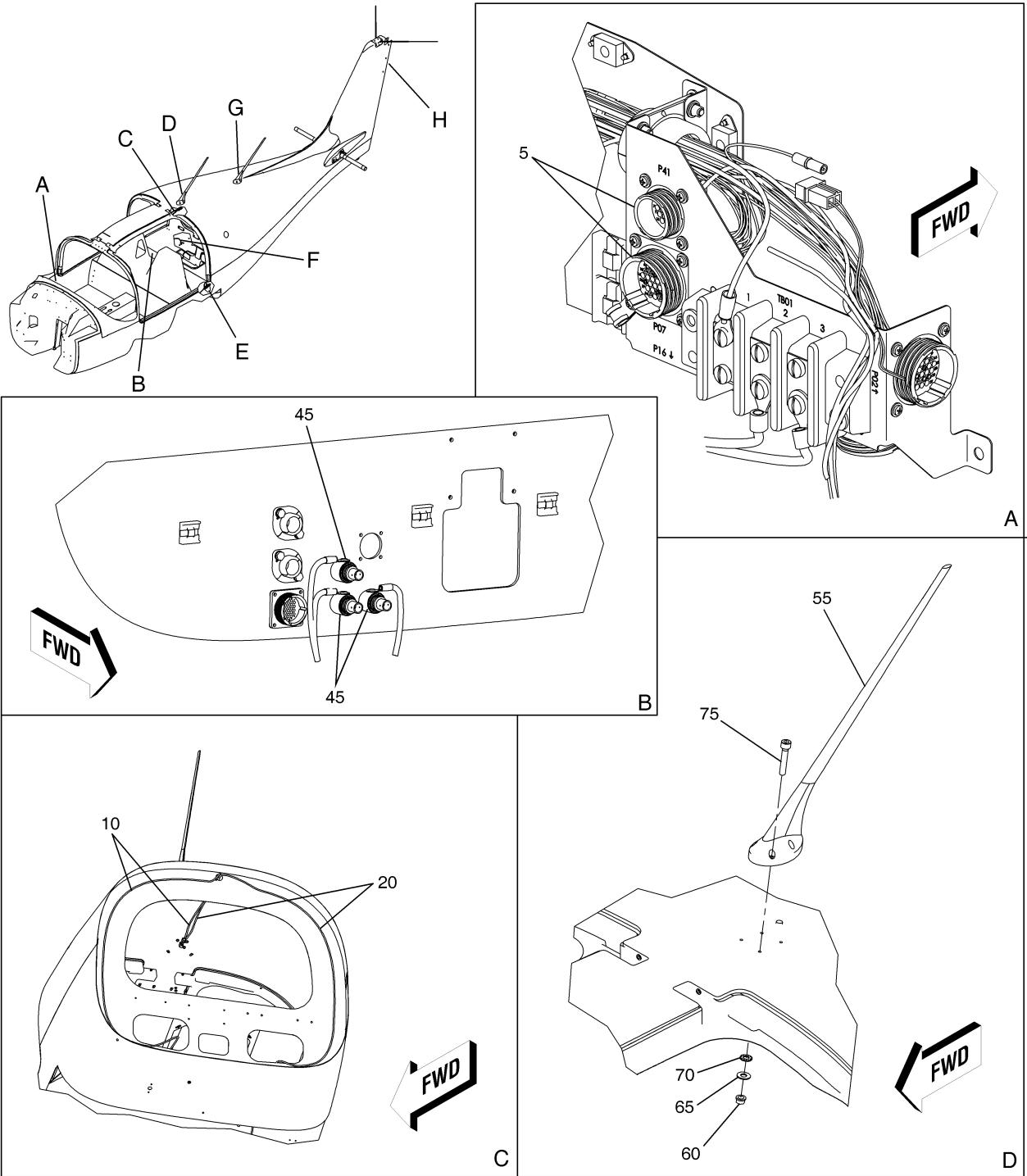
23-10-00

Page 2
NOV 1/07

LIBERTY AEROSPACE

135A-970-400

ILLUSTRATED PARTS CATALOG



LBTY_231000_01_01_C00

IPL Figure 01 (Sheet 1 of 2)
Antennas

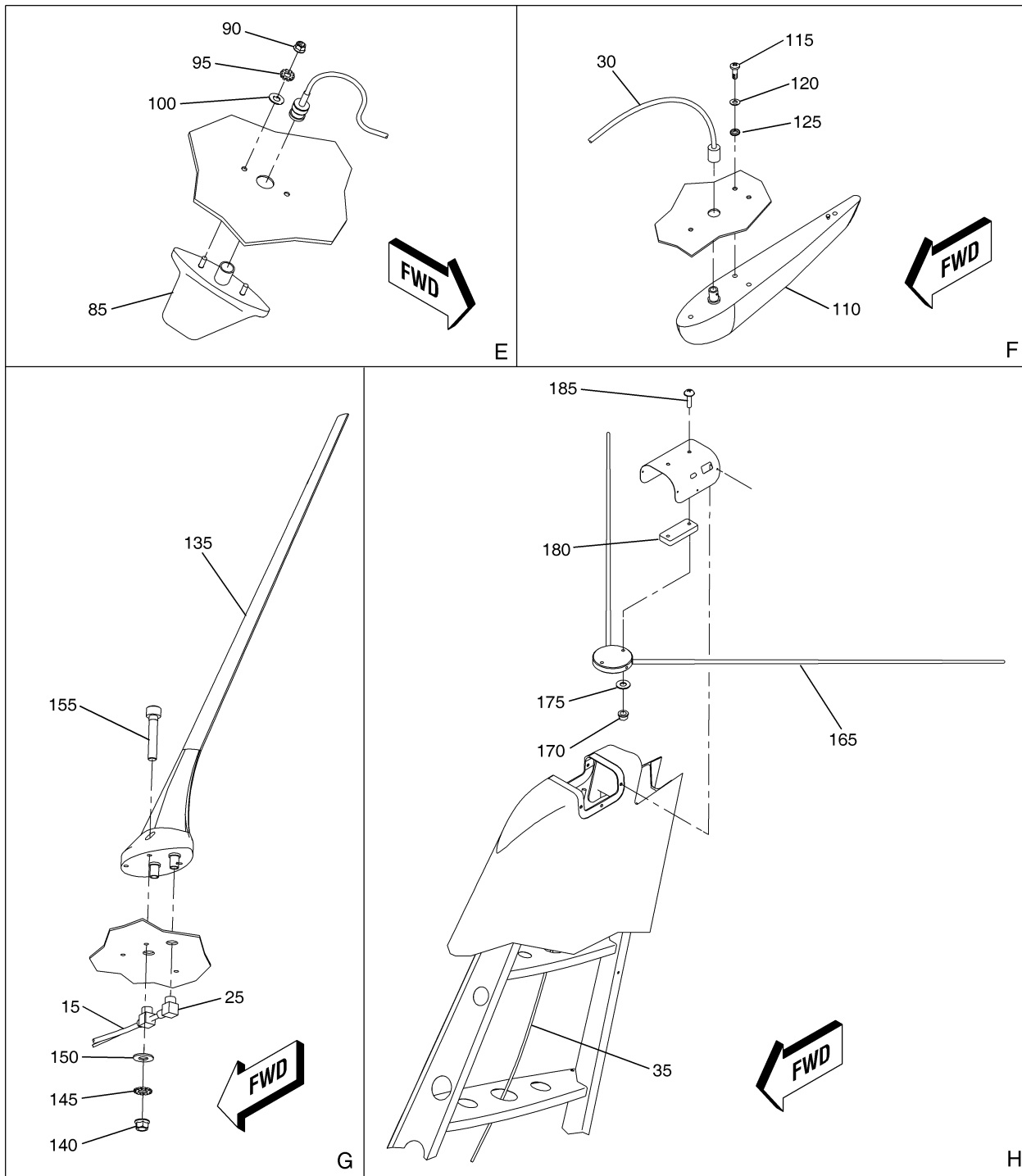
Use or disclosure of this data is subject to restrictions on the Title Page of this document.

23-10-00

LIBERTY AEROSPACE

135A-970-400

ILLUSTRATED PARTS CATALOG



LBTY_231000_01_02_C00

IPL Figure 01 (Sheet 2 of 2)
Antennas

Use or disclosure of this data is subject to restrictions on the Title Page of this document.

23-10-00

LIBERTY AEROSPACE

135A-970-400

ILLUSTRATED PARTS CATALOG

FIG. & ITEM	PART NUMBER	1234567 NOMENCLATURE	EFF CODE	UNITS PER ASSY
01				
- 1	135A-10-045	SPACE FRAME ELECTRICAL (FOR NHA SEE 33-10-00 FIG. 01) (FOR ADDITIONAL DETAILS SEE 24-00-00 FIG. 01 AND 31-10-00 FIG. 01)		REF
	5 135A-81-249	. HARNESS ASSEMBLY, AUDIO		1
	10 ACOM01A	. CABLE ASSEMBLY, ANTENNA		1
	15 ACOM02A	. CABLE ASSEMBLY, ANTENNA		1
	20 AGPS01A	. CABLE ASSEMBLY, ANTENNA		1
	25 AGPS02A	. CABLE ASSEMBLY, ANTENNA		1
	30 AMB01A	. CABLE ASSEMBLY, ANTENNA		1
	35 AVLOC01A	. CABLE ASSEMBLY, ANTENNA		1
- 40	135A-10-101	FUSELAGE ELECTRICAL (FOR NHA SEE 33-10-00 FIG 01) (FOR ADDITIONAL DETAILS SEE 24-00-00 FIG. 01 AND 31-10-00 FIG. 01)		REF
	45 P8AX-BW-FF	. SURGE PROTECTOR, COAXIAL		3
- 50	135A-82-107	CI-2480 GPS/VHF COMBINATION ANTENNA FORWARD INSTALLATION (FOR NHA SEE 03-00-00 FIG 01)		REF
	55 CI-2480-200	. ANTENNA, COMBINATION, GPS/VHF (ATTACHING PARTS)		1
	60 MS21042-3	. NUT, SELF-LOCKING, 10-32		4
	65 MS35335-60	. WASHER, EXTERNAL TOOTH, #10		4
	70 NAS1149C0332R	. WASHER, FLAT		4
	75 SCSH010F0016SS	. SCREW, CAP, SOCKET HEAD, 10-32		4

- 80	135A-82-113	CI-105 TRANSPONDER ANTENNA INSTALLATION (FOR NHA SEE 03-00-00 FIG 01)		REF
	85 CI-105	. ANTENNA, DME TRANSPONDER (ATTACHING PARTS)		1
	90 MS21042-08	. NUT, SELF-LOCKING, 8-32		2
	95 MS35335-31	. WASHER, EXTERNAL TOOTH, #8		2
	100 NAS1149CN816R	. WASHER, FLAT		2

- 105	135A-82-102	CI-102 MARKER BEACON ANTENNA INSTALLATION (FOR NHA SEE 03-00-00 FIG 01)		REF
	110 CI-102	. ANTENNA, MARKER BEACON (ATTACHING PARTS)		1
	115 AN526C-1032R8	. SCREW, MACHINE, 10-32		4
	120 NAS1149C0332R	. WASHER, FLAT		4
	125 MS35335-60	. WASHER, EXTERNAL TOOTH, #10		4

- 130	135A-82-109	CI-2480 GPS/VHF COMBINATION ANTENNA FORWARD INSTALLATION (FOR NHA SEE 03-00-00 FIG 01)		REF
	135 CI-2480-200	. ANTENNA, COMBINATION, GPS/VHF (ATTACHING PARTS)		1

- ITEM NOT ILLUSTRATED

Use or disclosure of this data is subject to restrictions on the Title Page of this document.

LIBERTY AEROSPACE

135A-970-400

ILLUSTRATED PARTS CATALOG

FIG. & ITEM	PART NUMBER	1234567 NOMENCLATURE	EFF CODE	UNITS PER ASSY
01				
140	MS21042-3	. NUT, SELF-LOCKING, 10-32		4
145	MS35335-60	. WASHER, EXTERNAL TOOTH, #10		4
150	NAS1149C0332R	. WASHER, FLAT		4
155	SCSH010F0016SS	. SCREW, CAP, SOCKET HEAD, 10-32		4
		- - - * * * - - -		
- 160	135A-82-103	VOR/LOC/GLIDE SLOPE ANTENNA INSTALLATION (FOR NHA SEE 03-00-00 FIG 01)		REF
165	CI 159C	. ANTENNA, VOR/LOC/GLIDE SLOPE (ATTACHING PARTS)		1
170	MS21042-3	. NUT, SELF-LOCKING, 10-32		2
175	NAS1149C0332R	. WASHER, FLAT		2
180	135A-82-301	. SPACER BLOCK, VOR		1
185	AN526C-1032R20	. SCREW, MACHINE, 10-32		2
		- - - * * * - - -		

- ITEM NOT ILLUSTRATED

LIBERTY AEROSPACE

135A-970-400

ILLUSTRATED PARTS CATALOG

DETAILED PARTS LIST

Use or disclosure of this data is subject to restrictions on the Title Page of this document.

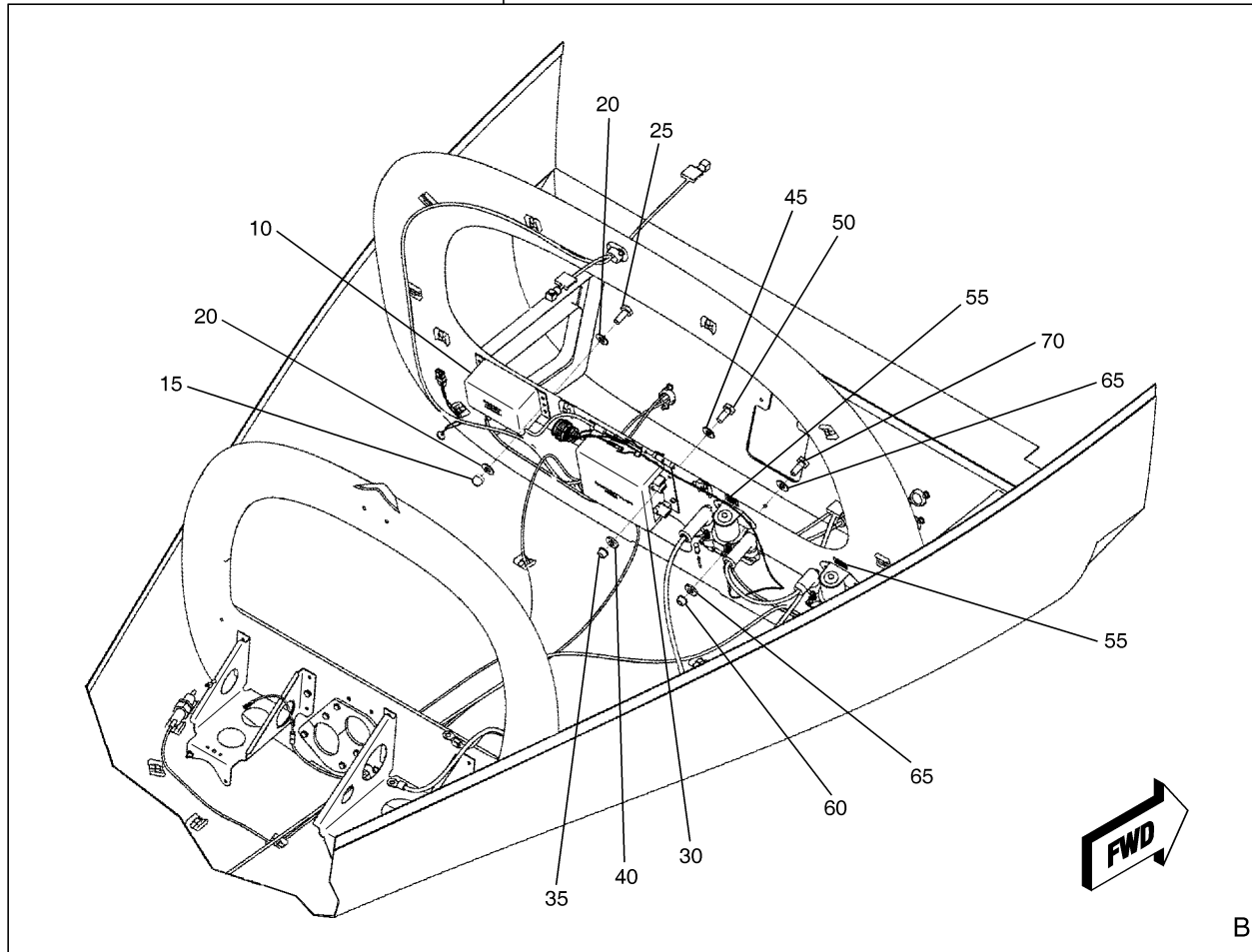
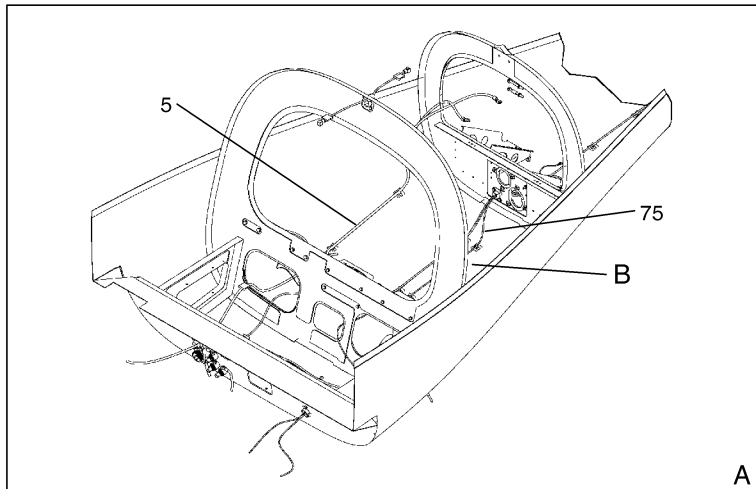
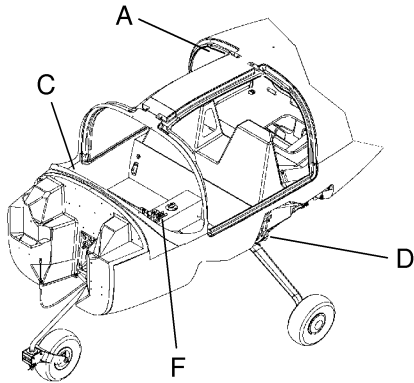
24-00-00

Page 1
NOV 1/07

LIBERTY AEROSPACE

135A-970-400

ILLUSTRATED PARTS CATALOG



LBTY_240000_01_01_C00

IPL Figure 01 (Sheet 1 of 3)
Electrical Power — General

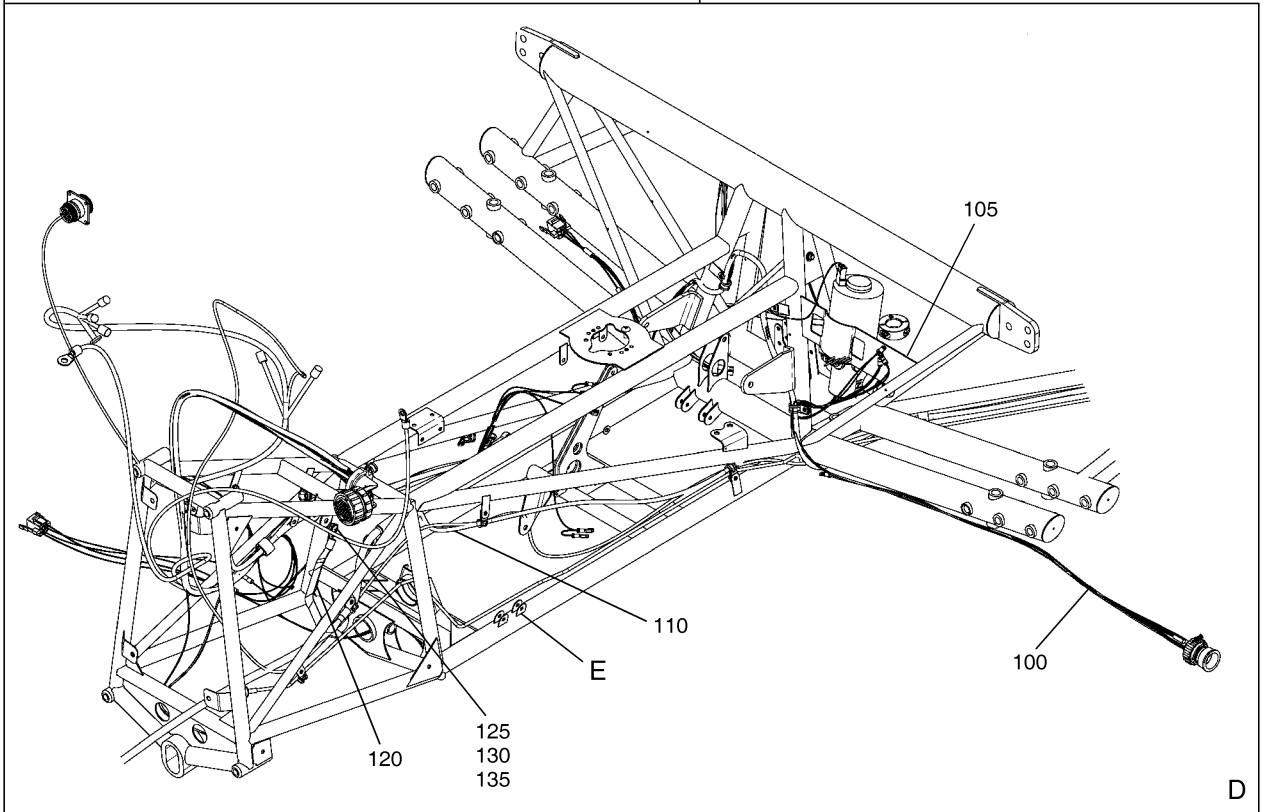
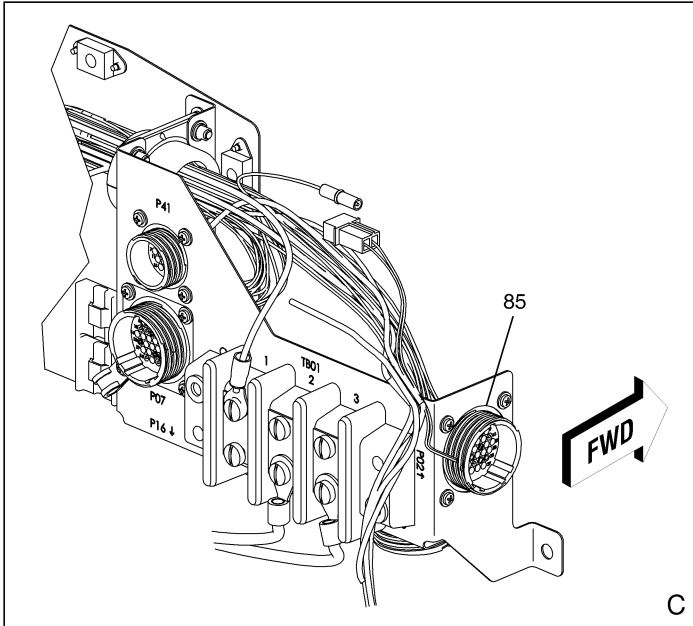
Use or disclosure of this data is subject to restrictions on the Title Page of this document.

24-00-00

LIBERTY AEROSPACE

135A-970-400

ILLUSTRATED PARTS CATALOG



LBTY_240000_01_02_C00

IPL Figure 01 (Sheet 2 of 3)
Electrical Power — General

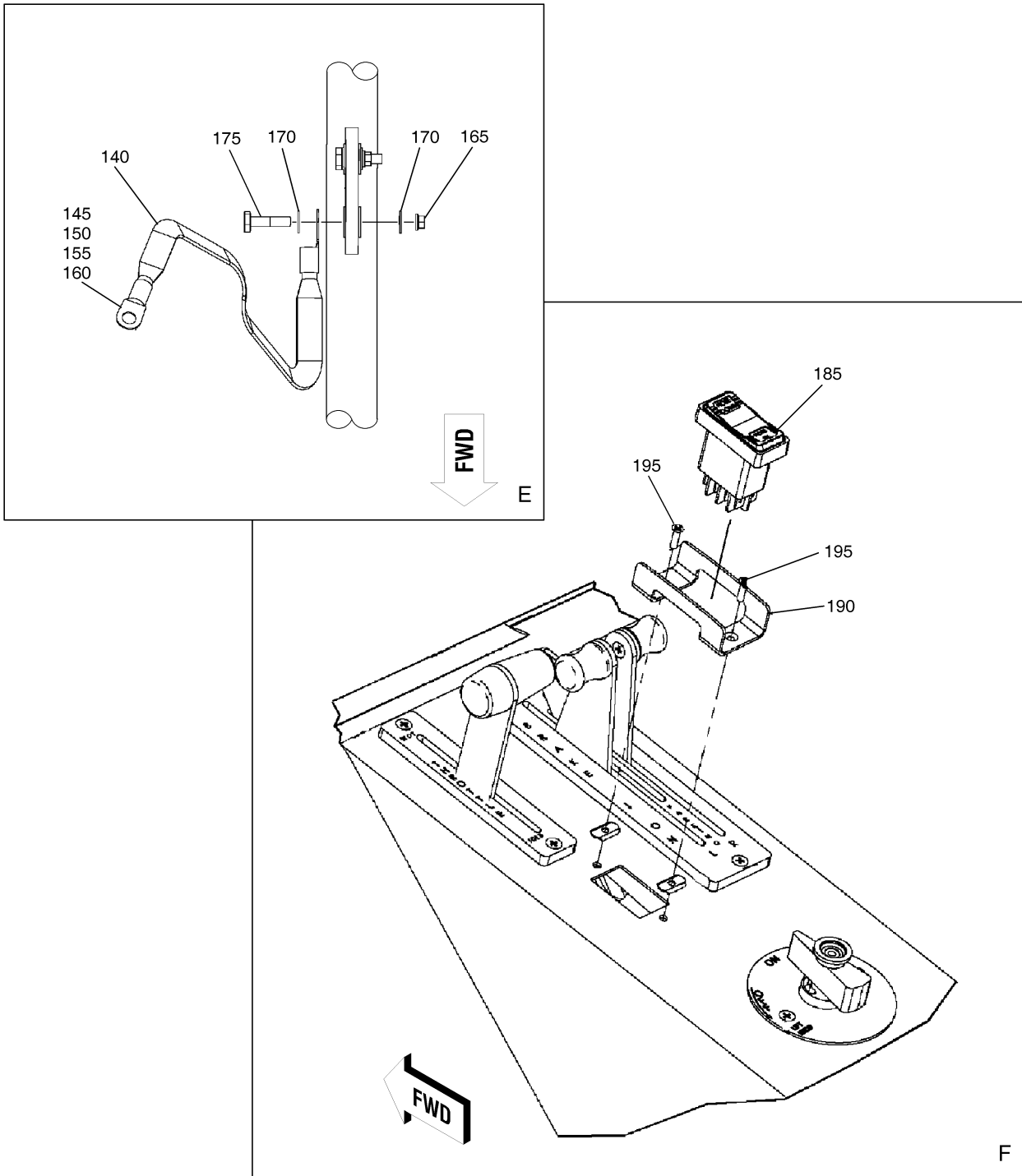
Use or disclosure of this data is subject to restrictions on the Title Page of this document.

24-00-00

LIBERTY AEROSPACE

135A-970-400

ILLUSTRATED PARTS CATALOG



LBTY_240000_01_03_C00

IPL Figure 01 (Sheet 3 of 3)
Electrical Power — General

Use or disclosure of this data is subject to restrictions on the Title Page of this document.

24-00-00

LIBERTY AEROSPACE

135A-970-400

ILLUSTRATED PARTS CATALOG

FIG. & ITEM	PART NUMBER	1234567 NOMENCLATURE	EFF CODE	UNITS PER ASSY
01				
- 1	135A-10-101	FUSELAGE ELECTRICAL (FOR NHA SEE 33-10-00 FIG. 01) (FOR ADDITIONAL DETAILS SEE 11-30-00 FIG. 01, 23-20-00 FIG. 01 AND 31-10-00 FIG. 01)		REF
5	135A-81-227	. HARNESS, P20/AFT		1
10	VR2000-14-3	. VOLTAGE REGULATOR (ATTACHING PARTS)		1
15	MS21043-3	. NUT, SELF-LOCKING, 10-32		2
20	NAS1149C0332R	. WASHER, FLAT		4
25	AN3C3A	. BOLT, 10-32		2

30	A413AHDACF	. POWER SUPPLY (ATTACHING PARTS)		1
35	MS21043-3	. NUT, SELF-LOCKING, 10-32		2
40	NAS1149C0363R	. WASHER, FLAT		2
45	NAS1149C0332R	. WASHER, FLAT		2
50	AN3C3A	. BOLT, 10-32		2

55	6041H105	. RELAY (ATTACHING PARTS)		2
60	MS21043-4	. NUT, SELF-LOCKING, 1/4-28		2
65	NAS1149C0416R	. WASHER, FLAT		4
70	AN4C-4A	. BOLT, 1/4-28		2

75	135A-81-345	. WIRE ASSEMBLY, P25A10N		1
- 80	135A-10-103	. FUSELAGE, BASIC AND HARDWARE (FOR ADDITIONAL DETAILS SEE 24-00-00 FIG. 01, 27-40-00 FIG. 01, 53-00-00 FIG. 01 AND 56-10-00 FIG. 01)		REF
85	135A-81-033	. . HARNESS INSTALLATION, POWER DISTRIBUTION		1
- 90	135A-10-045	SPACE FRAME ELECTRICAL (FOR NHA SEE 33-10-00 FIG. 01) (FOR ADDITIONAL DETAILS SEE 23-10-00 FIG. 01 AND 31-10-00 FIG. 01)		REF
100	135A-81-207	. HARNESS, SPACE FRAME		1
- 105	AGS-3232TC-8-10	. GROUND STRAP, 3/8 X 8		1
110	135A-81-311	. WIRE ASSEMBLY, P25A10		1
- 115	135A-10-047	. SPACE FRAME-FLAP SYSTEM (FOR ADDITIONAL DETAILS SEE 27-20-00 FIG. 01, 27-50-00 FIG. 01 AND 73-20-00 FIG. 01)		REF
120	AGS-3233	. . GROUND STRAP, 1/2 X 6 (ORDER OVERLENGTH PART No. AGS-3233-2TC-6-10) (ATTACHING PARTS)		1
- 125	MS21042-3	. . NUT, SELF-LOCKING, 10-32		2
- 130	NAS1149F0332P	. . WASHER, FLAT		2
- 135	AN525-10R6	. . SCREW, WASHER HEAD, 10-32 X 3/8		2

- ITEM NOT ILLUSTRATED

Use or disclosure of this data is subject to restrictions on the Title Page of this document.

LIBERTY AEROSPACE

135A-970-400

ILLUSTRATED PARTS CATALOG

FIG. & ITEM	PART NUMBER	1234567 NOMENCLATURE	EFF CODE	UNITS PER ASSY
01				
	140	AGS-3233 .. GROUND STRAP, 1/2 X 10 (ORDER OVERLENGTH PART No. AGS-3233-2TC-10-10-1/4) (ATTACHING PARTS)		1
-	145	MS24665-153 .. PIN, SPLIT, 1/16 X 3/4 (SEE NOTE 1)		1
-	150	MS17826-4 .. NUT, CASTLE, SELF-LOCKING (SEE NOTE 1)		1
-	155	NAS1149F0463R .. WASHER, FLAT (SEE NOTE 1)		1
-	160	AN4-15 .. BOLT, 1/4-28 (SEE NOTE 1)		1
	165	MS21043-3 .. NUT, SELF-LOCKING, 10-32 (SEE NOTE 2)		1
	170	NAS1149C0332R .. WASHER, FLAT (SEE NOTE 2)		2
	175	AN3C6A .. BOLT, 10-32 (SEE NOTE 2) -----		1
-	180	135A-10-035 FUSELAGE ASSY, CONTINUATION BUILD (FOR NHA SEE 03-00-00 FIG. 02) (FOR ADDITIONAL DETAILS SEE 11-30-00 FIG. 01, 28-00-00 FIG. 01, 32-40-00 FIG. 01 AND 53-00-00 FIG. 01)		REF
	185	VLDANHH4 .. SWITCH, SERIES V (ORDER OVERLENGTH PART No.VLDANHH4-199XX-1XX-XNS1)		1
	190	135A-80-511 .. GUARD, TRIM ROCKER SWITCH (ATTACHING PARTS)		1
	195	MS24693-C28 .. SCREW, MACHINE, FLAT HEAD, 6-32 -----		2
		NOTES: 1. FOR NHA SEE 135A-45-215. 2. FOR NHA SEE 135A-10-072.		

- ITEM NOT ILLUSTRATED

LIBERTY AEROSPACE

135A-970-400

ILLUSTRATED PARTS CATALOG

DETAILED PARTS LIST

Use or disclosure of this data is subject to restrictions on the Title Page of this document.

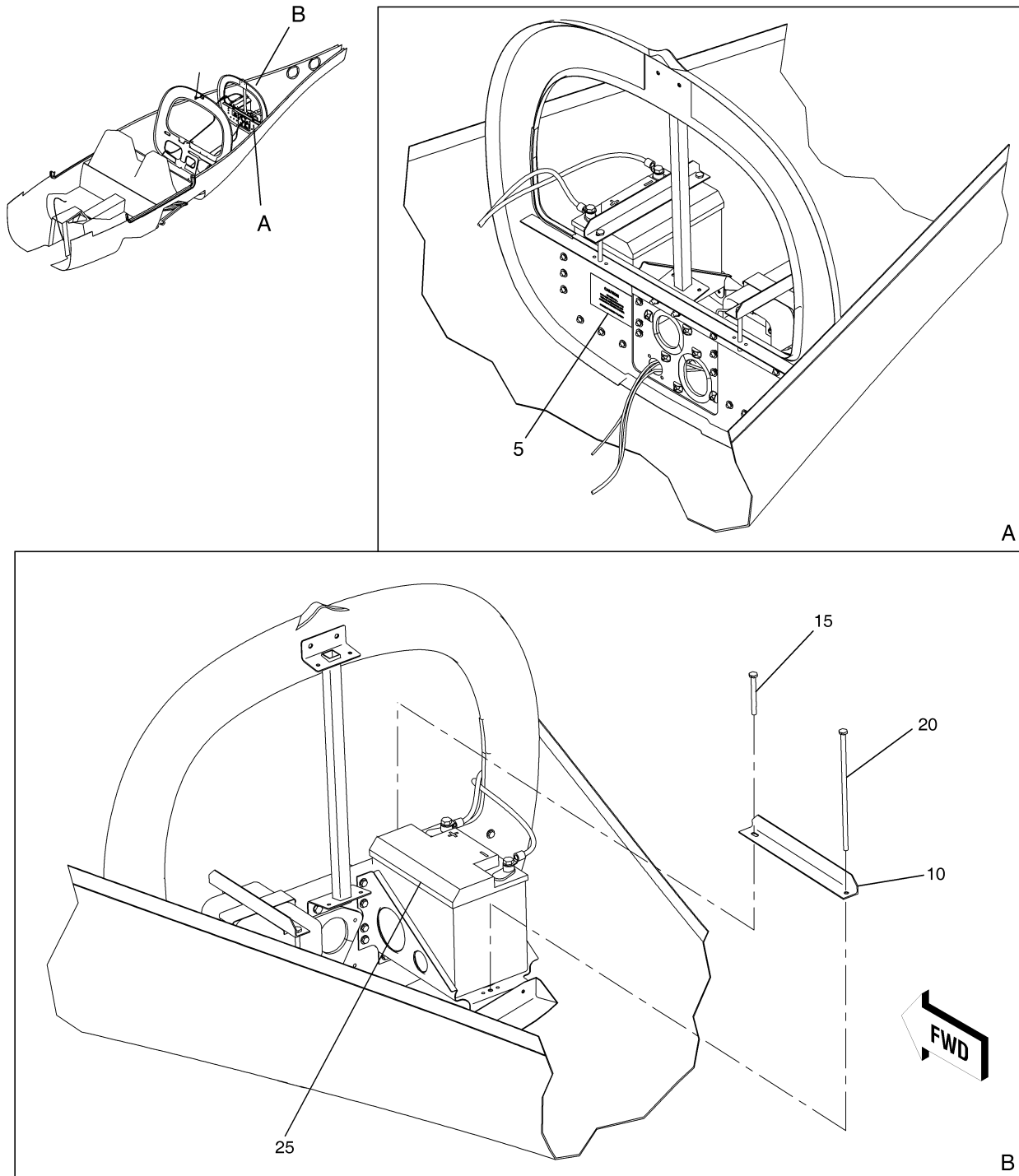
24-30-00

Page 1
NOV 1/07

LIBERTY AEROSPACE

135A-970-400

ILLUSTRATED PARTS CATALOG



LBTY_243000_01_01_C00

IPL Figure 01
Battery Installation

Use or disclosure of this data is subject to restrictions on the Title Page of this document.

24-30-00

LIBERTY AEROSPACE

135A-970-400

ILLUSTRATED PARTS CATALOG

FIG. & ITEM	PART NUMBER	1234567 NOMENCLATURE	EFF CODE	UNITS PER ASSY
01				
- 1	135A-10-017	BATTERY INSTALLATION (FOR NHA SEE 03-00-00 FIG. 02) (FOR ADDITIONAL DETAILS SEE 25-60-00 FIG. 01)		REF
5	135A-08-305	. PLACARD (CAUTION 12 VOLTS)		1
10	135A-10-942	. BATTERY TIEDOWN, MAIN (ATTACHING PARTS)		1
15	AN4H-23A	. BOLT, 1/4-28		1
20	AN4H-73A	. BOLT, 1/4-28		1
		- - - * * * - - -		
25	RG-25	. BATTERY 12 VOLT		1

- ITEM NOT ILLUSTRATED

LIBERTY AEROSPACE

135A-970-400

ILLUSTRATED PARTS CATALOG

THIS PAGE INTENTIONALLY LEFT BLANK

Use or disclosure of this data is subject to restrictions on the Title Page of this document.

24-30-00

Page 4
NOV 1/07

LIBERTY AEROSPACE

135A-970-400

ILLUSTRATED PARTS CATALOG

DETAILED PARTS LIST

Use or disclosure of this data is subject to restrictions on the Title Page of this document.

24-60-00

Page 1
NOV 1/07

LIBERTY AEROSPACE

135A-970-400

ILLUSTRATED PARTS CATALOG

THIS PAGE INTENTIONALLY LEFT BLANK

Use or disclosure of this data is subject to restrictions on the Title Page of this document.

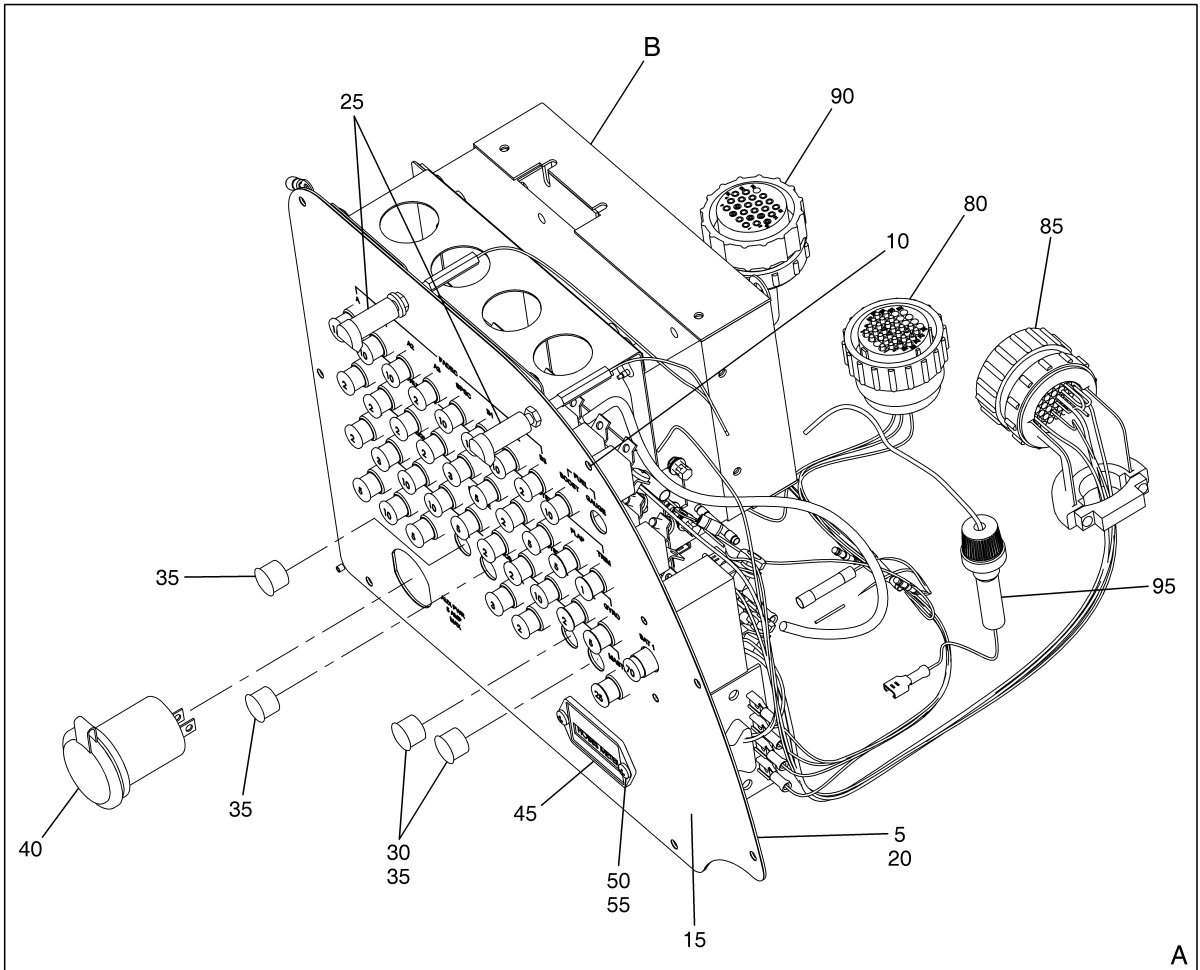
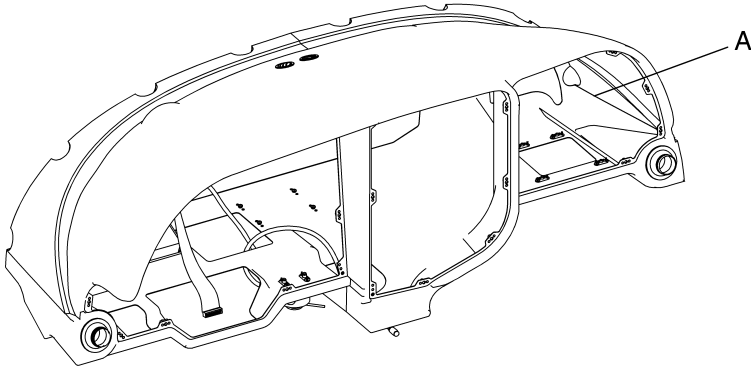
24-60-00

Page 2
NOV 1/07

LIBERTY AEROSPACE

135A-970-400

ILLUSTRATED PARTS CATALOG



LBTY_246000_01_01_C00

IPL Figure 01 (Sheet 1 of 2)
CB Panel Installation

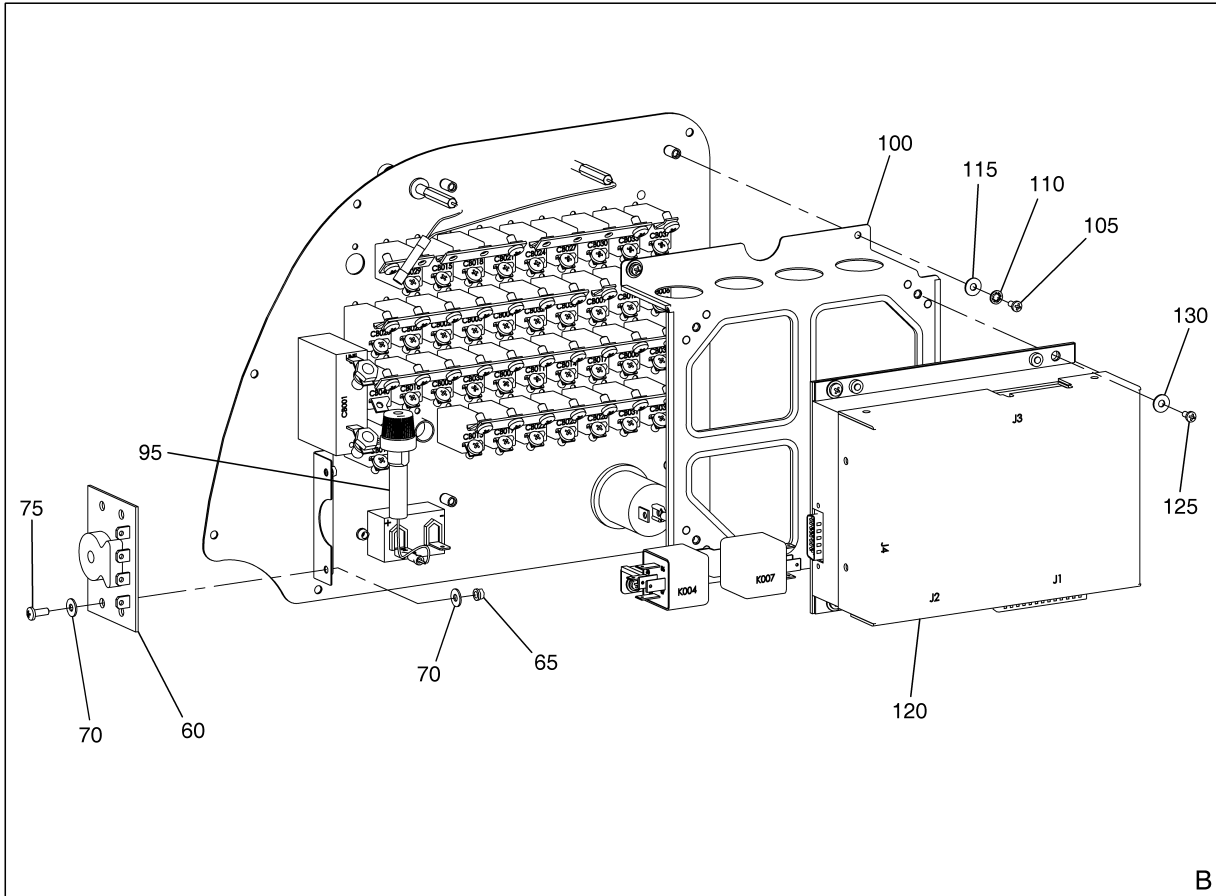
Use or disclosure of this data is subject to restrictions on the Title Page of this document.

24-60-00

LIBERTY AEROSPACE

135A-970-400

ILLUSTRATED PARTS CATALOG



LBTY_246000_01_02_C00

IPL Figure 01 (Sheet 2 of 2)
CB Panel Installation

Use or disclosure of this data is subject to restrictions on the Title Page of this document.

24-60-00

LIBERTY AEROSPACE

135A-970-400

ILLUSTRATED PARTS CATALOG

FIG. & ITEM	PART NUMBER	1234567 NOMENCLATURE	EFF CODE	UNITS PER ASSY
01				
- 1	135A-80-082	CB PANEL INSTALLATION (FOR NHA SEE 03-00-00 FIG. 01)		REF
5	135A-80-110	. CB PANEL ASSY (SEE NOTE 1)	A	1
5	135A-80-112	. CB PANEL ASSY (SEE NOTE 1)	B	1
		(ATTACHING PARTS)		
- 10	MS51957-45	. SCREW, PAN HEAD, 8-32 X .500	A,B	7

15	135A-80-303	. . LABEL, CB PANEL (GREY) (SEE NOTE 1)	A,B	1
15	135A-80-303	. . LABEL, CB PANEL (TAN) (SEE NOTE 1)	A,B	1
20	135A-80-206	. . CB PANEL ASSY	A,B	1
25	01-0770844-00	. . LIGHT, POST	A,B	2
30	2633	. . PLUG HEYCO DOME	A	2
35	2633	. . PLUG HEYCO DOME	B	4
40	12VRC	. . RECEPTACLE, 12 VOLT	A,B	1
45	98313	. . HOUR METER	A,B	1
		(ATTACHING PARTS)		
50	MS21043-06	. . NUT, SELF LOCKING, 6-32		2
55	MS51957-28	. . SCREW, PAN HEAD, 6-32 X .375		2

60	3010022	. . TRANSDUCER, AMPS	A,B	1
		(ATTACHING PARTS)		
65	MS21043-06	. . NUT, SELF LOCKING, 6-32		2
70	NAS1149CN632R	. . WASHER, FLAT		2
75	MS51957-28	. . SCREW, PAN HEAD, 6-32 X .375		2

80	135A-81-204	. . HARNESS, CB/P01	A,B	1
85	135A-81-208	. . HARNESS, CB/P02	A,B	1
90	135A-81-210	. . HARNESS, VM1000FX/P16	A,B	1
95	135A-81-318	. . FUSEHOLDER ASSY	A,B	1
100	135A-80-174	. . BRACKET ASSY, DPU	A,B	1
		(ATTACHING PARTS)		
105	MS51957-26	. . SCREW, PAN HEAD, 6-32 X .250		4
110	MS35333-37	. . LOCKWASHER, INTERNAL STAR No. 6		4
115	NAS1149CN632R	. . WASHER, FLAT		4

120	4010083	. . DATA PROCESSING UNIT, ENGINE INSTRUMENT DISPLAY	A,B	1
		(ATTACHING PARTS)		
125	MS51957-30	. . SCREW, PAN HEAD, 6-32 X .500		4
130	NAS1149CN632R	. . WASHER, FLAT		4

- ITEM NOT ILLUSTRATED

Use or disclosure of this data is subject to restrictions on the Title Page of this document.

LIBERTY AEROSPACE

135A-970-400

ILLUSTRATED PARTS CATALOG

FIG. & ITEM	PART NUMBER	1234567 NOMENCLATURE	EFF CODE	UNITS PER ASSY
01		NOTES: 1. CB PANEL ASSY AND LABEL COLOR VARY BY AIRCRAFT, REFER TO AIRCRAFT FLIGHT MANUAL, CUSTOMER PURCHASE ORDER OR THE PART NUMBER MARKED ON THE COMPONENT TO ORDER SPARES.		

- ITEM NOT ILLUSTRATED

LIBERTY AEROSPACE

135A-970-400

ILLUSTRATED PARTS CATALOG

DETAILED PARTS LIST

Use or disclosure of this data is subject to restrictions on the Title Page of this document.

25-10-00

Page 1
NOV 1/07

LIBERTY AEROSPACE

135A-970-400

ILLUSTRATED PARTS CATALOG

THIS PAGE INTENTIONALLY LEFT BLANK

Use or disclosure of this data is subject to restrictions on the Title Page of this document.

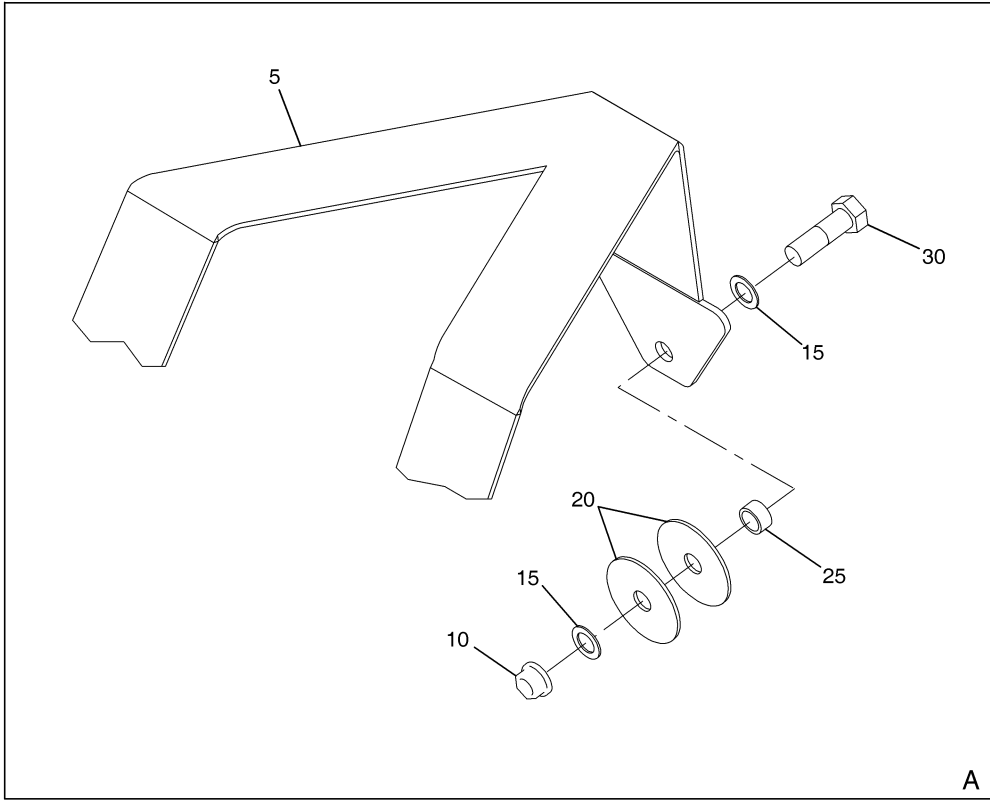
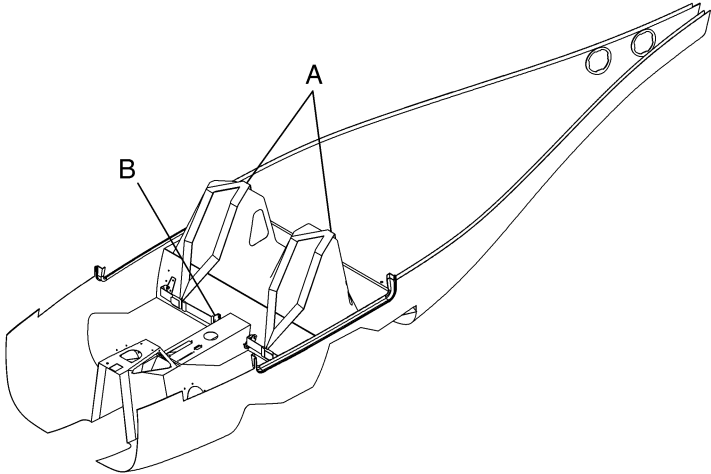
25-10-00

Page 2
NOV 1/07

LIBERTY AEROSPACE

135A-970-400

ILLUSTRATED PARTS CATALOG



LBTY_251000_01_01_C00

IPL Figure 01 (Sheet 1 of 2)
Seat Belt Assembly Installation

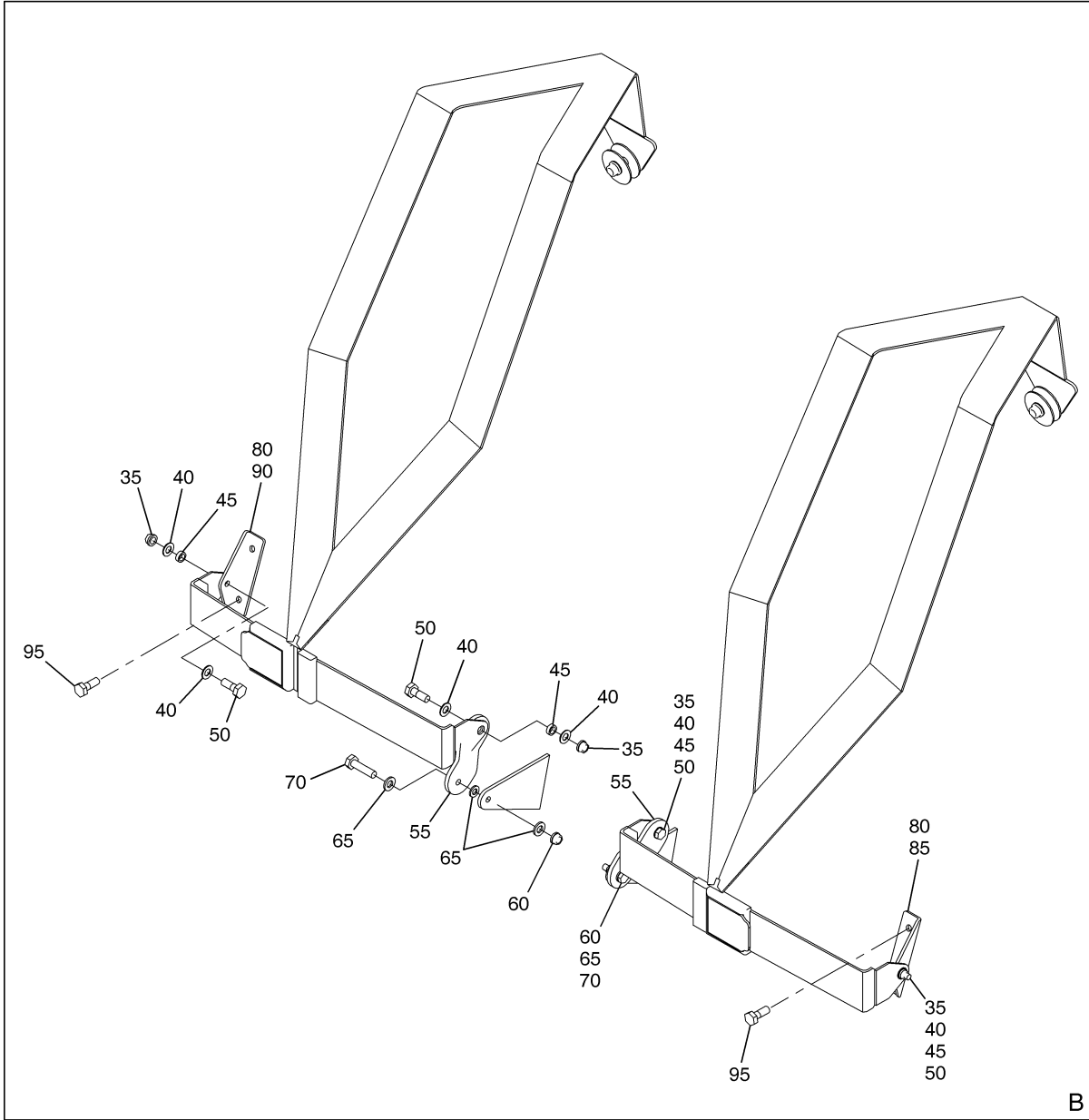
Use or disclosure of this data is subject to restrictions on the Title Page of this document.

25-10-00

LIBERTY AEROSPACE

135A-970-400

ILLUSTRATED PARTS CATALOG



LBTY_251000_01_02_C00

IPL Figure 01 (Sheet 2 of 2)
Seat Belt Assembly Installation

Use or disclosure of this data is subject to restrictions on the Title Page of this document.

25-10-00

LIBERTY AEROSPACE

135A-970-400

ILLUSTRATED PARTS CATALOG

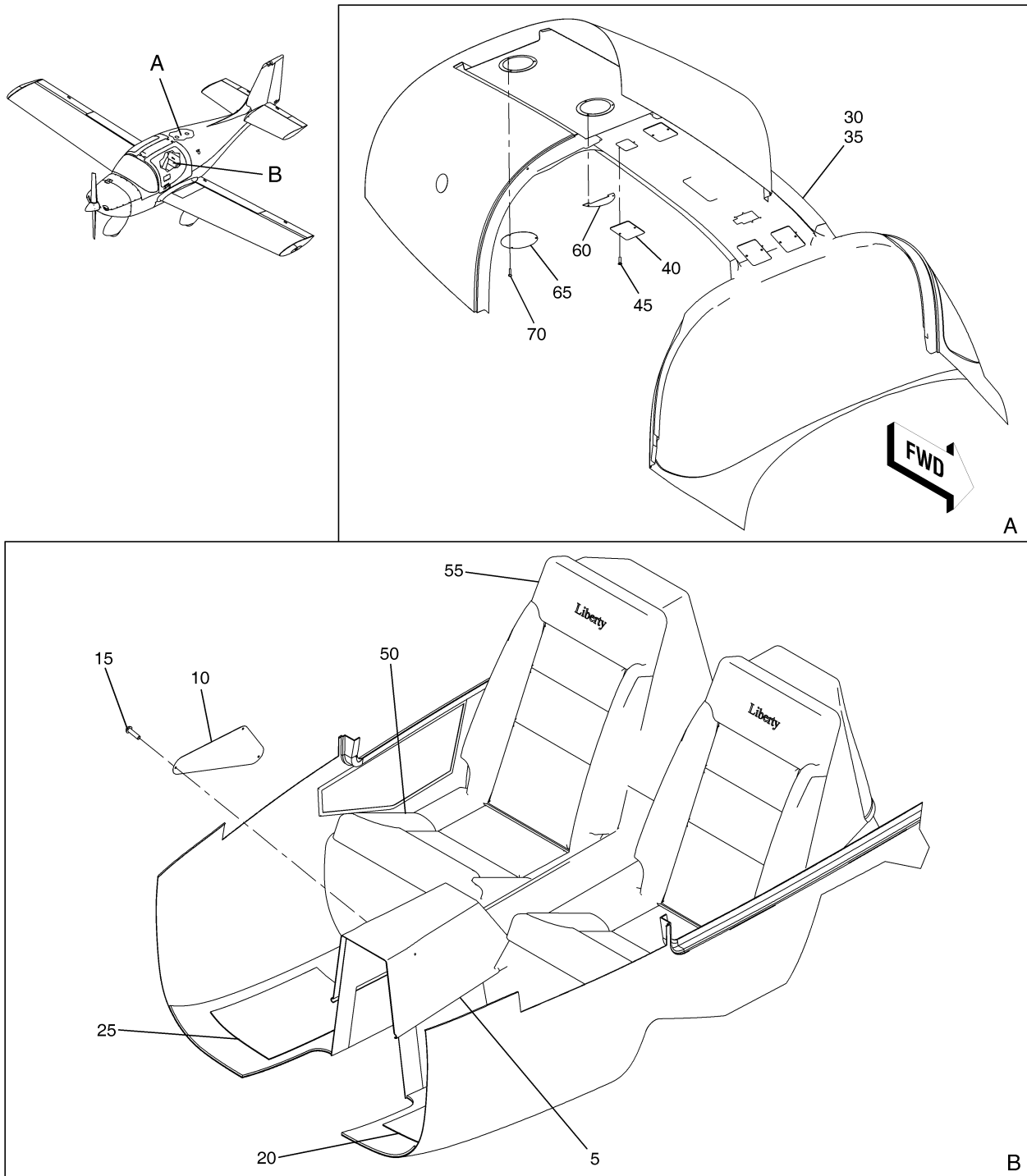
FIG. & ITEM	PART NUMBER	1234567 NOMENCLATURE	EFF CODE	UNITS PER ASSY
01				
- 1	135A-08-047	SEAT BELT ASSY INSTALLATION (FOR NHA SEE 03-00-00 FIG. 01)		REF
	5 JDA282847-GD-010	. SEAT BELT ASSY (ATTACHING PARTS)		2
	10 MS21042-6	. NUT, SELF LOCKING, 3/8"-24 UNJF-3B		1
	15 NAS1149F0632P	. WASHER, FLAT		2
	20 AN970C-6	. WASHER, FLAT		2
	25 135A-10-809	. DISTANCE TUBE, SEAT BELT AFT		1
	30 AN6C-12	. BOLT, 3/8-24		1
	35 MS21042-4	. NUT, SELF LOCKING, 1/4"-20		2
	40 NAS1149F0432P	. WASHER, FLAT		4
	45 135A-10-705	. DISTANCE TUBE, SEAT BELT		2
	50 AN4-5A	. BOLT, 1/4-28		2
		- - - * * * - - -		
	55 135A-10-745	. SEAT BELT BRACKET CENTER (ATTACHING PARTS)		2
	60 MS21042-4	. NUT, SELF LOCKING, 1/4"-20		1
	65 NAS1149F0463P	. WASHER, FLAT		3
	70 AN4C-10A	. BOLT, 1/4-28		1
		- - - * * * - - -		
- 75	135A-10-041	FUSELAGE TO SPACE FRAME (FOR NHA SEE 53-00-00 FIG. 01) (FOR ADDITIONAL DETAILS SEE 52-10-00 FIG. 01, 27-40-00 FIG. 01, 32-40-00 FIG. 01, 33-10-00 FIG. 01, AND 73-20-00 FIG. 01)		REF
- 80	135A-10-741	. PLATE, REINFORCEMENT		2
	85 135A-10-743	. BRACKET, SEATBELT, PORT		1
	90 135A-10-744	. BRACKET, SEATBELT, STBD (ATTACHING PARTS)		1
	95 AN4C-6A	. BOLT, 1/4-28		2
		- - - * * * - - -		

- ITEM NOT ILLUSTRATED

LIBERTY AEROSPACE

135A-970-400

ILLUSTRATED PARTS CATALOG



LBTY_251000_02_01_C00

IPL Figure 02
Basic Internal Trim (Grey)

Use or disclosure of this data is subject to restrictions on the Title Page of this document.

25-10-00

LIBERTY AEROSPACE

135A-970-400

ILLUSTRATED PARTS CATALOG

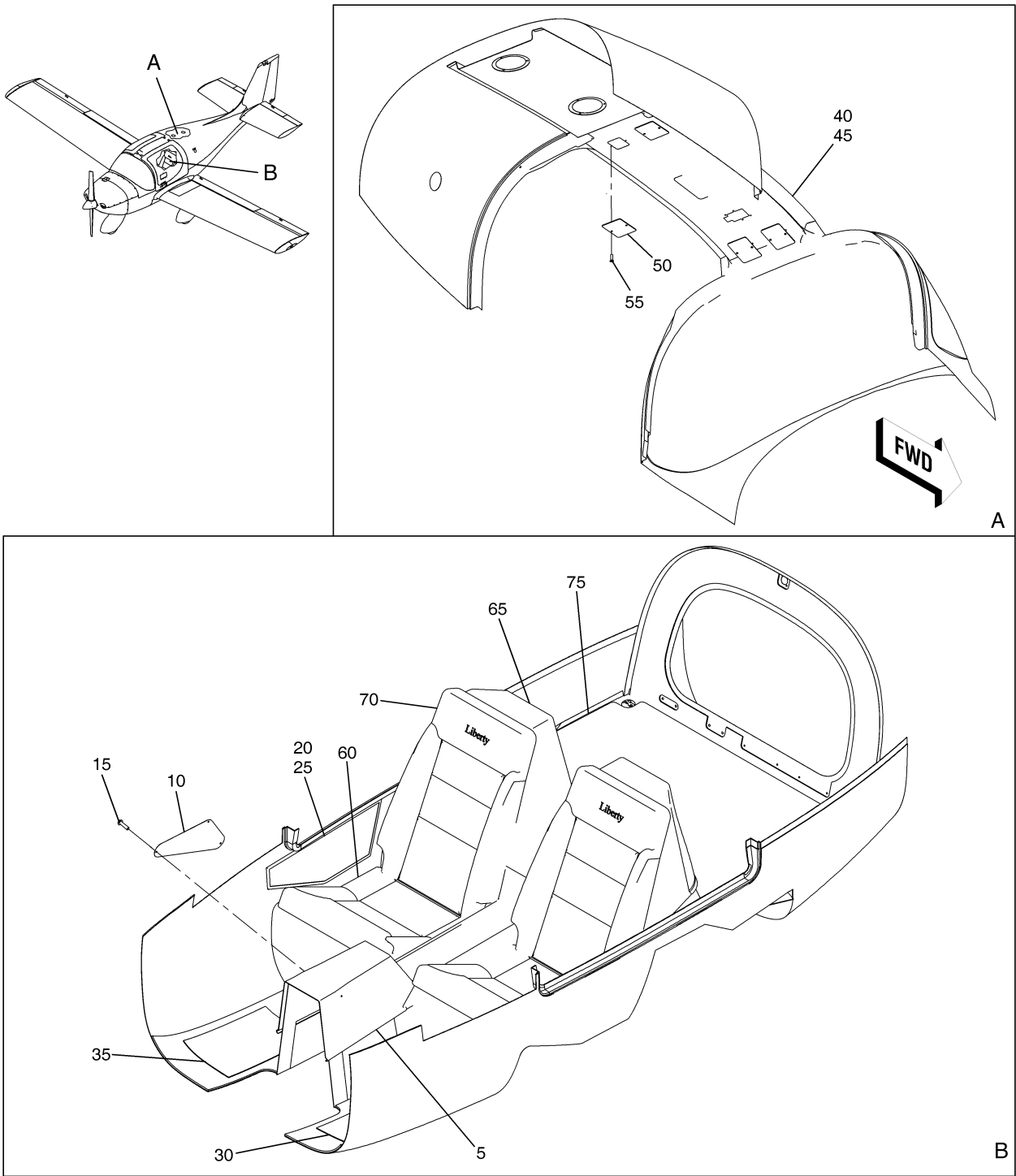
FIG. & ITEM	PART NUMBER	1234567 NOMENCLATURE	EFF CODE	UNITS PER ASSY
02				
- 1	135A-08-002	BASIC INTERNAL TRIM (GREY) (FOR NHA SEE 03-00-00 REF FIG. 01) (SEE NOTE 1)		REF
5	135A-08-102	. TRAY ASSY, CONSOLE		1
10	135A-08-364	. ACCESS PANEL, CONSOLE (ATTACHING PARTS)		1
15	MS51958-65	. SCREW, PAN HEAD, 10-32 -----		3
20	135A-08-367	. FLOOR MAT, PORT		1
25	135A-08-368	. FLOOR MAT, STBD		1
30	135A-08-380	. HEADLINER COVER, SHORT		1
35	135A-08-391	. HEADLINER FOAM, SHORT		1
40	135A-08-344	. COVER PLATE, DOOR HINGE (ATTACHING PARTS)		4
45	MS24693-C28	. SCREW, FLAT HEAD, 6-32 -----		2
50	135A-08-374	. CUSHION, SEAT BASE, LIGHTWEIGHT		2
55	135A-08-376	. CUSHION, SEAT BACK, LIGHTWEIGHT		2
60	135A-08-392	. ACCESS PANEL, HEADPHONE		1
65	135A-08-394	. ACCESS PANEL, ANTENNA (ATTACHING PARTS)		1
70	MS51957-16	. SCREW, PAN HEAD, 4-40 -----		3
		NOTES: 1. INTERNAL TRIM VARIES BY AIRCRAFT, REFER TO 25-10-00 FIG. 03, AIRCRAFT FLIGHT MANUAL, CUSTOMER PURCHASE ORDER, OR THE PART NUMBER MARKED ON THE COMPONENT TO ORDER SPARES.		

- ITEM NOT ILLUSTRATED

LIBERTY AEROSPACE

135A-970-400

ILLUSTRATED PARTS CATALOG



LBTY_251000_03_01_C00

IPL Figure 03
Deluxe Internal Trim

Use or disclosure of this data is subject to restrictions on the Title Page of this document.

25-10-00

LIBERTY AEROSPACE

135A-970-400

ILLUSTRATED PARTS CATALOG

FIG. & ITEM	PART NUMBER	1234567 NOMENCLATURE	EFF CODE	UNITS PER ASSY
03				
- 1	135A-08-008	DELUXE INTERNAL TRIM (FOR NHA SEE 03-00-00 FIG. 01) (BEIGE) (SEE NOTE 1)	A	REF
- 1	135A-08-009	DELUXE INTERNAL TRIM (FOR NHA SEE 03-00-00 FIG. 01) (GREY) (SEE NOTE 1)	B	REF
5	135A-08-101	. TRAY ASSY, CONSOLE (BEIGE)	A	1
5	135A-08-102	. TRAY ASSY, CONSOLE (GREY)	B	1
10	135A-08-360	. ACCESS PANEL, CONSOLE (BEIGE)	A	1
10	135A-08-364	. ACCESS PANEL, CONSOLE (GREY)	B	1
		(ATTACHING PARTS)		
15	MS51958-65	. SCREW, PAN HEAD, 10-32	A, B	3

- 20	135A-08-387	. CARPET, SIDEWALL PORT	B	1
25	135A-08-388	. CARPET, SIDEWALL STBD	B	1
30	135A-08-365	. FLOOR MAT, PORT (BEIGE)	A	1
30	135A-08-367	. FLOOR MAT, PORT (GREY)	B	1
35	135A-08-366	. FLOOR MAT, STBD (BEIGE)	A	1
35	135A-08-368	. FLOOR MAT, STBD (GREY)	B	1
40	135A-08-371	. HEADLINER COVER (BEIGE)	A	1
40	135A-08-372	. HEADLINER COVER (GREY)	B	1
45	135A-08-384	. HEADLINER FOAM	A, B	1
50	135A-08-345	. COVER PLATE, DOOR HINGE (BEIGE)	A	4
50	135A-08-344	. COVER PLATE, DOOR HINGE (GREY)	B	4
		(ATTACHING PARTS)		
55	MS24693-C28	. SCREW, FLAT HEAD, 6-32	A, B	2

60	135A-08-352	. CUSHION, SEAT BASE, LIGHTWEIGHT (BEIGE)	A	2
60	135A-08-374	. CUSHION, SEAT BASE, LIGHTWEIGHT (GREY)	B	2
65	135A-08-369	. COVER, SEAT BACK (BEIGE)	A	2
65	135A-08-370	. COVER, SEAT BACK (GREY)	B	2
70	135A-08-354	. CUSHION, SEAT BACK, LIGHTWEIGHT (BEIGE)	A	2
70	135A-08-376	. CUSHION, SEAT BACK, LIGHTWEIGHT (GREY)	B	2
75	135A-08-355	. CARPET, BAGGAGE BAY FLOOR (BEIGE)	A	1
75	135A-08-356	. CARPET, BAGGAGE BAY FLOOR (GREY)	B	1
		NOTES: 1. INTERNAL TRIM VARIES BY AIRCRAFT, REFER TO 25-10-00 FIG. 02, AIRCRAFT FLIGHT MANUAL, CUSTOMER PURCHASE ORDER, OR THE PART NUMBER MARKED ON THE COMPONENT TO ORDER SPARES.		

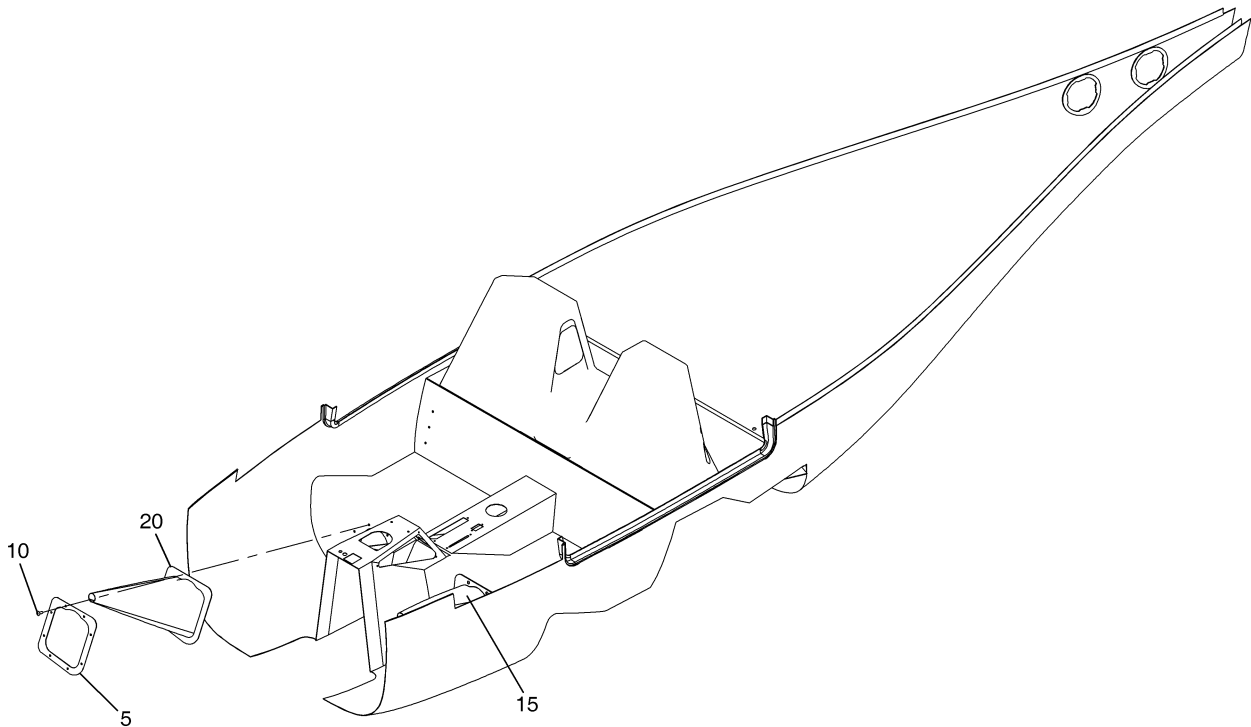
- ITEM NOT ILLUSTRATED

Use or disclosure of this data is subject to restrictions on the Title Page of this document.

LIBERTY AEROSPACE

135A-970-400

ILLUSTRATED PARTS CATALOG



LBTY_251000_04_01_C00

IPL Figure 04
Control Yoke Boot Installation

Use or disclosure of this data is subject to restrictions on the Title Page of this document.

25-10-00

Page 10
NOV 1/07

LIBERTY AEROSPACE

135A-970-400

ILLUSTRATED PARTS CATALOG

FIG. & ITEM	PART NUMBER	1234567 NOMENCLATURE	EFF CODE	UNITS PER ASSY
04				
- 1	135A-10-145	CONTROL YOKE BOOT INSTALLATION (FOR NHA SEE 03-00-00 FIG. 02)		REF
5	135A-10-873	. PLATE (ATTACHING PARTS)		2
10	AN526C-1032R8	. SCREW, MACHINE 10-32 -----*		8
15	135A-10-345	. BOOT, CONTROL COLUMN, PORT (GREY) (SEE NOTE 1)		1
15	135A-10-346	. BOOT, CONTROL COLUMN, PORT (BEIGE) (SEE NOTE 1)		1
20	135A-10-381	. BOOT, CONTROL COLUMN, STBD (GREY) (SEE NOTE 1)		1
20	135A-10-382	. BOOT, CONTROL COLUMN, STBD (BEIGE) (SEE NOTE 1)		1
		NOTES: 1. CONTROL COLUMN BOOT COLOR VARIES BY AIRCRAFT, REFER TO AIRCRAFT FLIGHT MANUAL, CUSTOMER PURCHASE ORDER OR THE PART NUMBER MARKED ON THE COMPONENT TO ORDER SPARES.		

- ITEM NOT ILLUSTRATED

LIBERTY AEROSPACE

135A-970-400

ILLUSTRATED PARTS CATALOG

THIS PAGE INTENTIONALLY LEFT BLANK

Use or disclosure of this data is subject to restrictions on the Title Page of this document.

25-10-00

Page 12
NOV 1/07

LIBERTY AEROSPACE

135A-970-400

ILLUSTRATED PARTS CATALOG

DETAILED PARTS LIST

Use or disclosure of this data is subject to restrictions on the Title Page of this document.

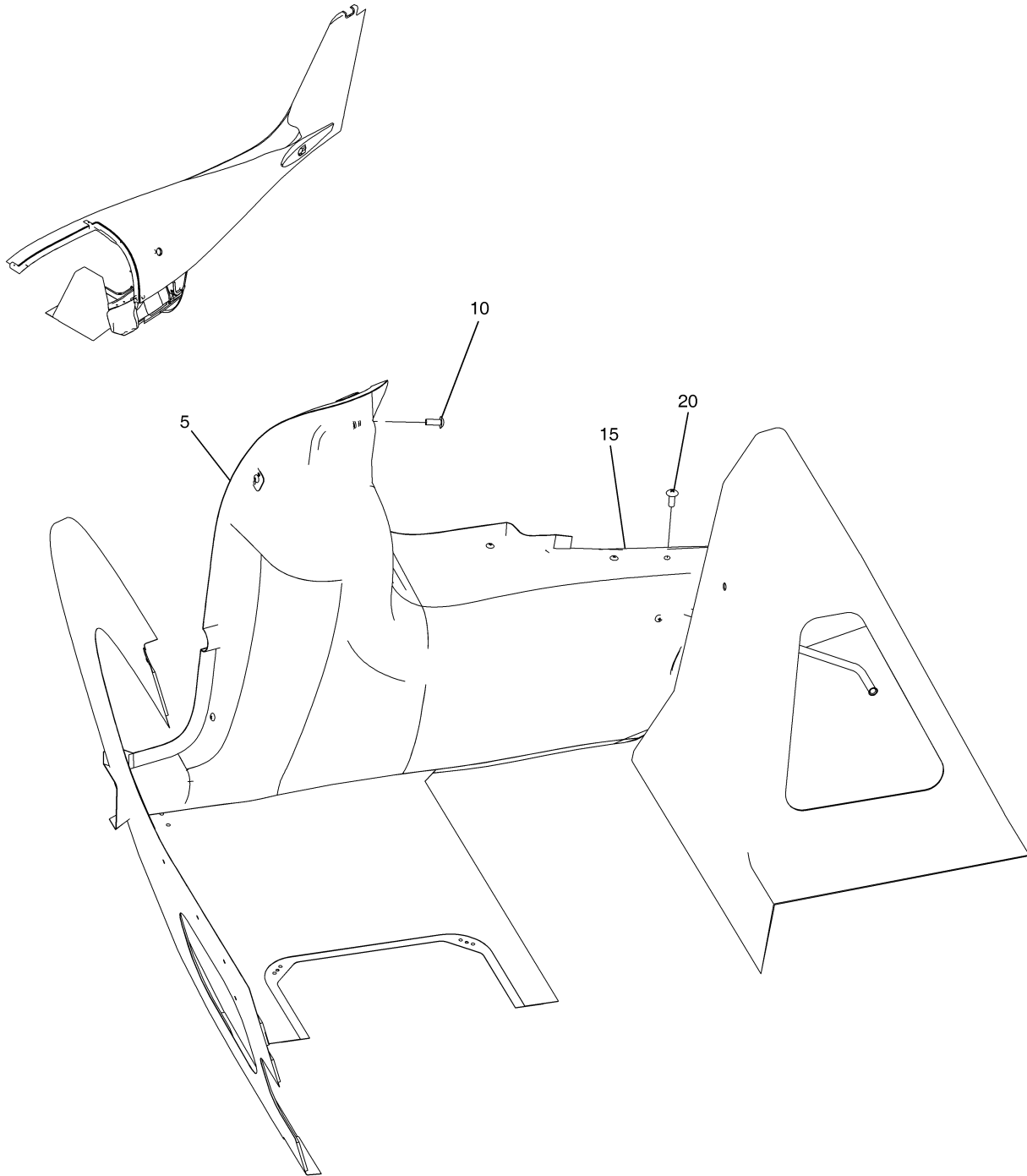
25-50-00

Page 1
NOV 1/07

LIBERTY AEROSPACE

135A-970-400

ILLUSTRATED PARTS CATALOG



LBTY_255000_01_01_C00

IPL Figure 01
Fuel Hose Cover Installation

Use or disclosure of this data is subject to restrictions on the Title Page of this document.

25-50-00

LIBERTY AEROSPACE

135A-970-400

ILLUSTRATED PARTS CATALOG

FIG. & ITEM	PART NUMBER	1234567 NOMENCLATURE	EFF CODE	UNITS PER ASSY
01				
- 1	135A-10-143	FUEL HOSE COVER INSTALLATION (FOR NHA SEE 03-00-00 FIG. 02)		REF
5	135A-10-377	. FUEL HOSE COVER (TAN) (SEE NOTE 1)		1
5	135A-10-378	. FUEL HOSE COVER (GREY) (SEE NOTE 1) (ATTACHING PARTS)		1
10	AN526C-1032R8	. SCREW, MACHINE 10-32 -----*		6
15	135A-10-379	. FUEL HOSE SIDE COVER ASSY (TAN) (SEE NOTE 1)		1
15	135A-10-380	. FUEL HOSE SIDE COVER ASSY (GREY) (SEE NOTE 1) (ATTACHING PARTS)		1
20	AN526C-1032R8	. SCREW, MACHINE 10-32 -----*		2
		NOTES: 1. FUEL HOSE COVERS VARY BY AIRCRAFT, REFER TO AIRCRAFT FLIGHT MANUAL, CUSTOMER PURCHASE ORDER OR THE PART NUMBER MARKED ON THE COMPONENT TO ORDER SPARES.		

- ITEM NOT ILLUSTRATED

LIBERTY AEROSPACE

135A-970-400

ILLUSTRATED PARTS CATALOG

THIS PAGE INTENTIONALLY LEFT BLANK

Use or disclosure of this data is subject to restrictions on the Title Page of this document.

25-50-00

Page 4
NOV 1/07

LIBERTY AEROSPACE

135A-970-400

ILLUSTRATED PARTS CATALOG

DETAILED PARTS LIST

Use or disclosure of this data is subject to restrictions on the Title Page of this document.

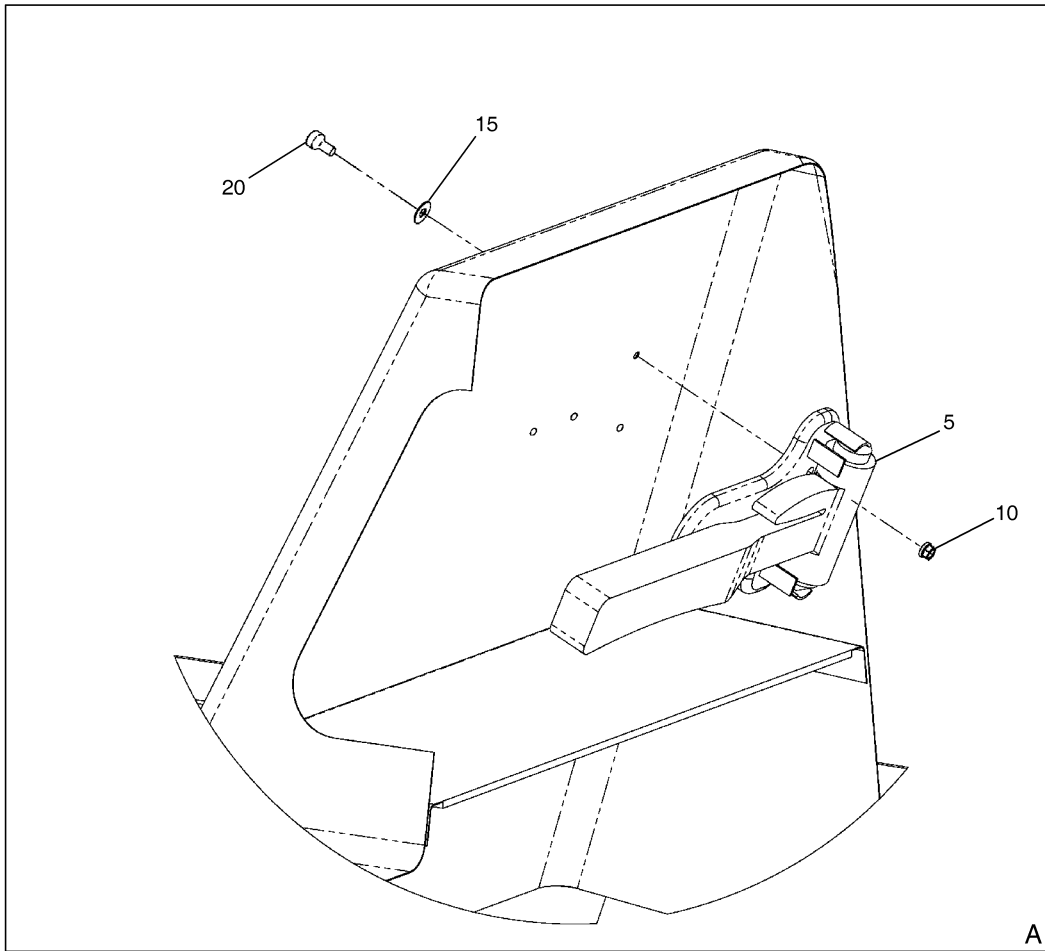
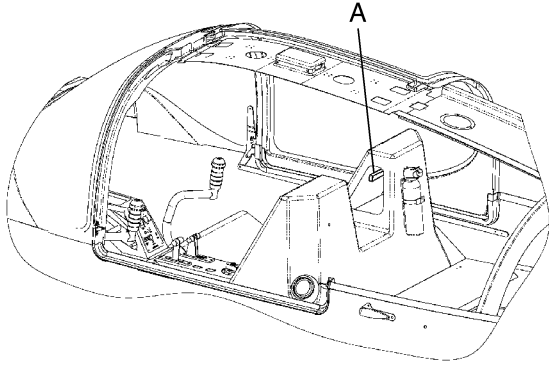
25-60-00

Page 1
NOV 1/07

LIBERTY AEROSPACE

135A-970-400

ILLUSTRATED PARTS CATALOG



LBTY_256000_01_01_C00

IPL Figure 01
Safety Hammer Installation

Use or disclosure of this data is subject to restrictions on the Title Page of this document.

25-60-00

LIBERTY AEROSPACE

135A-970-400

ILLUSTRATED PARTS CATALOG

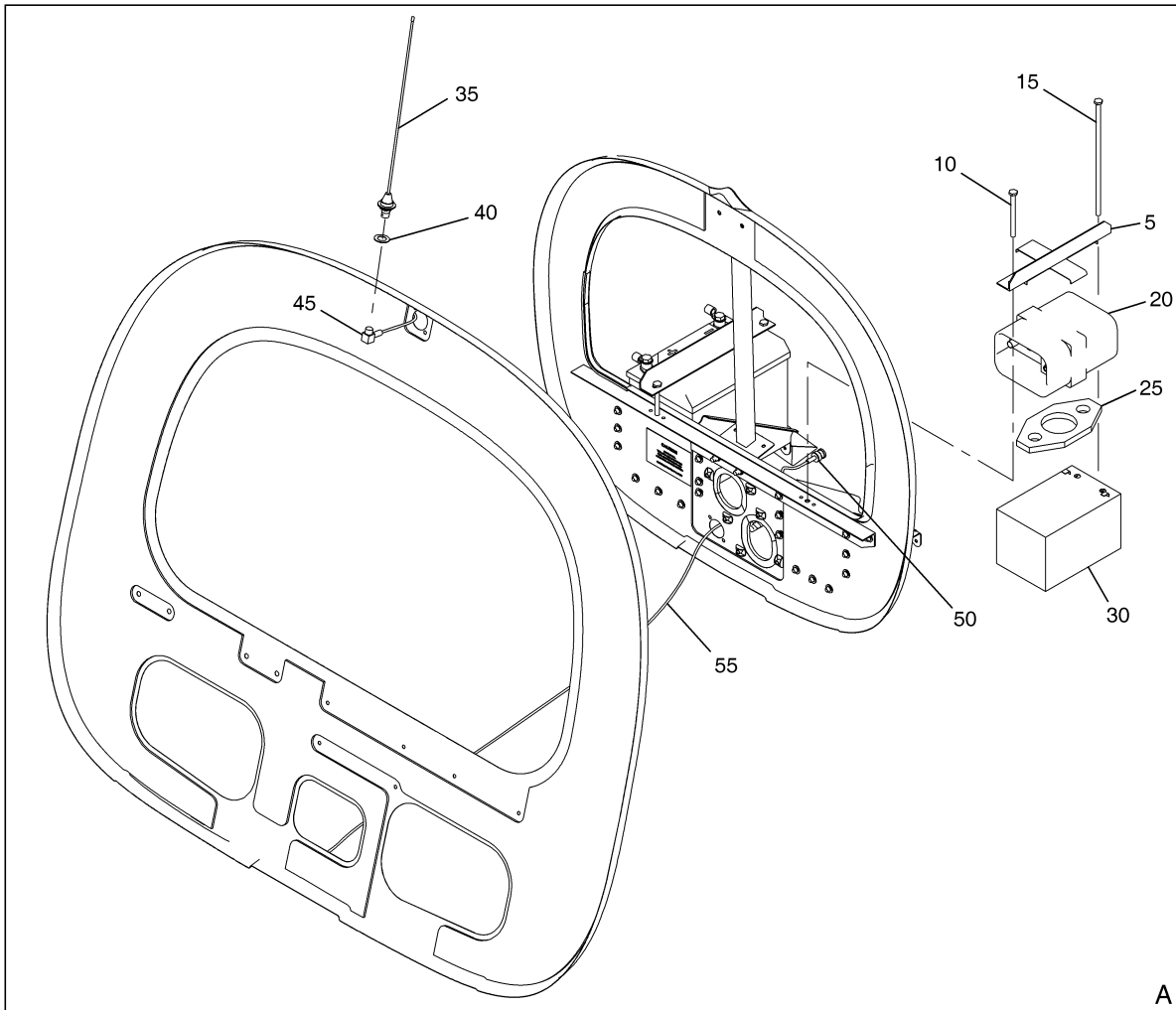
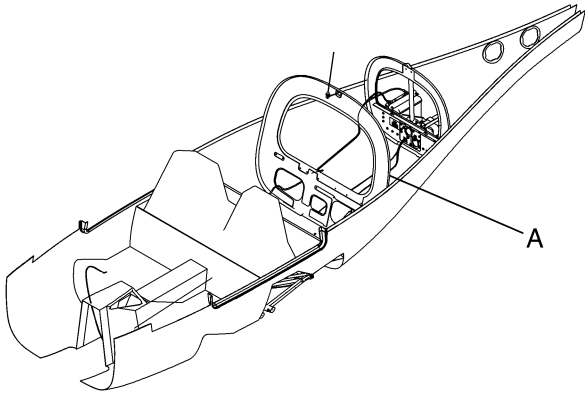
FIG. & ITEM	PART NUMBER	1234567 NOMENCLATURE	EFF CODE	UNITS PER ASSY
01				
- 1	135A-10-147	SAFETY HAMMER INSTALLATION (FOR NHA SEE 03-00-00 FIG. 02)		REF
5	21-919U	. EMERGENCY SAFETY HAMMER (ATTACHING PARTS)		1
10	MS21043-06	. NUT, SELF-LOCKING, 6-32		4
15	NAS1149CN616R	. WASHER, FLAT		4
20	MS51957-29	. SCREW, PAN HEAD, 6-32		4
		- - - * * * - - -		

- ITEM NOT ILLUSTRATED

LIBERTY AEROSPACE

135A-970-400

ILLUSTRATED PARTS CATALOG



LBTY_256000_02_01_C00

IPL Figure 02
ELT Battery Installation

Use or disclosure of this data is subject to restrictions on the Title Page of this document.

25-60-00

LIBERTY AEROSPACE

135A-970-400

ILLUSTRATED PARTS CATALOG

FIG. & ITEM	PART NUMBER	1234567 NOMENCLATURE	EFF CODE	UNITS PER ASSY
02				
- 1	135A-10-017	BATTERY INSTALLATION, ELT (FOR NHA SEE 03-00-00 FIG. 02) (FOR ADDITIONAL DETAILS SEE 24-30-00 FIG. 01)		REF
5	135A-10-175	. TIEDOWN ASSY, BACKUP BATTERY (ATTACHING PARTS)		1
10	AN4H-27A	. BOLT 1/4-28		1
15	AN4H-75A	. BOLT 1/4-28		1
		- - - * * * - - -		
20	AK-450	. ELT MAIN UNIT		1
25	135A-10-335	. BLOCK, RUBBER, ELT UNIT		1
30	656070	. BATTERY, BACKUP, 12 VOLT		1
35	450017-1	. ANTENNA, ELT		1
40	NAS1149C0832R	. WASHER		1
45	RFB-1110-1	. BNC MALE R/A CRIMP PLUG		1
50	225395-1	. BNC MALE CONNECTOR		1
55	M17-183-00001	. WIRE, SHIELDED		1

- ITEM NOT ILLUSTRATED

LIBERTY AEROSPACE

135A-970-400

ILLUSTRATED PARTS CATALOG

THIS PAGE INTENTIONALLY LEFT BLANK

Use or disclosure of this data is subject to restrictions on the Title Page of this document.

25-60-00

Page 6
NOV 1/07

LIBERTY AEROSPACE

135A-970-400

ILLUSTRATED PARTS CATALOG

DETAILED PARTS LIST

Use or disclosure of this data is subject to restrictions on the Title Page of this document.

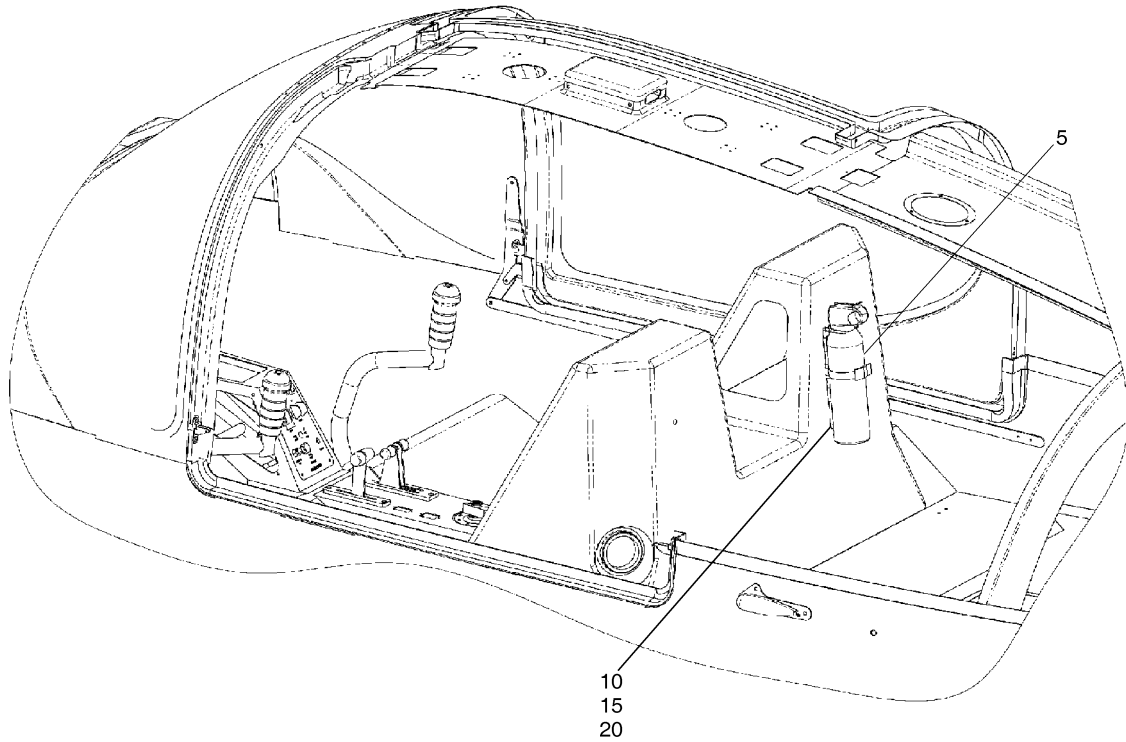
26-20-00

Page 1
NOV 1/07

LIBERTY AEROSPACE

135A-970-400

ILLUSTRATED PARTS CATALOG



LBTY_262000_01_01_C00

IPL Figure 01
Fire Extinguisher Installation

Use or disclosure of this data is subject to restrictions on the Title Page of this document.

26-20-00

Page 2
NOV 1/07

LIBERTY AEROSPACE

135A-970-400

ILLUSTRATED PARTS CATALOG

FIG. & ITEM	PART NUMBER	1234567 NOMENCLATURE	EFF CODE	UNITS PER ASSY
01				
- 1	135A-10-141	FIRE EXTINGUISHER INSTALLATION (FOR NHA SEE 03-00-00 FIG. 02)		REF
5	RT A600	. FIRE EXTINGUISHER ASSY (ATTACHING PARTS)		1
- 10	MS21043-4	. NUT, SELF-LOCKING, 1/4-28		2
- 15	5710-302-60	. WASHER, FLAT		2
- 20	AN4C6A	. BOLT, 1/4-28		2

- ITEM NOT ILLUSTRATED

Use or disclosure of this data is subject to restrictions on the Title Page of this document.

LIBERTY AEROSPACE

135A-970-400

ILLUSTRATED PARTS CATALOG

THIS PAGE INTENTIONALLY LEFT BLANK

Use or disclosure of this data is subject to restrictions on the Title Page of this document.

26-20-00

Page 4
NOV 1/07

LIBERTY AEROSPACE

135A-970-400

ILLUSTRATED PARTS CATALOG

DETAILED PARTS LIST

Use or disclosure of this data is subject to restrictions on the Title Page of this document.

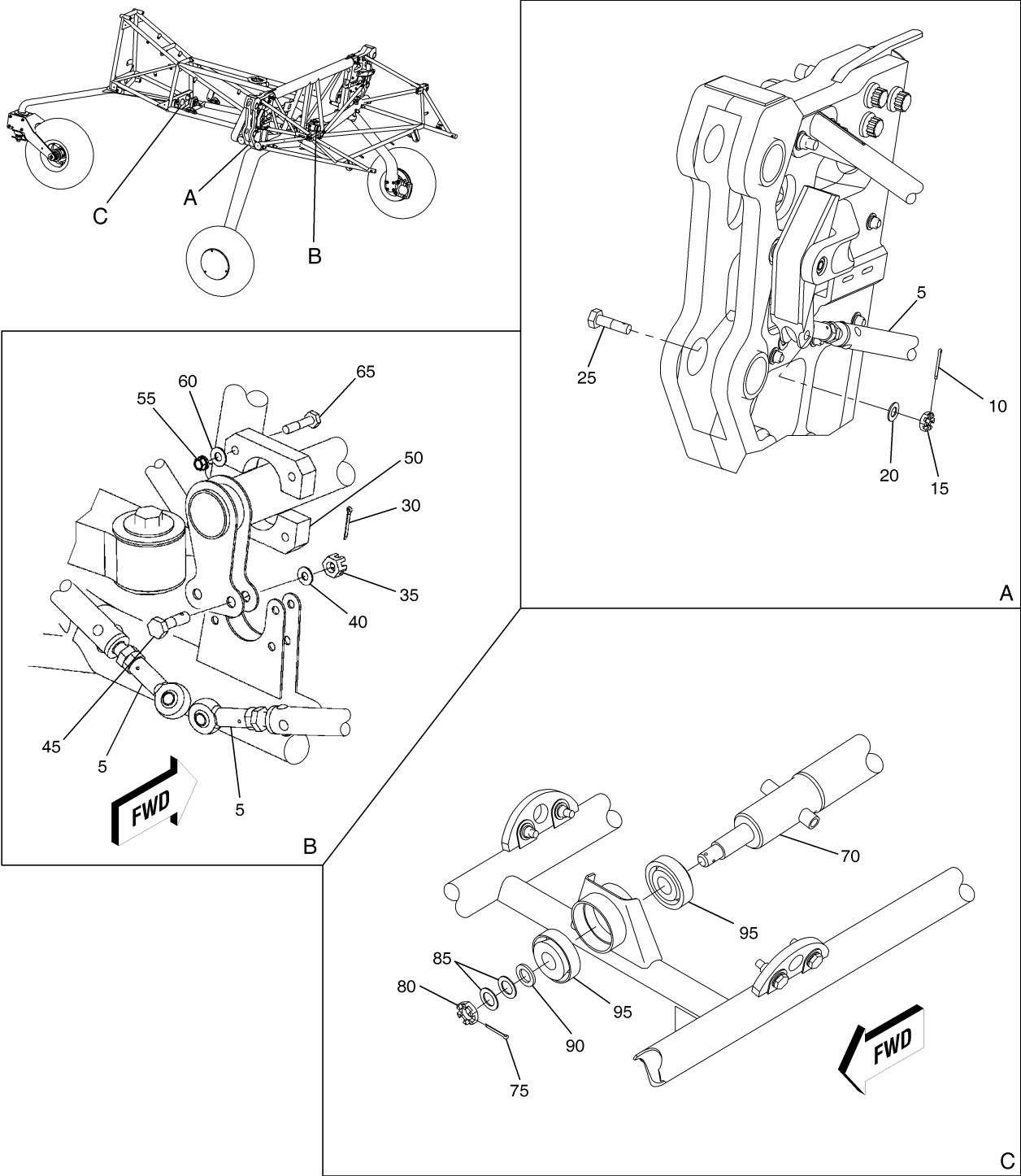
27-10-00

Page 1
NOV 1/07

LIBERTY AEROSPACE

135A-970-400

ILLUSTRATED PARTS CATALOG



LBTY_271000_01_01_C00

IPL Figure 01
Aileron Torque Tubes

Use or disclosure of this data is subject to restrictions on the Title Page of this document.

27-10-00

LIBERTY AEROSPACE

135A-970-400

ILLUSTRATED PARTS CATALOG

FIG. & ITEM	PART NUMBER	1234567 NOMENCLATURE	EFF CODE	UNITS PER ASSY
01				
- 1	135A-10-068	SPACEFRAME AND AILERON TORQUE TUBES (FOR NHA SEE 32-40-00 FIG. 01)		REF
5	135A-45-233	. PUSH ROD LADDER, AILERON (ATTACHING PARTS)		2
10	MS24665-134	. PIN, SPLIT, 1/16 X 3/4		2
15	MS17826-4	. NUT, CASTELLATED, SELF-LOCKING, 1/4, R/H		2
20	NAS1149F0432P	. WASHER, FLAT		2
25	AN4-7	. BOLT, 1/4 X 28		2
30	MS24665-134	. PIN, SPLIT, 1/16 X 3/4		2
35	MS17825-4	. NUT, CASTELLATED, SELF-LOCKING, 1/4-28, R/H		2
40	NAS1149F0432P	. WASHER, FLAT		2
45	AN4-7	. BOLT, 1/4 X 28		2

50	135A-45-409	. HALF BEARING, TORQUE TUBE, AILERON (ATTACHING PARTS)		2
55	MS21042-3	. NUT, SELF-LOCKING, 10-32		4
60	NAS1149F0332P	. WASHER, FLAT		4
65	AN3-7A	. BOLT, 10-32		4

70	135A-45-231	. WELDMENT, TORQUE TUBE, AILERON (ATTACHING PARTS)		1
75	MS24665-134	. PIN, SPLIT, 1/16 X 3/4		1
80	MS17826-6	. NUT, CASTELLATED, SELF-LOCKING, 3/8, R/H		1
85	NAS1149C0632R	. WASHER, FLAT (SEE NOTE 1)		2
90	NAS1149C0663R	. WASHER, FLAT		1
95	A4050-A4138	. BEARING, ROLLER, TAPERED		2

		NOTES: 1. A QUANTITY OF 1 TO 3 WASHERS MAY BE USED FOR BEST FIT.		

- ITEM NOT ILLUSTRATED

LIBERTY AEROSPACE

135A-970-400

ILLUSTRATED PARTS CATALOG

THIS PAGE INTENTIONALLY LEFT BLANK

Use or disclosure of this data is subject to restrictions on the Title Page of this document.

27-10-00

Page 4
NOV 1/07

LIBERTY AEROSPACE

135A-970-400

ILLUSTRATED PARTS CATALOG

DETAILED PARTS LIST

Use or disclosure of this data is subject to restrictions on the Title Page of this document.

27-20-00

Page 1
NOV 1/07

LIBERTY AEROSPACE

135A-970-400

ILLUSTRATED PARTS CATALOG

THIS PAGE INTENTIONALLY LEFT BLANK

Use or disclosure of this data is subject to restrictions on the Title Page of this document.

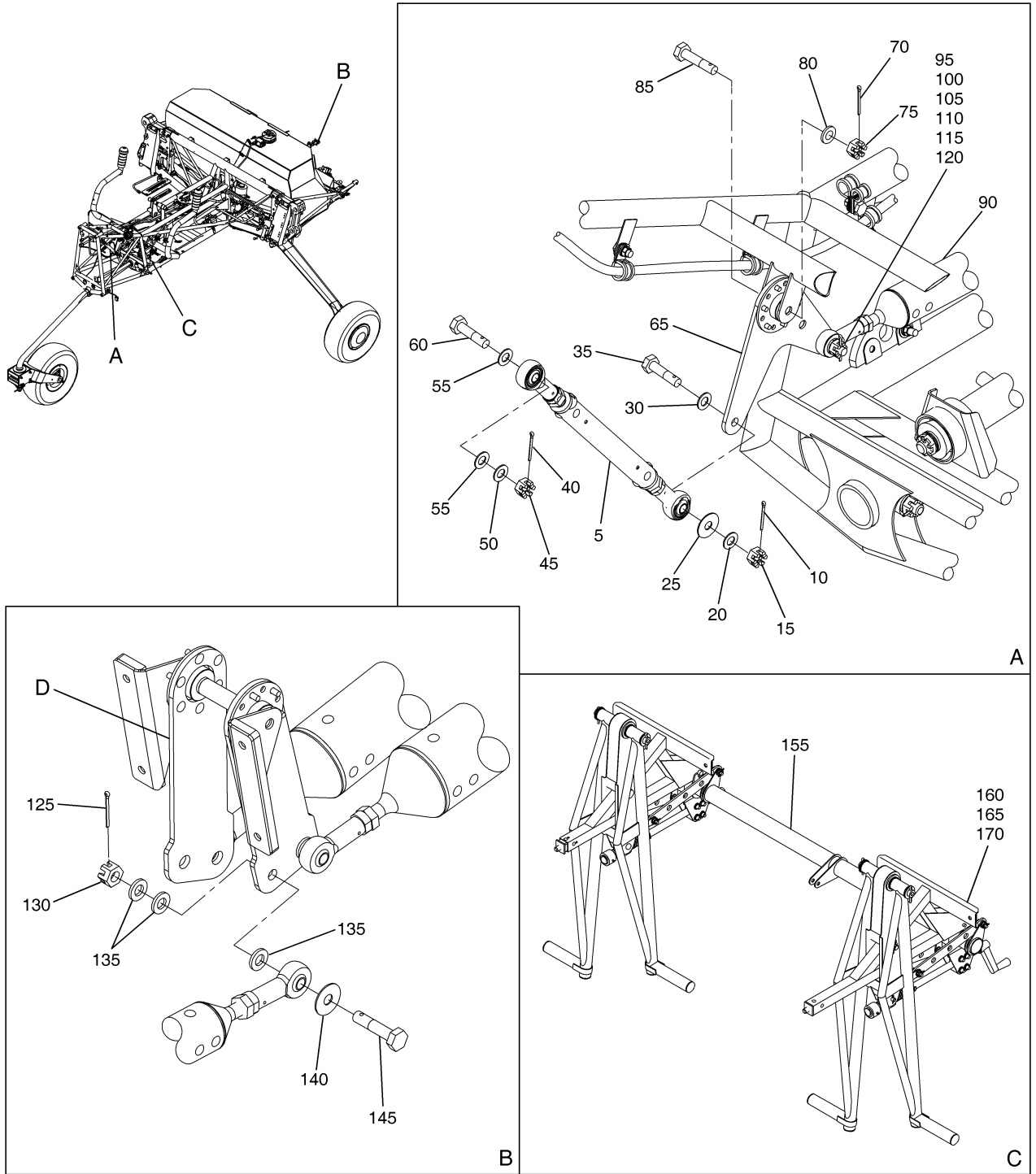
27-20-00

Page 2
NOV 1/07

LIBERTY AEROSPACE

135A-970-400

ILLUSTRATED PARTS CATALOG



LBTY_272000_01_01_C00

IPL Figure 01 (Sheet 1 of 2)
Rudder System

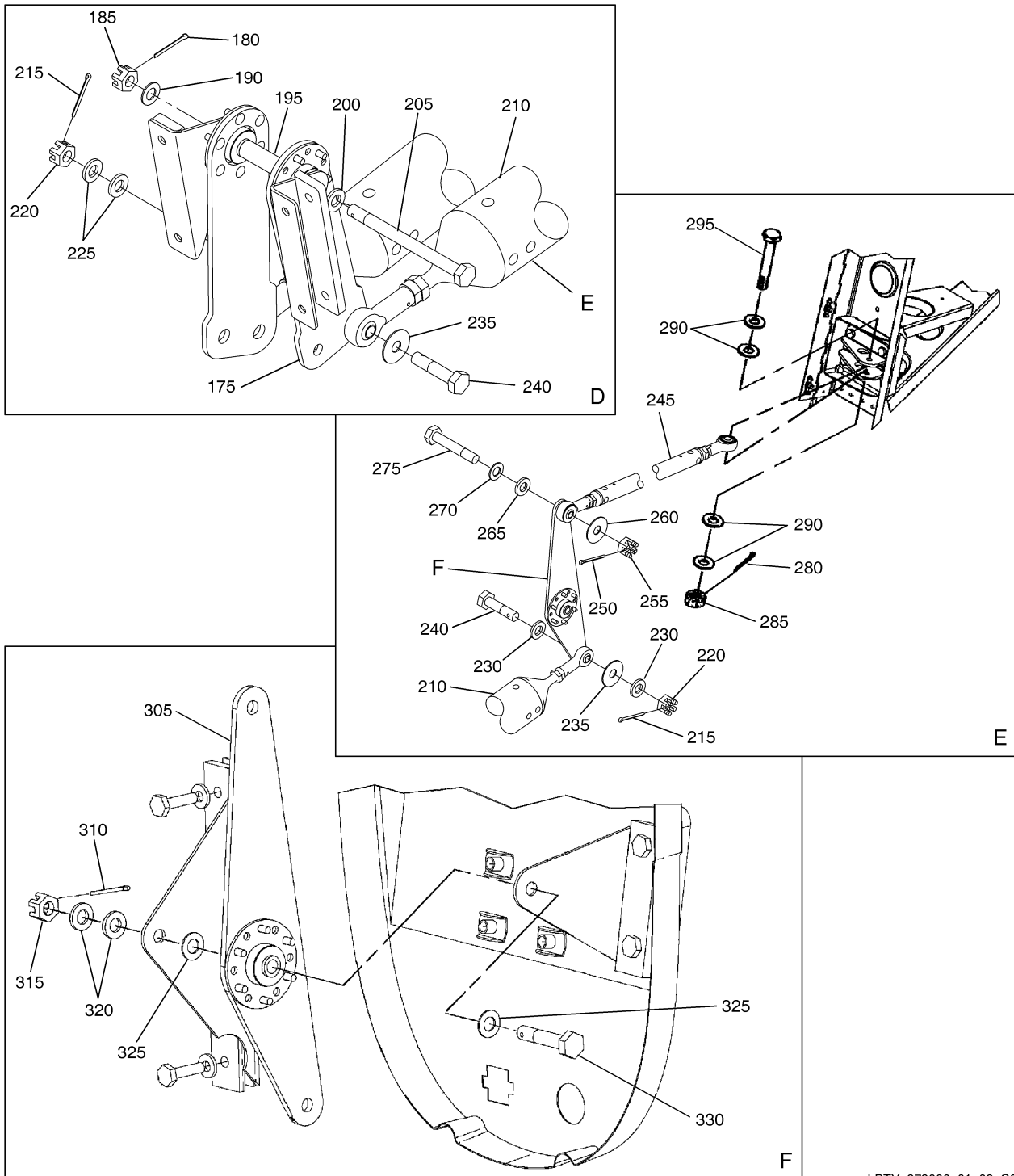
Use or disclosure of this data is subject to restrictions on the Title Page of this document.

27-20-00

LIBERTY AEROSPACE

135A-970-400

ILLUSTRATED PARTS CATALOG



LBTY_272000_01_02_C00

IPL Figure 01 (Sheet 2 of 2)
Rudder System

Use or disclosure of this data is subject to restrictions on the Title Page of this document.

27-20-00

LIBERTY AEROSPACE

135A-970-400

ILLUSTRATED PARTS CATALOG

FIG. & ITEM	PART NUMBER	1234567 NOMENCLATURE	EFF CODE	UNITS PER ASSY
01				
- 1	135A-10-047	SPACE FRAME, FLAP SYSTEM (FOR NHA SEE 24-00-00 FIG. 01) (FOR ADDITIONAL DETAILS SEE 27-50-00 FIG. 01 AND 73-20-00 FIG. 01)		REF
5	135A-45-243	. PUSH-ROD, RUDDER, INPUT (ATTACHING PARTS)		1
10	MS24665-153	. PIN, SPLIT, 1/16 X 3/4		1
15	MS17825-4	. NUT, CASTLE, SELF-LOCKING, 1/4-28		1
20	NAS1149F0463P	. WASHER, FLAT		1
25	5710-58-30	. WASHER, FLAT		1
30	NAS1149F0432P	. WASHER, FLAT		1
35	AN4-10	. BOLT, 1/4-28		1
40	MS24665-153	. PIN, SPLIT, 1/16 X 3/4 (SEE NOTE 1)		1
45	MS17825-4	. NUT, CASTLE, SELF-LOCKING, 1/4-28 (SEE NOTE 1)		1
50	NAS1149F0432P	. WASHER, FLAT (SEE NOTE 1)		1
55	NAS1149F0463P	. WASHER, FLAT (SEE NOTE 1)		2
60	AN4-10	. BOLT, 1/4-28 (SEE NOTE 1)		1

65	135A-45-261	. BELLCRANK, RUDDER, FWD (ATTACHING PARTS)		1
70	MS24665-153	. PIN, SPLIT, 1/16 X 3/4		1
75	MS17825-4	. NUT, CASTLE, SELF-LOCKING, 1/4-28		1
80	NAS1149F0432P	. WASHER, FLAT		2
85	AN4-11	. BOLT, 1/4-28		1

90	135A-45-245	. PUSH-ROD, RUDDER, FWD (ATTACHING PARTS)		1
95	MS24665-153	. PIN, SPLIT, 1/16 X 3/4		1
100	MS17825-4	. NUT, CASTLE, SELF-LOCKING, 1/4-28		1
- 105	NAS1149F0463P	. WASHER, FLAT		1
- 110	5710-58-30	. WASHER, FLAT		1
- 115	NAS1149F0432P	. WASHER, FLAT		1
- 120	AN4-10	. BOLT, 1/4-28		1
125	MS24665-153	. PIN, SPLIT, 1/16 X 3/4 (SEE NOTE 1)		1
130	MS17825-4	. NUT, CASTLE, SELF-LOCKING, 1/4-28 (SEE NOTE 1)		1
135	NAS1149F0463P	. WASHER, FLAT (SEE NOTE 1)		3
140	5710-58-30	. WASHER, FLAT (SEE NOTE 1)		1
145	AN4-11	. BOLT, 1/4-28 (SEE NOTE 1)		1

- 150	135A-10-103	FUSELAGE, BASIC AND HARDWARE (FOR NHA SEE 24-00-00 FIG. 01) (FOR ADDITIONAL DETAILS SEE 24-00-00 FIG. 01, 27-40-00 FIG. 01, 53-00-00 FIG. 01 AND 56-10-00 FIG. 01)		REF
155	135A-45-011	. PEDAL ASSEMBLY, RUDDER		1

- ITEM NOT ILLUSTRATED

Use or disclosure of this data is subject to restrictions on the Title Page of this document.

27-20-00

LIBERTY AEROSPACE

135A-970-400

ILLUSTRATED PARTS CATALOG

FIG. & ITEM	PART NUMBER	1234567 NOMENCLATURE	EFF CODE	UNITS PER ASSY
01				
		(ATTACHING PARTS)		
- 160	MS21043-4	. NUT, CASTLE, SELF-LOCKING, 1/4-28		4
- 165	NAS1149C0416R	. WASHER, FLAT		12
- 170	AN4C-5A	. BOLT, 1/4-28		4

175	135A-45-267	. IDLER, RUDDER, MID FUSELAGE		1
		(ATTACHING PARTS)		
180	MS24665-153	. PIN, SPLIT, 1/16 X 3/4		1
185	MS17825-4	. NUT, CASTLE, SELF-LOCKING, 1/4-28		1
190	NAS1149F0432P	. WASHER, FLAT		1
195	135A-45-599	. DISTANCE TUBE, IDLER, MID FUSELAGE		1
200	NAS1149F0463P	. WASHER, FLAT		1
205	AN4-31	. BOLT, 1/4-28		1

210	135A-45-247	. PUSH-ROD, RUDDER, INTERMEDIATE		1
		(ATTACHING PARTS)		
215	MS24665-153	. PIN, SPLIT, 1/16 X 3/4		2
220	MS17825-4	. NUT, CASTLE, SELF-LOCKING, 1/4-28		2
225	NAS1149F0463P	. WASHER, FLAT		3
230	NAS1149F0463P	. WASHER, FLAT		2
235	5710-58-30	. WASHER, FLAT		2
240	AN4-11	. BOLT, 1/4-28		2

245	135A-45-249	. PUSH-ROD, RUDDER, AFT		1
		(ATTACHING PARTS)		
250	MS24665-153	. PIN, SPLIT, 1/16 X 3/4		1
255	MS17825-4	. NUT, CASTLE, SELF-LOCKING, 1/4-28		1
260	5710-58-30	. WASHER, FLAT		1
265	NAS1149F0463P	. WASHER, FLAT		1
270	NAS1149F0432P	. WASHER, FLAT		1
275	AN4-10	. BOLT, 1/4-28		1
280	MS24665-134	. PIN, SPLIT, 1/16 X 3/4 (SEE NOTE 2)		1
285	MS17825-4	. NUT, CASTLE, SELF-LOCKING, 1/4-28 (SEE NOTE 2)		1
290	NAS1149F0463P	. WASHER, FLAT (SEE NOTE 2)		4
295	AN4-12	. BOLT, 1/4-28 (SEE NOTE 2)		1

- 300	135A-10-105	. FUSELAGE ASSEMBLY (FOR ADDITIONAL DETAILS SEE 27-40-00 FIG. 01)		1
305	135A-45-265	. . BELLCRANK, RUDDER, AFT		1
		(ATTACHING PARTS)		
310	MS24665-153	. . PIN, SPLIT, 1/16 X 3/4		1
315	MS17825-4	. . NUT, CASTLE, SELF-LOCKING, 1/4-28		1
320	NAS1149F0463P	. . WASHER, FLAT		2

- ITEM NOT ILLUSTRATED

Use or disclosure of this data is subject to restrictions on the Title Page of this document.

27-20-00

LIBERTY AEROSPACE

135A-970-400

ILLUSTRATED PARTS CATALOG

FIG. & ITEM	PART NUMBER	1234567 NOMENCLATURE	EFF CODE	UNITS PER ASSY
01				
325	NAS1149F0432P	.. WASHER, FLAT		2
330	AN4-12	.. BOLT, 1/4-28		1
		-----*		
		NOTES:		
		1. FOR NHA SEE 135A-10-041.		
		2. FOR NHA SEE 135A-10-035.		

- ITEM NOT ILLUSTRATED

Use or disclosure of this data is subject to restrictions on the Title Page of this document.

LIBERTY AEROSPACE

135A-970-400

ILLUSTRATED PARTS CATALOG

THIS PAGE INTENTIONALLY LEFT BLANK

Use or disclosure of this data is subject to restrictions on the Title Page of this document.

27-20-00

Page 8
NOV 1/07

LIBERTY AEROSPACE

135A-970-400

ILLUSTRATED PARTS CATALOG

DETAILED PARTS LIST

Use or disclosure of this data is subject to restrictions on the Title Page of this document.

27-40-00

Page 1
NOV 1/07

LIBERTY AEROSPACE

135A-970-400

ILLUSTRATED PARTS CATALOG

THIS PAGE INTENTIONALLY LEFT BLANK

Use or disclosure of this data is subject to restrictions on the Title Page of this document.

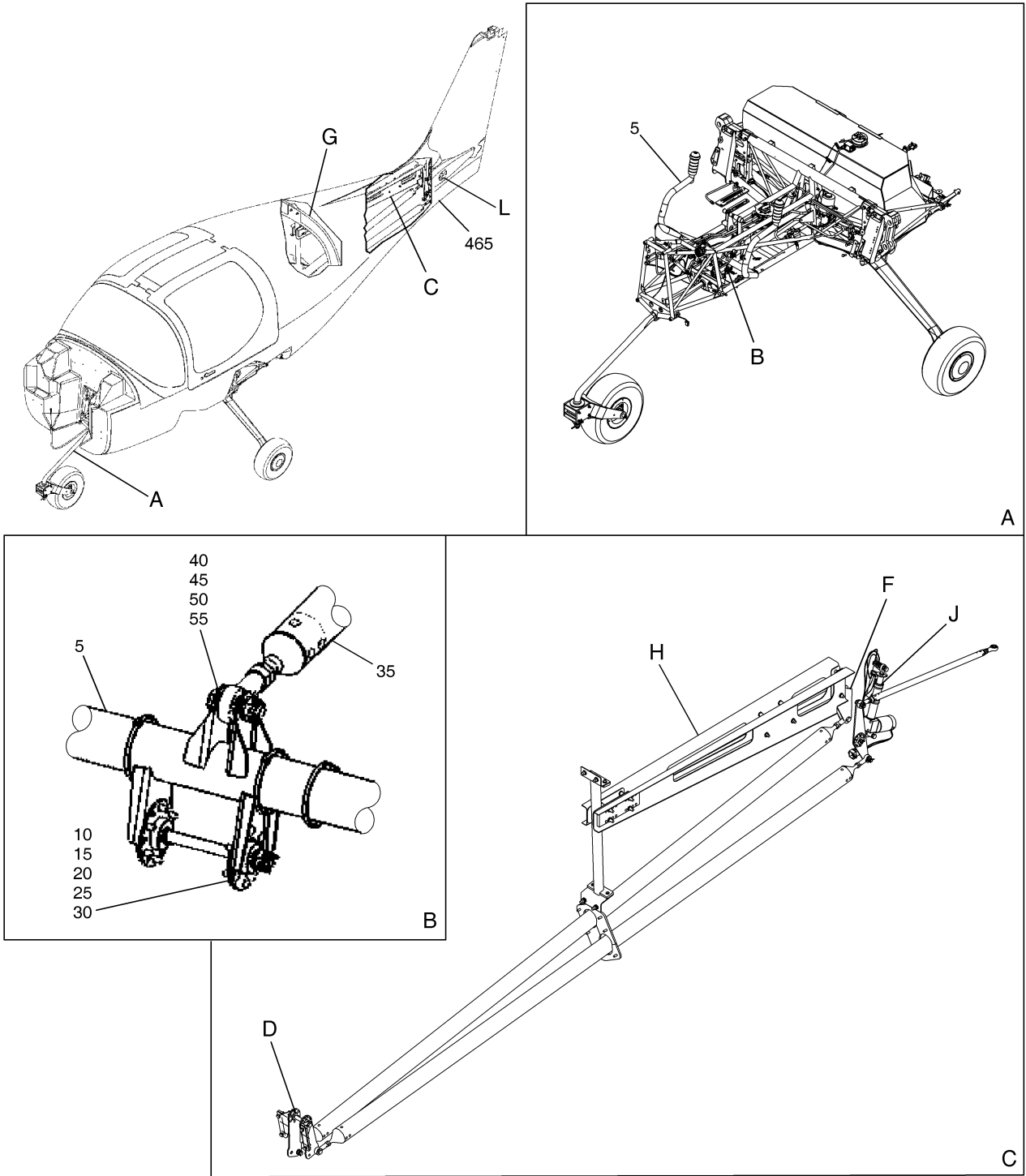
27-40-00

Page 2
NOV 1/07

LIBERTY AEROSPACE

135A-970-400

ILLUSTRATED PARTS CATALOG



LBTY_274000_01_01_C00

IPL Figure 01 (Sheet 1 of 4)
Horizontal Stabilizer

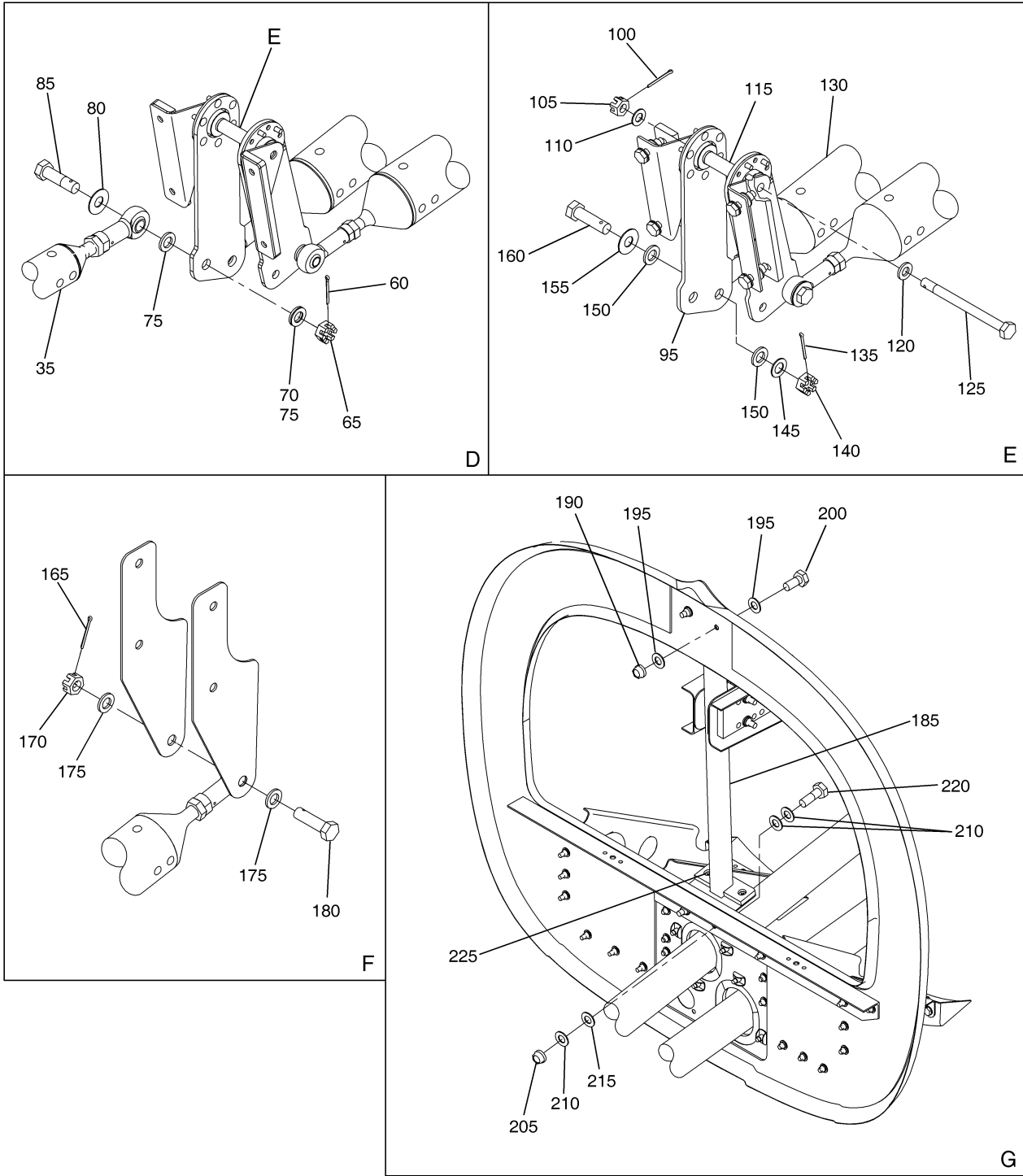
Use or disclosure of this data is subject to restrictions on the Title Page of this document.

27-40-00

LIBERTY AEROSPACE

135A-970-400

ILLUSTRATED PARTS CATALOG



LBTY_274000_01_02_C00

IPL Figure 01 (Sheet 2 of 4)
Horizontal Stabilizer

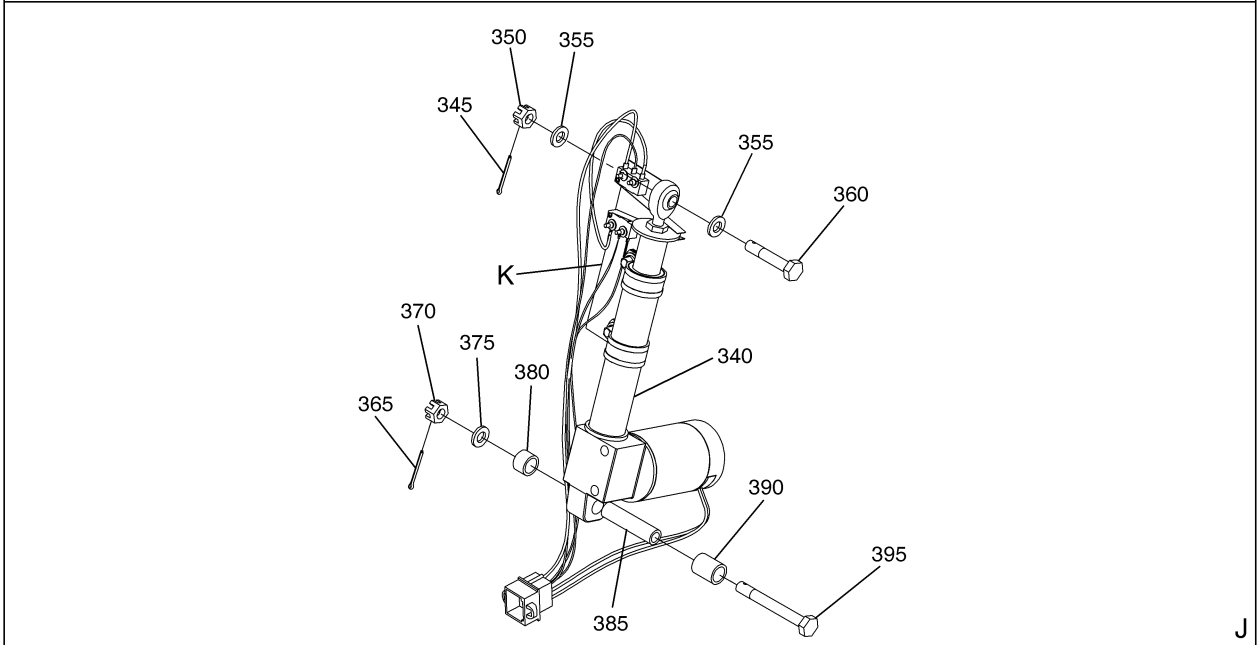
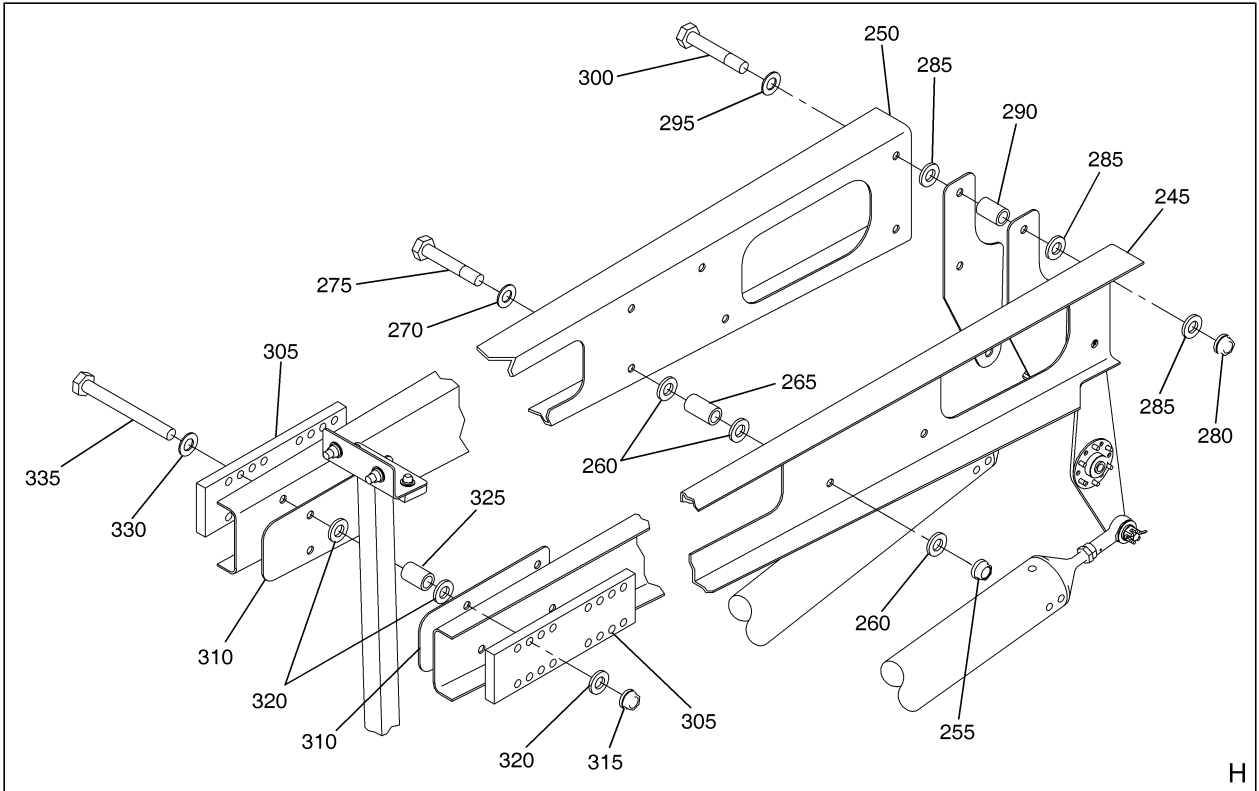
Use or disclosure of this data is subject to restrictions on the Title Page of this document.

27-40-00

LIBERTY AEROSPACE

135A-970-400

ILLUSTRATED PARTS CATALOG



LBTY_274000_01_03_C00

IPL Figure 01 (Sheet 3 of 4)
Horizontal Stabilizer

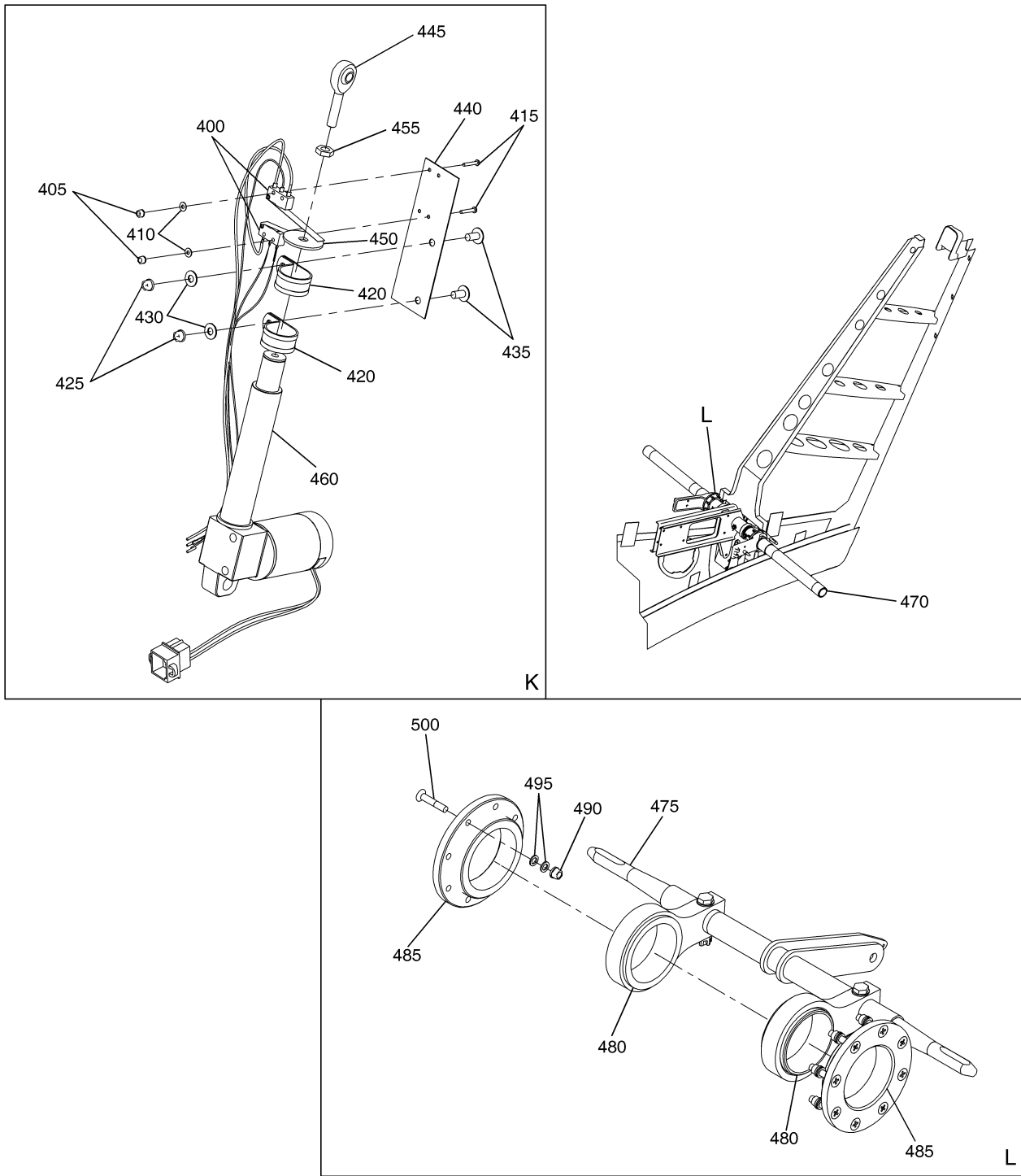
Use or disclosure of this data is subject to restrictions on the Title Page of this document.

27-40-00

LIBERTY AEROSPACE

135A-970-400

ILLUSTRATED PARTS CATALOG



LBTY_274000_01_04_C00

IPL Figure 01 (Sheet 4 of 4)
Horizontal Stabilizer

Use or disclosure of this data is subject to restrictions on the Title Page of this document.

27-40-00

LIBERTY AEROSPACE

135A-970-400

ILLUSTRATED PARTS CATALOG

FIG. & ITEM	PART NUMBER	1234567 NOMENCLATURE	EFF CODE	UNITS PER ASSY
01				
- 1	135A-10-041	FUSELAGE TO SPACE FRAME (FOR NHA SEE 53-00-00 FIG. 01) (FOR ADDITIONAL DETAILS SEE 25-10-00 FIG. 01, 52-10-00 FIG. 01, 32-40-00 FIG. 01, 33-10-00 FIG. 01, AND 73-20-00 FIG. 01)		REF
	5 135A-45-215	. YOKE ASSEMBLY (ATTACHING PARTS)		1
- 10	MS24665-153	. PIN, SPLIT, 1/16 X 3/4		1
- 15	MS17825-4	. NUT, CASTLE, SELF-LOCKING		1
- 20	NAS1149F0463P	. WASHER, FLAT		1
- 25	NAS1149F0432P	. WASHER, FLAT		1
- 30	AN4-33	. BOLT, 1/4-28		1

	35 135A-45-251	. PUSH-ROD, HORIZONTAL STABILIZER, FWD (ATTACHING PARTS)		1
- 40	MS24665-153	. PIN, SPLIT, 1/16 X 3/4		1
- 45	MS17825-5	. NUT, CASTLE, SELF-LOCKING		1
- 50	NAS1149F0563P	. WASHER, FLAT		3
- 55	AN5-11	. BOLT, 5/16-24		1
	60 MS24665-153	. PIN, SPLIT, 1/16 X 3/4		1
	65 MS17825-5	. NUT, CASTLE, SELF-LOCKING		1
	70 NAS1149F0532P	. WASHER, FLAT		1
	75 NAS1149F0563P	. WASHER, FLAT		2
	80 5710-577-30	. WASHER, FLAT		1
	85 AN5-11	. BOLT, 5/16-24		1

- 90	135A-10-103	FUSELAGE, BASIC AND HARDWARE (FOR NHA SEE 24-00-00 FIG. 01) (FOR ADDITIONAL DETAILS SEE 24-00-00 FIG. 01, 27-20-00 FIG. 01, 53-00-00 FIG. 01 AND 56-10-00 FIG. 01)		REF
	95 135A-45-269	. IDLER, ELEVATOR, MID FUSELAGE (ATTACHING PARTS)		1
	100 MS24665-153	. PIN, SPLIT, 1/16 X 3/4		1
	105 MS17825-4	. NUT, CASTLE, SELF-LOCKING		1
	110 NAS1149F0432P	. WASHER, FLAT		1
	115 135A-45-599	. DISTANCE TUBE, IDLER, MID FUSELAGE		1
	120 NAS1149F0463P	. WASHER, FLAT		1
	125 AN4-31	. BOLT, 1/4-28		1

	130 135A-45-253	. PUSH-ROD, HORIZONTAL STABILIZER, AFT (ATTACHING PARTS)		1
	135 MS24665-153	. PIN, SPLIT, 1/16 X 3/4		1
	140 MS17825-5	. NUT, CASTLE, SELF-LOCKING		1
	145 NAS1149F0432P	. WASHER, FLAT		1
	150 NAS1149F0463P	. WASHER, FLAT		2

- ITEM NOT ILLUSTRATED

Use or disclosure of this data is subject to restrictions on the Title Page of this document.

LIBERTY AEROSPACE

135A-970-400

ILLUSTRATED PARTS CATALOG

FIG. & ITEM	PART NUMBER	1234567 NOMENCLATURE	EFF CODE	UNITS PER ASSY
01				
155	5710-577-30	. WASHER, FLAT		1
160	AN5-11	. BOLT, 5/16-24		1
165	MS24665-153	. PIN, SPLIT, 1/16 X 3/4		1
170	MS17825-5	. NUT, CASTLE, SELF-LOCKING		1
175	NAS1149F0463P	. WASHER, FLAT		2
180	AN5-11	. BOLT, 5/16-24		1

185	135A-10-265	. WELDMENT, STOP, MASS BALANCE		1
		(ATTACHING PARTS)		
190	MS21043-4	. NUT, SELF-LOCKING, 1/4-28		2
195	NAS1149F0432P	. WASHER, FLAT		4
200	AN4C-4A	. BOLT, 1/4-28		2
205	MS21043-4	. NUT, SELF-LOCKING, 1/4-28		2
210	NAS1149F0432P	. WASHER, FLAT		6
215	NAS1149F0463P	. WASHER, FLAT		2
220	AN4C-6A	. BOLT, 1/4-28		2

225	135A-10-325	. STOP, MASS BALANCE		2
		(ATTACHING PARTS)		
- 230	MS21042-3	. NUT, SELF-LOCKING, 10-32		2
- 235	NAS1149F0332P	. WASHER, FLAT		2
- 240	MS24693-S270	. SCREW, 10-32		2

245	135A-45-695	. EXTENSION ARM, MASS BALANCE, PORT		1
250	135A-45-696	. EXTENSION ARM, MASS BALANCE, STBD		1
		(ATTACHING PARTS)		
255	MS21042-4	. NUT, SELF-LOCKING, 1/4-28		4
260	NAS1149F0463P	. WASHER, FLAT		12
265	135A-45-691	. SPACER, MASS BALANCE, LONG		4
270	NAS1149F0432P	. WASHER, FLAT		4
275	AN4-14A	. BOLT, 1/4-28		4
280	MS21042-4	. NUT, SELF-LOCKING, 1/4-28		2
285	NAS1149F0463P	. WASHER, FLAT		6
290	135A-45-693	. SPACER, MASS BALANCE, SHORT		2
295	NAS1149F0432P	. WASHER, FLAT		2
300	AN4-14A	. BOLT, 1/4-28		2

305	135A-45-699	. BALANCE MASS, TAIL PLANE		2
310	135A-45-315	. BEARING SURFACE, MASS BALANCE		2
		(ATTACHING PARTS)		
315	MS21042-4	. NUT, SELF-LOCKING, 1/4-28		4
320	NAS1149F0463P	. WASHER, FLAT		12
325	135A-45-693	. SPACER, MASS BALANCE, SHORT		4

- ITEM NOT ILLUSTRATED

Use or disclosure of this data is subject to restrictions on the Title Page of this document.

27-40-00

LIBERTY AEROSPACE

135A-970-400

ILLUSTRATED PARTS CATALOG

FIG. & ITEM	PART NUMBER	1234567 NOMENCLATURE	EFF CODE	UNITS PER ASSY
01				
	330	NAS1149F0432P . WASHER, FLAT		4
	335	AN4-14A . BOLT, 1/4-28		4

	340	135A-45-339 . ACTUATOR ASSEMBLY, TRIM		1
		(ATTACHING PARTS)		
	345	MS24665-153 . PIN, SPLIT, 1/16 X 3/4		1
	350	MS17825-4 . NUT, CASTLE, SELF-LOCKING		1
	355	NAS1149F0463P . WASHER, FLAT		2
	360	AN4-11 . BOLT, 1/4-28		1
	365	MS24665-153 . PIN, SPLIT, 1/16 X 3/4		1
	370	MS17825-4 . NUT, CASTLE, SELF-LOCKING		1
	375	NAS1149F0463P . WASHER, FLAT		1
	380	135A-45-777 . MOUNTING SLEEVE, TRIM ACTUATOR, SHORT		1
	385	135A-45-779 . DISTANCE TUBE, TRIM ACTUATOR		1
	390	135A-45-775 . MOUNTING SLEEVE, TRIM ACTUATOR, LONG		1
	395	AN4-21 . BOLT, 1/4-28		1

	400	135A-81-127 . . SENSOR ASSEMBLY, TRIM		1
		(ATTACHING PARTS)		
	405	MS21042-02 . . NUT, SELF-LOCKING		4
	410	AN960-2 . . WASHER, FLAT		4
	415	MS51957-7 . . SCREW, PAN HEAD, 2-56		4

	420	MS21919WDG13 . . CLAMP, CUSHIONED SUPPORT, LOOP TYPE		2
		(ATTACHING PARTS)		
	425	MS21042-3 . . NUT, SELF-LOCKING		1
	430	AN960C10L . . WASHER, FLAT		1
	435	AN525-10R6 . . SCREW, WASHER HEAD, 10-32 X .375		1

	440	135A-45-787 . . SWITCH PLATE, TRIM, MICRO		1
	445	GMM-4M-470 . . ROD END, MALE, 1/4 BORE, 1/4 THREAD RH		1
	450	AN970-4 . . WASHER, FLAT		1
	455	AN316-4R . . JAM NUT, 1/4-28, RH		1
	460	135A-45-333 . . ACTUATOR, BALL DRIVE		1
	465	135A-10-105 . FUSELAGE ASSEMBLY (FOR ADDITIONAL DETAILS SEE 27-20-00 FIG 01)		REF
	470	135A-45-125 . . TORQUE ASSEMBLY, TAIL PLANE DRIVE		1
	475	135A-45-123 . . DRIVE ASSEMBLY, TRIM		1
	480	135A-45-311 . . BEARING, TRIM DRIVE		2
	485	135A-10-331 . . BEARING, TAIL PLANE		2
		(ATTACHING PARTS)		
	490	MS21043-08 . . NUT, SELF-LOCKING, 8-32		8
	495	5710-474-30 . . WASHER, FLAT		16

- ITEM NOT ILLUSTRATED

Use or disclosure of this data is subject to restrictions on the Title Page of this document.

27-40-00

LIBERTY AEROSPACE

135A-970-400

ILLUSTRATED PARTS CATALOG

FIG. & ITEM	PART NUMBER	1234567 NOMENCLATURE	EFF CODE	UNITS PER ASSY
01 500	MS24694C11	. . SCREW, MACHINE, 8-32 -----***-----		8

- ITEM NOT ILLUSTRATED

LIBERTY AEROSPACE

135A-970-400

ILLUSTRATED PARTS CATALOG

DETAILED PARTS LIST

Use or disclosure of this data is subject to restrictions on the Title Page of this document.

27-50-00

Page 1
NOV 1/07

LIBERTY AEROSPACE

135A-970-400

ILLUSTRATED PARTS CATALOG

THIS PAGE INTENTIONALLY LEFT BLANK

Use or disclosure of this data is subject to restrictions on the Title Page of this document.

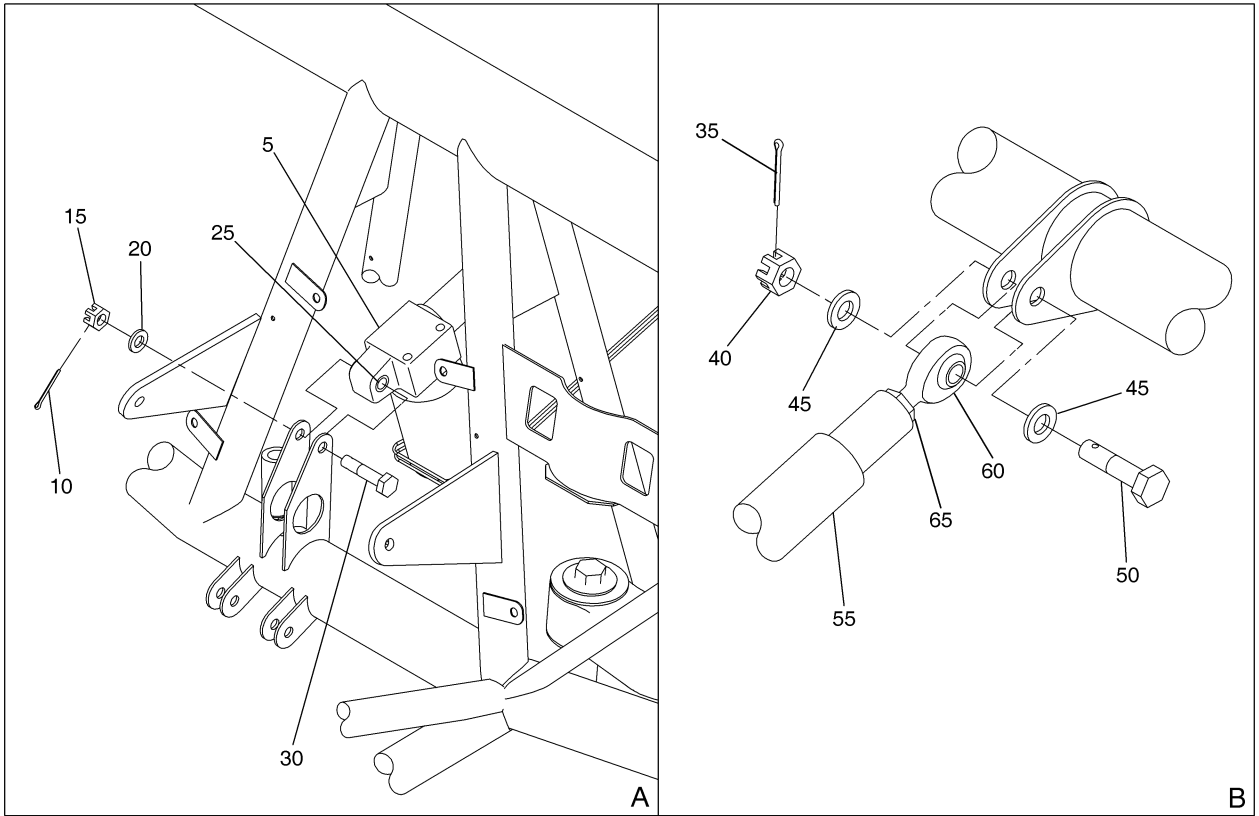
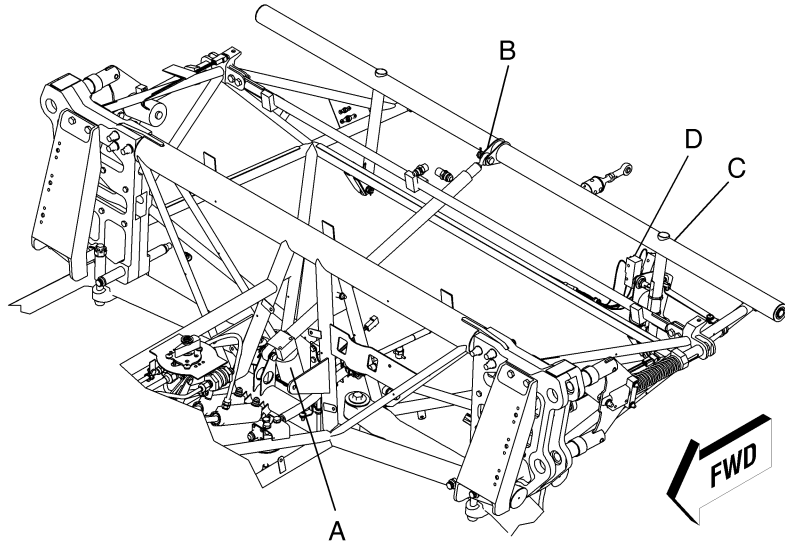
27-50-00

Page 2
NOV 1/07

LIBERTY AEROSPACE

135A-970-400

ILLUSTRATED PARTS CATALOG



LBTY_275000_01_01_C00

IPL Figure 01 (Sheet 1 of 2)
Flap System

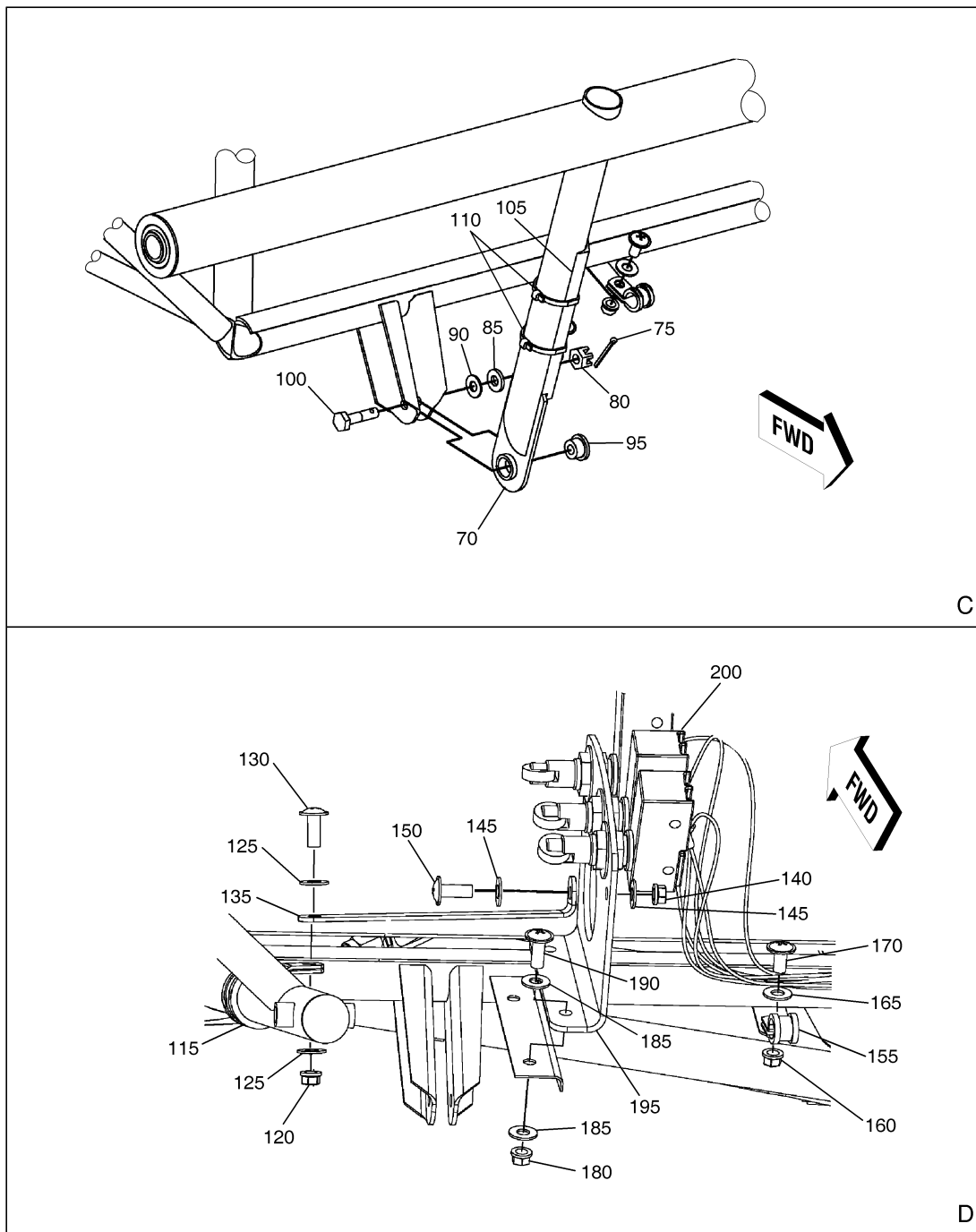
Use or disclosure of this data is subject to restrictions on the Title Page of this document.

27-50-00

LIBERTY AEROSPACE

135A-970-400

ILLUSTRATED PARTS CATALOG



LBTY_275000_01_02_C00

IPL Figure 01 (Sheet 2 of 2)
Flap System

Use or disclosure of this data is subject to restrictions on the Title Page of this document.

27-50-00

LIBERTY AEROSPACE

135A-970-400

ILLUSTRATED PARTS CATALOG

FIG. & ITEM	PART NUMBER	1234567 NOMENCLATURE	EFF CODE	UNITS PER ASSY
01				
- 1	135A-10-047	SPACE FRAME, FLAP SYSTEM (FOR NHA SEE 24-00-00 FIG. 010) (FOR ADDITIONAL DETAILS SEE 27-20-00 FIG. 01 AND 73-20-00 FIG. 01)		REF
5	135A-45-275	. ACTUATOR ASSY, LINEAR, FLAP DRIVE (ATTACHING PARTS)		1
10	MS24665-153	. PIN, SPLIT, 1/16 X 3/4		1
15	MS17825-4	. NUT, CASTLE, SELF-LOCKING, 1/4-28		1
20	NAS1149F0463P	. WASHER, FLAT		1
25	135A-10-793	. DISTANCE TUBE, FLAP ACTUATOR		1
30	AN4-11	. BOLT, 1/4-28		1
35	MS24665-153	. PIN, SPLIT, 1/16 X 3/4		1
40	MS17825-4	. NUT, CASTLE, SELF-LOCKING, 1/4-28		1
45	NAS1149F0463P	. WASHER, FLAT		2
50	AN4-10	. BOLT, 1/4-28		1

55	135A-45-279	. . ACTUATOR, BALL DRIVE		1
60	GMM-4M-470	. . ROD END, MALE		1
65	AN316-4R	. . NUT, JAM, HEXAGON, 1/4-28		1
70	135A-45-271	. CROSS BAR ASSY, FLAP DRIVE (ATTACHING PARTS)		1
75	MS24665-153	. PIN, SPLIT, 1/16 X 3/4		2
80	MS17825-3	. NUT, CASTLE, SELF-LOCKING, 10-32		2
85	NAS1149F0363P	. WASHER, FLAT		2
90	NAS1149F0332P	. WASHER, FLAT		2
95	135A-45-643	. BEARING, FLAP PIVOT ARM		2
100	AN3-6	. BOLT, 10-32		2

105	135A-45-811	. CAM, FLAP SWITCH (ATTACHING PARTS)		1
110	MS3367-5-9	. CABLE TIE		2

115	MS21919-WDG12	. CLAMP, LOOP TYPE (ATTACHING PARTS)		1
120	MS21042-3	. NUT, SELF-LOCKING, 10-32		1
125	NAS1149F0332P	. WASHER, FLAT		1
130	AN525-10R8	. SCREW, 10-32 X 3/8		1

135	135A-45-813	. BRACE, FLAP SWITCH BRACKET (ATTACHING PARTS)		1
140	MS21042-3	. NUT, SELF-LOCKING, 10-32		1
145	NAS1149F0332P	. WASHER, FLAT		2
150	AN525-10R8	. SCREW, 10-32 X 3/8		1

- ITEM NOT ILLUSTRATED

Use or disclosure of this data is subject to restrictions on the Title Page of this document.

27-50-00

LIBERTY AEROSPACE

135A-970-400

ILLUSTRATED PARTS CATALOG

FIG. & ITEM	PART NUMBER	1234567 NOMENCLATURE	EFF CODE	UNITS PER ASSY
01				
155	MS21919WDG5	----- . CLAMP, LOOP TYPE (ATTACHING PARTS)		1
160	MS21042-3	. NUT, SELF-LOCKING, 10-32		1
165	NAS1149F0332P	. WASHER, FLAT		1
170	AN525-10R6	. SCREW, 10-32 X 3/8		1
- 175	135A-45-335	----- FLAP SENSOR ASSY (NO NHA INDICATED) (ATTACHING PARTS)		1
180	MS21042-3	NUT, SELF-LOCKING, 10-32		2
185	NAS1149F0332P	WASHER, FLAT		4
190	AN3C-6A	BOLT, 10-32		2
195	135A-45-809	----- . BRACKET, FLAP SWITCH		1
200	135A-81-131	. FLAP SWITCH ASSY		1

- ITEM NOT ILLUSTRATED

LIBERTY AEROSPACE

135A-970-400

ILLUSTRATED PARTS CATALOG

DETAILED PARTS LIST

Use or disclosure of this data is subject to restrictions on the Title Page of this document.

28-00-00

Page 1
NOV 1/07

LIBERTY AEROSPACE

135A-970-400

ILLUSTRATED PARTS CATALOG

THIS PAGE INTENTIONALLY LEFT BLANK

Use or disclosure of this data is subject to restrictions on the Title Page of this document.

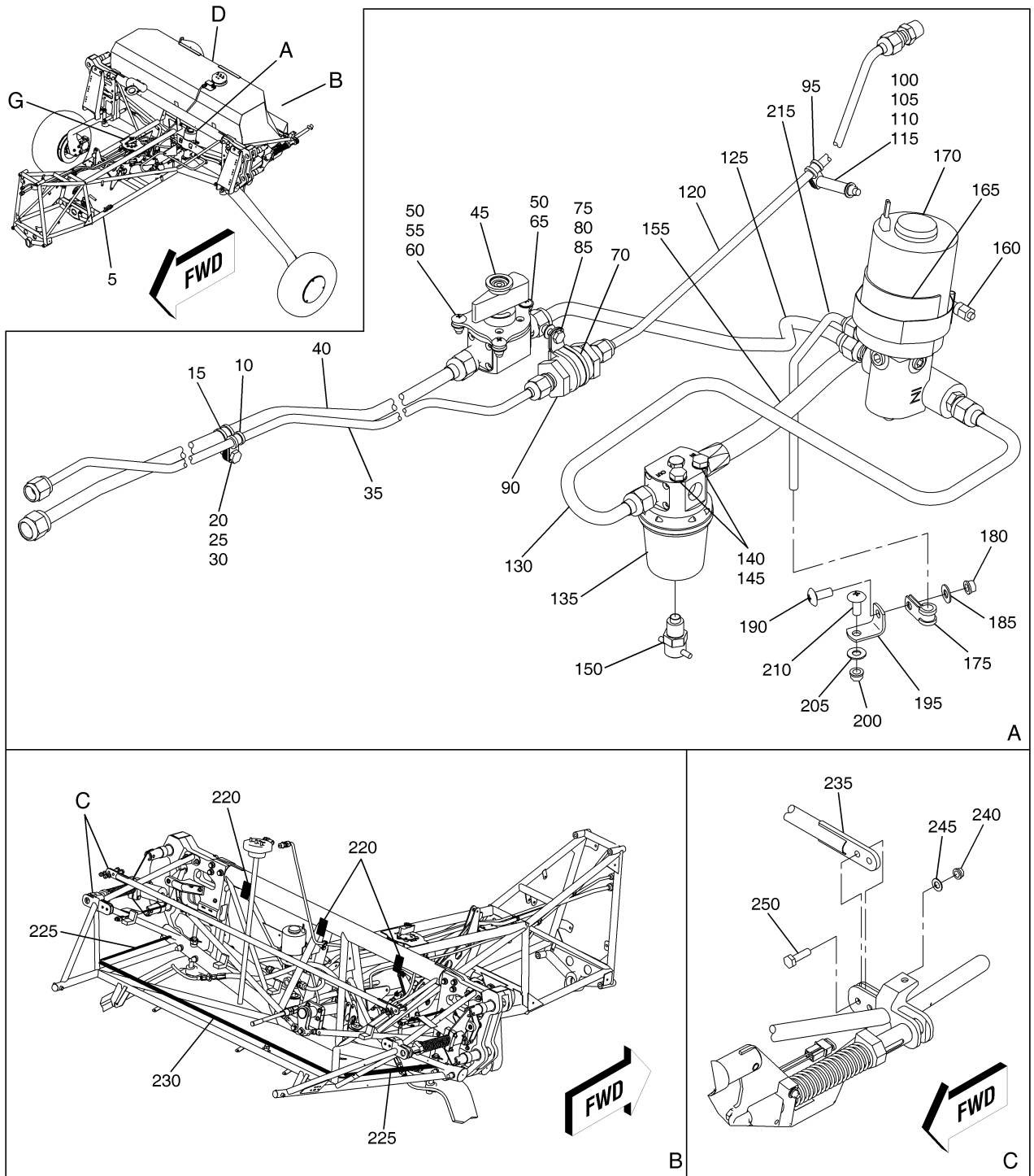
28-00-00

Page 2
NOV 1/07

LIBERTY AEROSPACE

135A-970-400

ILLUSTRATED PARTS CATALOG



LBTY_280000_01_01_C00

IPL Figure 01 (Sheet 1 of 2)
Fuel System

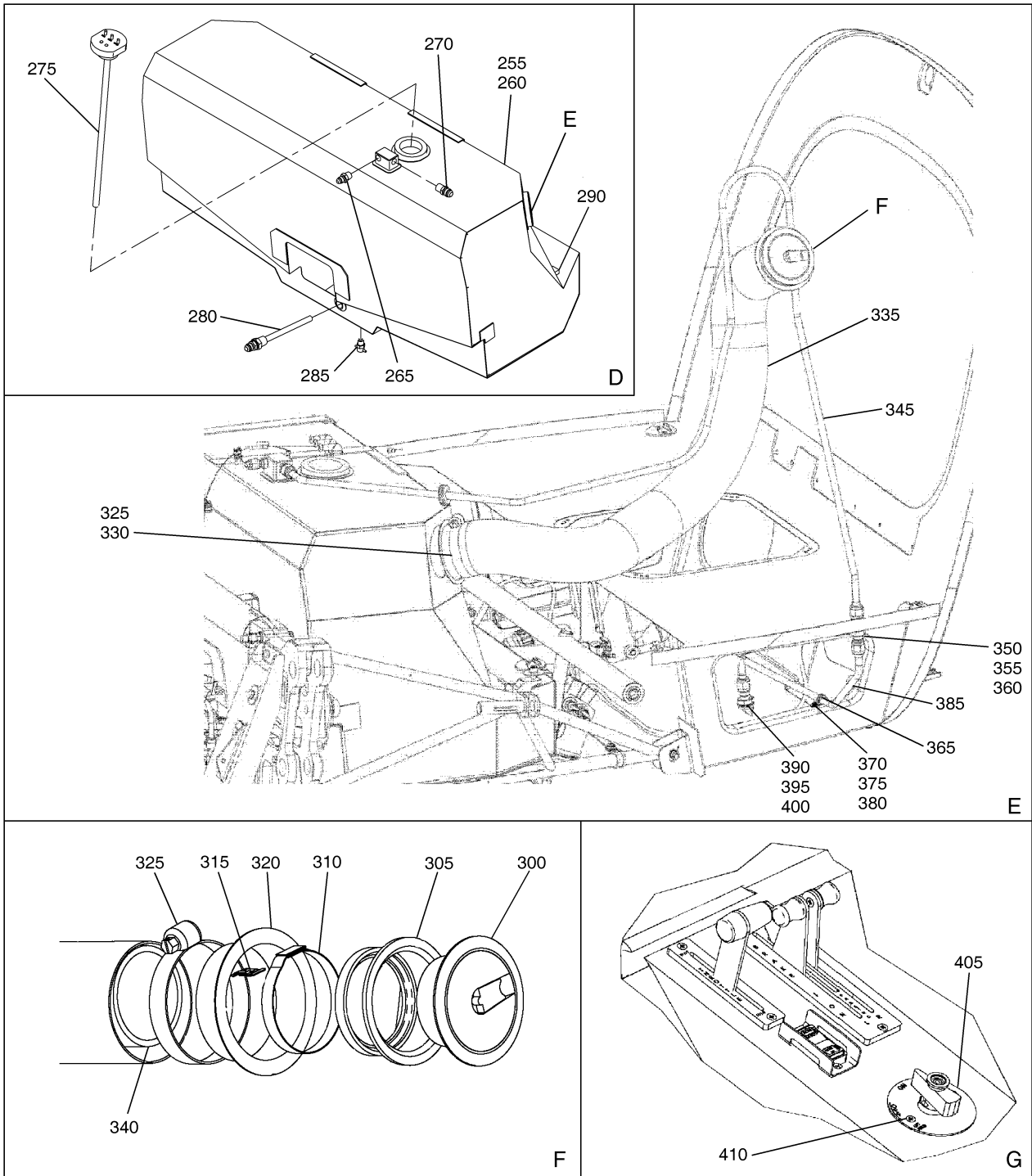
Use or disclosure of this data is subject to restrictions on the Title Page of this document.

28-00-00

LIBERTY AEROSPACE

135A-970-400

ILLUSTRATED PARTS CATALOG



LBTY_280000_01_02_C00

IPL Figure 01 (Sheet 2 of 2)
Fuel System

Use or disclosure of this data is subject to restrictions on the Title Page of this document.

28-00-00

LIBERTY AEROSPACE

135A-970-400

ILLUSTRATED PARTS CATALOG

FIG. & ITEM	PART NUMBER	1234567 NOMENCLATURE	EFF CODE	UNITS PER ASSY
01				
- 1	135A-10-059	SPACE FRAME, FUEL SYSTEM (FOR NHA SEE 73-20-00 FIG. 01)		REF
	5	. SPACE FRAME & BRAKE SYSTEM (FOR DET. BKD. SEE 32-40-00 FIG. 01)		1
	10	. CLAMP		1
	15	. CLAMP		1
		(ATTACHING PARTS)		
- 20	MS21042-3	. NUT, SELF-LOCKING, 10-32		1
- 25	NAS1149F0332P	. WASHER, FLAT		1
- 30	AN3-3A	. BOLT, 10-32		1

	35	. FUEL LINE ASSY, FIREWALL TO CHECK VALVE		1
	40	. FUEL LINE ASSY, VALVE TO FIREWALL		1
	45	. FUEL SELECTOR ASSY		1
		(ATTACHING PARTS)		
- 50	MS21042-3	. NUT, SELF-LOCKING, 10-32		3
- 55	NAS1149F0332P	. WASHER, FLAT		2
- 60	AN525-10R7	. SCREW, WASHER HEAD, 10-32 X 7/16		2
- 65	AN525-10R6	. SCREW, WASHER HEAD, 10-32 X 3/8		1

	70	. CLAMP		1
		(ATTACHING PARTS)		
- 75	MS21042-3	. NUT, SELF-LOCKING, 10-32		1
- 80	NAS1149F0332P	. WASHER, FLAT		1
- 85	AN3-3A	. BOLT, 10-32		1

	90	. VALVE, SWING CHECK		1
	95	. CLAMP		1
		(ATTACHING PARTS)		
- 100	MS21042-3	. NUT, SELF-LOCKING, 10-32		1
- 105	NAS1149F0332P	. WASHER, FLAT		2
- 110	AN3-16A	. BOLT, 10-32		1
- 115	NAS43DD3-80	. SPACER		1

	120	. FUEL LINE ASSY, CHECK VALVE TO TANK		1
	125	. FUEL LINE ASSY, PUMP TO VALVE		1
	130	. FUEL LINE ASSY, GASCOLATOR TO PUMP		1
	135	. GASCOLATOR, 3/8		1
		(ATTACHING PARTS)		
	140	. BOLT, 1/4-28		2
- 145	NAS1149F0432P	. WASHER, FLAT		2

- ITEM NOT ILLUSTRATED

Use or disclosure of this data is subject to restrictions on the Title Page of this document.

28-00-00

LIBERTY AEROSPACE

135A-970-400

ILLUSTRATED PARTS CATALOG

FIG. & ITEM	PART NUMBER	1234567 NOMENCLATURE	EFF CODE	UNITS PER ASSY
01				
150	CCA-1550	. VALVE, FUEL DRAIN		1
155	AE7010000G0080	. FUEL LINE ASSY, TANK TO GASCOLATOR		1
160	700-41-275	. CLAMP, T-BOLT		1
165	135A-50-311	. RUBBER, STRIP, FUEL BOOST PUMP		1
170	135A-81-209	. PUMP ASSY, FUEL BOOST		1
175	MS21919-WDG4	. CLAMP, LOOP TYPE		1
		(ATTACHING PARTS)		
180	MS21042-3	. NUT, SELF-LOCKING, 10-32		1
185	NAS1149F0332P	. WASHER, FLAT		1
190	AN525-10R7	. SCREW, WASHER HEAD, 10-32 X 7/16		1

195	MS9596-008	. BRACKET, ANGLE		1
		(ATTACHING PARTS)		
200	MS21042-3	. NUT, SELF-LOCKING, 10-32		1
205	NAS1149F0332P	. WASHER, FLAT		1
210	AN525-10R7	. SCREW, WASHER HEAD, 10-32 X 7/16		1

215	135A-50-221	. FUEL LINE ASSY, PUMP VENT		1
220	135A-50-355	. RUBBER, STRIP, FUEL TANK FWD		3
225	135A-50-319	. RUBBER, STRIP, FUEL TANK LOWER SIDE		2
230	135A-50-327	. RUBBER, STRIP, FUEL TANK LOWER AFT		1
235	135A-10-211	. CLEVIS BRACE, AFT SPACE FRAME		1
		(ATTACHING PARTS)		
240	MS21042-4	. NUT, SELF-LOCKING, 1/4-28		4
245	NAS1149F0432P	. WASHER, FLAT		4
250	AN4-7A	. BOLT, 1/4-28		4

255	135A-50-111	. FUEL TANK ASSY		1
260	135A-50-117	. . TANK, WELDMENT		1
265	AN816-4-4	. . ADAPTER, STRAIGHT, PIPE TO TUBE		1
270	AN816-6	. . ADAPTER, STRAIGHT, PIPE TO TUBE		1
275	PS-211-8021D	. . FUEL SENDER, CAPACITIVE		1
280	135A-50-203	. . STRAINER ASSY, FUEL FINGER		1
285	CCA-1550	. . VALVE, FUEL DRAIN		1
290	135A-50-357	. . RUBBER, STRIP, FUEL TANK UPPER AFT		4
- 295	135A-10-035	FUSELAGE ASSY, CONTINUATION BUILD (FOR NHA SEE 03-00-00 FIG. 02) (FOR ADDITIONAL DETAILS SEE 11-30-00 FIG. 01, 24-00-00 FIG. 01, 32-40-00 FIG. 01 AND 53-00-00 FIG. 01)		REF
300	SPRL-2-S-AL	. FUEL CAP/FLANGE ASSY, ALUMINUM TAB		1
305	135A-50-341	. SPACER, FUEL CAP		1
310	5422K58	. BANDING, HOSE, 3/8		2
315	5422K73	. BUCKLE, EAR STYLE, 3/8		2
320	10350-12	. FLANGE, ALUMINUM		2

- ITEM NOT ILLUSTRATED

Use or disclosure of this data is subject to restrictions on the Title Page of this document.

28-00-00

LIBERTY AEROSPACE

135A-970-400

ILLUSTRATED PARTS CATALOG

FIG. & ITEM	PART NUMBER	1234567 NOMENCLATURE	EFF CODE	UNITS PER ASSY
01				
	325 AN737-TW107	. CLAMP, HOSE		2
	330 135A-50-639	. ADAPTER, FUEL FILLER HOSE		1
	335 CAT-12	. TUBE, AERODUCT, 3 X 36		1
	340 135A-50-303	. HOSE, FUEL FILLER		1
	345 135A-50-247	. FUEL LINE ASSY, TANK TO FLOOR		1
	350 AN832-6J	. UNION, FLARED TUBE, 3/8 BULKHEAD		1
		(ATTACHING PARTS)		
-	355 AN924-6J	. NUT, TUBE, BULKHEAD		1
-	360 MS35335-38	. WASHER, LOCK, EXTERNAL TOOTH		1

	365 MS21919WDG6	. CLAMP		1
		(ATTACHING PARTS)		
-	370 MS21042-3	. NUT, SELF-LOCKING, 10-32		1
-	375 NAS1149C0332R	. WASHER, FLAT		1
-	380 AN526C-1032R8	. SCREW, 10-32		1

	385 135A-50-251	. FUEL LINE ASSY, FLOOR TO OUTBOARD		1
	390 135A-50-533	. UNION, FLARED TUBE, 3/8, ALTERED		1
		(ATTACHING PARTS)		
-	395 AN924-6J	. NUT, TUBE, BULKHEAD		1
-	400 MS35335-38	. WASHER, LOCK, EXTERNAL TOOTH		1

	405 135A-50-627	. FACIA PLATE, FUEL SELECTOR		1
		(ATTACHING PARTS)		
	410 MS24694C11	. SCREW, MACHINE, 8-32		2

- ITEM NOT ILLUSTRATED

LIBERTY AEROSPACE

135A-970-400

ILLUSTRATED PARTS CATALOG

THIS PAGE INTENTIONALLY LEFT BLANK

Use or disclosure of this data is subject to restrictions on the Title Page of this document.

28-00-00

Page 8
NOV 1/07

LIBERTY AEROSPACE

135A-970-400

ILLUSTRATED PARTS CATALOG

DETAILED PARTS LIST

Use or disclosure of this data is subject to restrictions on the Title Page of this document.

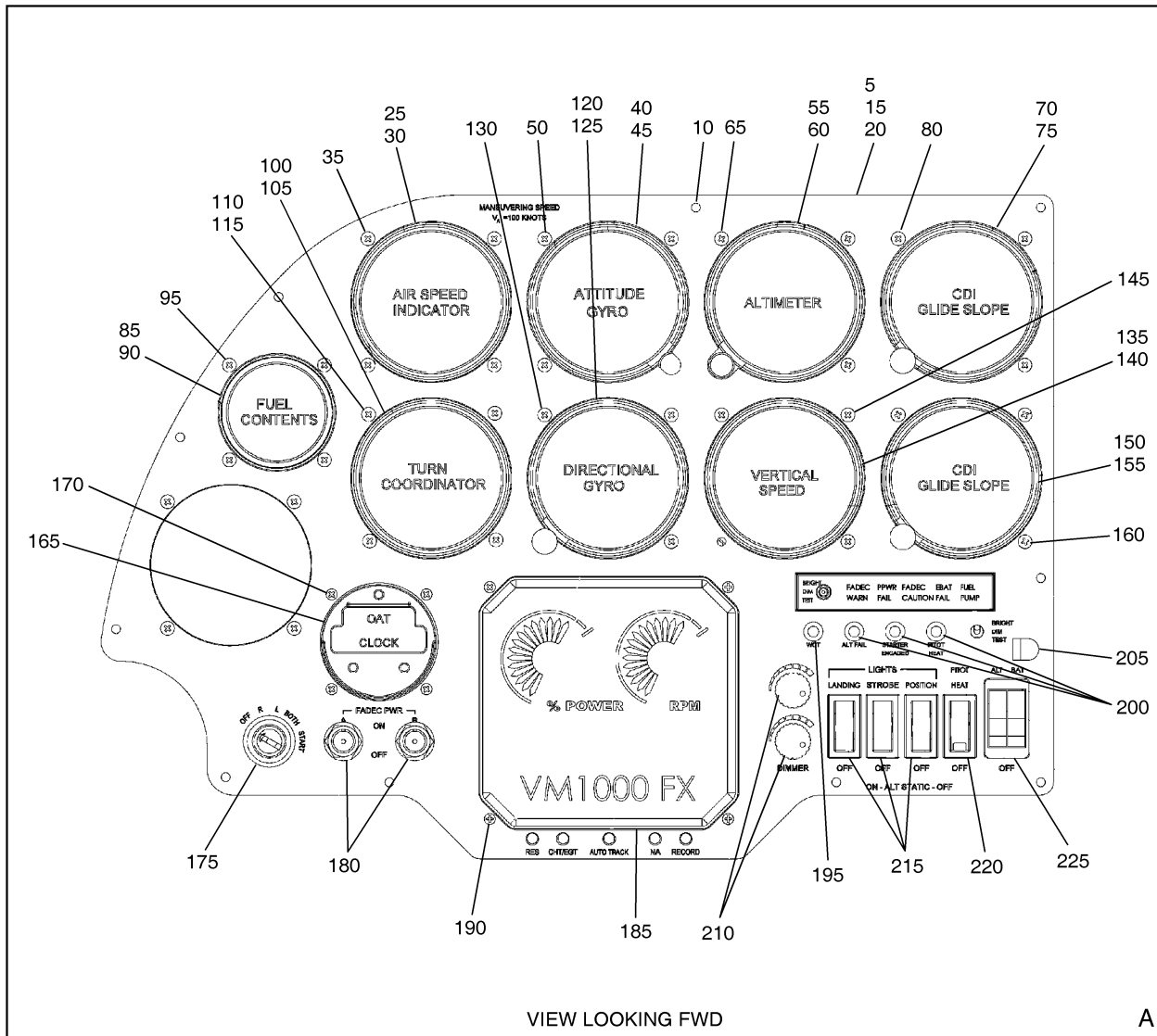
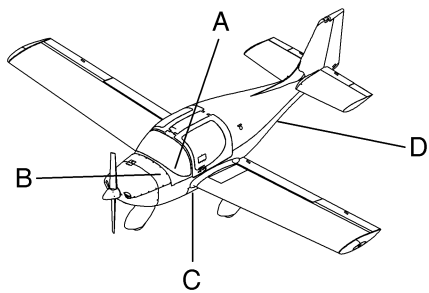
31-10-00

Page 1
NOV 1/07

LIBERTY AEROSPACE

135A-970-400

ILLUSTRATED PARTS CATALOG



LBTY_311000_01_01_C00

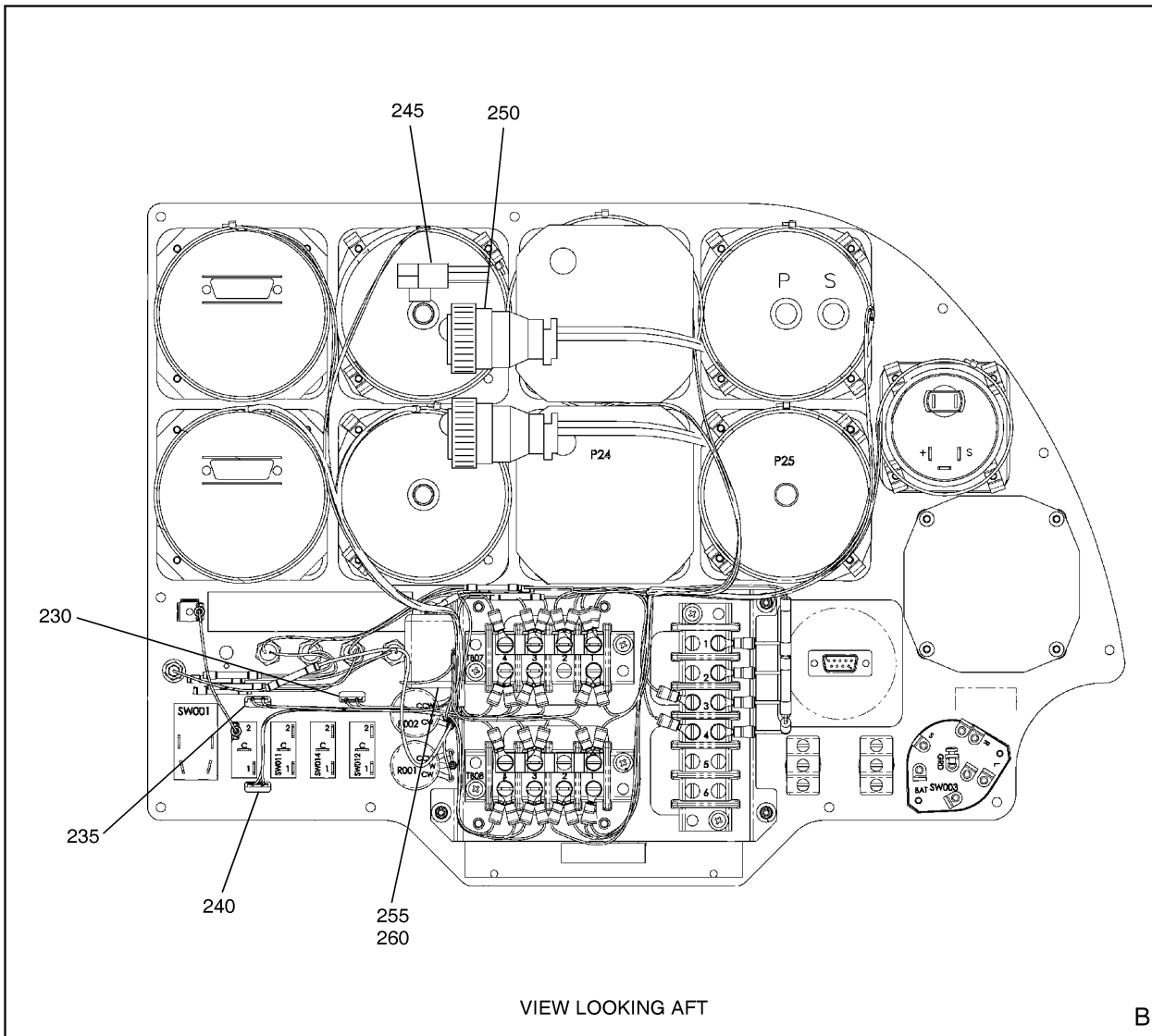
IPL Figure 01 (Sheet 1 of 3)
Instrument Panel

Use or disclosure of this data is subject to restrictions on the Title Page of this document.

LIBERTY AEROSPACE

135A-970-400

ILLUSTRATED PARTS CATALOG



LBTY_311000_01_02_C00

IPL Figure 01 (Sheet 2 of 3)
Instrument Panel

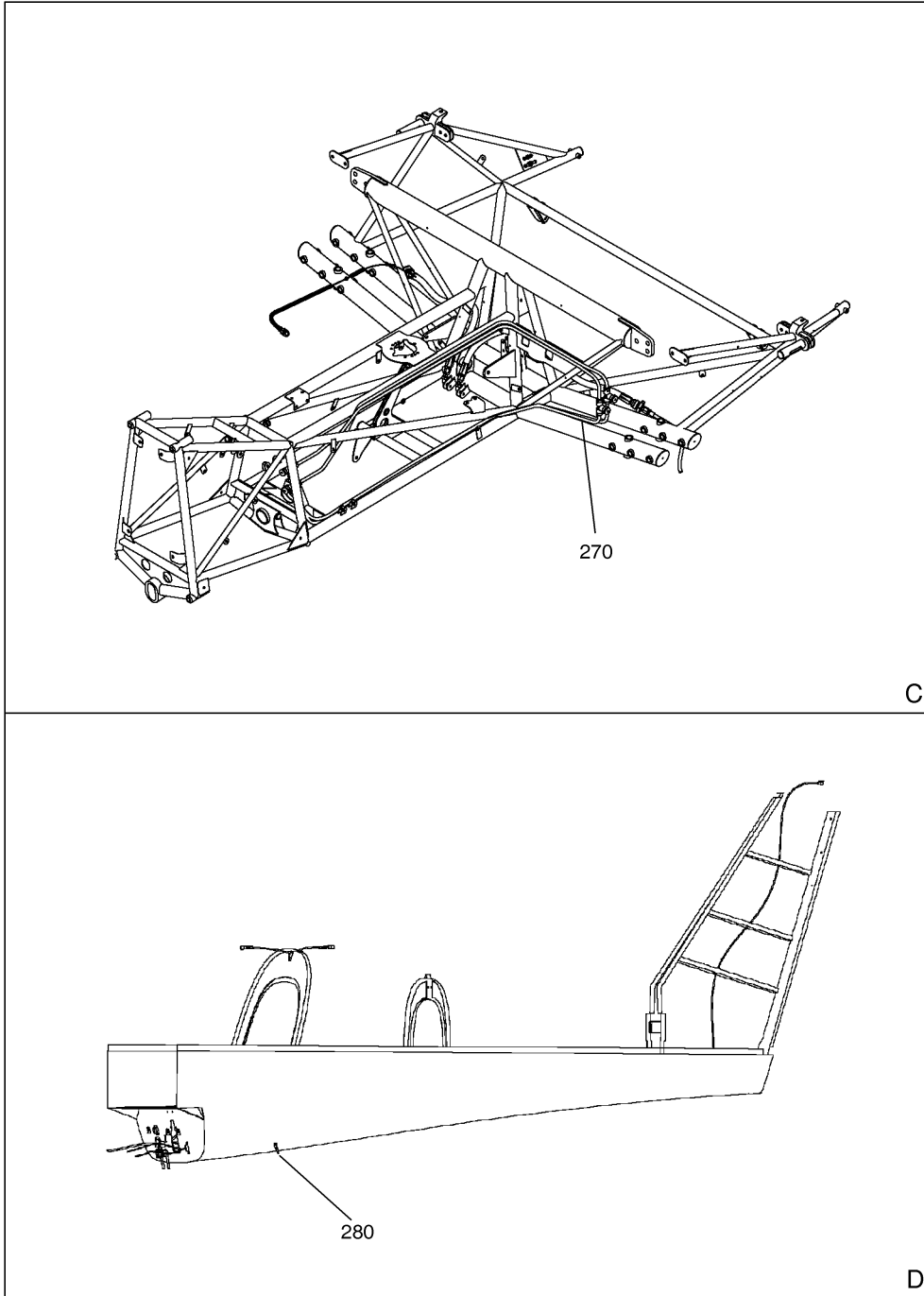
Use or disclosure of this data is subject to restrictions on the Title Page of this document.

31-10-00

LIBERTY AEROSPACE

135A-970-400

ILLUSTRATED PARTS CATALOG



LBTY_311000_01_03_C00

IPL Figure 01 (Sheet 3 of 3)
Instrument Panel

Use or disclosure of this data is subject to restrictions on the Title Page of this document.

31-10-00

LIBERTY AEROSPACE

135A-970-400

ILLUSTRATED PARTS CATALOG

FIG. & ITEM	PART NUMBER	1234567 NOMENCLATURE	EFF CODE	UNITS PER ASSY
01				
- 1	135A-80-005	INSTRUMENT PANEL GARMIN INSTALLATION (FOR NHA SEE 03-00-00 FIG. 01)		REF
5	135A-80-115	. INSTRUMENT PANEL GARMIN DELUXE ASSY (SEE NOTE 1)	A	1
5	135A-80-117	. INSTRUMENT PANEL GARMIN ASSY SINGLE CDI (SEE NOTE 1)	B	1
		(ATTACHING PARTS)		
- 10	MS51957-45	. SCREW, PAN HEAD, 8-32 X .500		10

- 15	135A-80-311	. . LABEL, INSTRUMENT PANEL (GREY) (SEE NOTE 1)	A, B	1
- 15	135A-80-311	. . LABEL, INSTRUMENT PANEL (BEIGE) (SEE NOTE 1)	A, B	1
- 20	135A-80-231	. . INSTRUMENT PANEL ASSY	A, B	1
25	T16-311-180M011	. . AIRSPEED INDICATOR, BLACK FACE ALTERNATE PART	A, B	1
25	T16-311-172M02	. . AIRSPEED INDICATOR, BLACK FACE	A, B	1
30	135A-81-279	. . LIGHT ASSY, 3 1/8		1
		(ATTACHING PARTS)		
35	MS51957-34	. . SCREW, PAN HEAD, 6-32 X 1.00		4

40	RCA26EK-10	. . ATTITUDE GYRO, ELECTRIC	A, B	1
45	135A-81-283	. . LIGHT ASSY, 3 1/8	A, B	1
		(ATTACHING PARTS)		
50	MS51957-32	. . SCREW, PAN HEAD, 6-32 X .750		3

55	5934PD-3D-A142	. . ALTIMETER	A, B	1
60	135A-81-283	. . LIGHT ASSY, 3 1/8	A, B	1
		(ATTACHING PARTS)		
65	MS51957-34	. . SCREW, PAN HEAD, 6-32 X 1.00		3

70	013-00049-00	. . INDICATOR, VOR/LOC/GS/GPS CDI	A, B	1
75	135A-81-283	. . LIGHT ASSY, 3 1/8	A, B	1
		(ATTACHING PARTS)		
80	MS51957-35	. . SCREW, PAN HEAD, 6-32 X 1.25		3

85	D1-211-5078	. . GAUGE, FUEL CONTENTS	A, B	1
90	135A-81-277	. . LIGHT ASSY, 2 1/4	A, B	1
		(ATTACHING PARTS)		
95	MS51957-34	. . SCREW, PAN HEAD, 6-32 X 1.00		4

100	1394T100-(7Z)	. . TURN COORDINATOR, ELECTRIC	A, B	1
105	135A-81-279	. . LIGHT ASSY, 3 1/8	A, B	1
		(ATTACHING PARTS)		

- ITEM NOT ILLUSTRATED

Use or disclosure of this data is subject to restrictions on the Title Page of this document.

LIBERTY AEROSPACE

135A-970-400

ILLUSTRATED PARTS CATALOG

FIG. & ITEM	PART NUMBER	1234567 NOMENCLATURE	EFF CODE	UNITS PER ASSY
01				
- 110	6013-031	.. CLIPNUT		4
115	MS51957-34	.. SCREW, PAN HEAD, 6-32 X 1.00 -----		4
120	RCA15AK-2	.. DIRECTIONAL GYRO, ELECTRIC	A, B	1
125	135A-81-283	.. LIGHT ASSY, 3 1/8 (ATTACHING PARTS)	A, B	1
130	MS51957-32	.. SCREW, PAN HEAD, 6-32 X .750 -----		3
135	7000-C.31	.. INDICATOR, VERTICAL SPEED	A, B	1
140	135A-81-281	.. LIGHT ASSY, VSI (ATTACHING PARTS)	A, B	1
145	MS51957-32	.. SCREW, PAN HEAD, 6-32 X .750 -----		3
150	013-00049-00	.. INDICATOR, VOR/LOC/GS/GPS CDI	A	1
155	135A-81-283	.. LIGHT ASSY, 3 1/8 (ATTACHING PARTS)	A	1
160	MS51957-35	.. SCREW, PAN HEAD, 6-32 X 1.25 -----		3
165	M803	.. DIGITAL CLOCK/OAT (ATTACHING PARTS)	A, B	1
170	MS51957-15	.. SCREW, PAN HEAD, 4-40 X .375 -----		4
175	A-510-2K	.. SWITCH, IGNITION	A, B	1
180	MS24658-22D	.. SWITCH, TOGGLE	A, B	2
185	4010057	.. ENGINE INSTRUMENT, VM1000FX (ATTACHING PARTS)	A, B	1
190	MS51957-13	.. SCREW, PAN HEAD, 4-40 X .250 -----		4
195	BR1-3047-9901-S	.. LED, GREEN, T1 3/4 PANEL MOUNT	A, B	1
200	BR1-3048-9901-S	.. LED, AMBER, T1 3/4 PANEL MOUNT	A, B	3
205	01-0770844-00	.. POST LIGHT	A, B	1
210	MS91528 0E2B	.. KNOB, MATT BLACK, 1/4 SHAFT	A, B	2
215	K1BBBAAAAA	.. SWITCH, ROCKER, SNAP-IN	A, B	3
220	K1BBBCADCN	.. SWITCH, ROCKER, SNAP-IN	A, B	1
225	TIGK51-2C-D-IRD-FN	.. SWITCH, MASTER BATTERY/ALT	A, B	1
230	135A-81-287	.. SWITCH LIGHT ASSY	A, B	1
235	135A-81-286	.. SWITCH LIGHT ASSY, MIDDLE	A, B	1
240	135A-81-285	.. SWITCH LIGHT ASSY	A, B	1
245	656982-4	.. HARNESS, FADEC/P03 ALTERNATE PART	A, B	1
245	135A-81-333	.. HARNESS, FADEC/P03	A, B	1
250	135A-81-235	.. HARNESS, INSTRUMENT PANEL	A, B	1

- ITEM NOT ILLUSTRATED

Use or disclosure of this data is subject to restrictions on the Title Page of this document.

31-10-00

LIBERTY AEROSPACE

135A-970-400

ILLUSTRATED PARTS CATALOG

FIG. & ITEM	PART NUMBER	1234567 NOMENCLATURE	EFF CODE	UNITS PER ASSY
01				
255	135A-81-275	. . INVERTER ASSY (ATTACHING PARTS)	A, B	1
- 260	MS51957-28	. . SCREW, PAN HEAD, 6-32 X .375 -----		2
- 265	135A-10-045	SPACE FRAME ASSY (FOR NHA SEE 33-10-00 FIG. 01) (FOR ADDITIONAL DETAILS SEE 24-00-00 FIG. 01 AND 23-10-00 FIG. 01)		REF
270	135A-10-131	. PITOT STATIC INSTALLATION		1
- 275	135A-10-101	FUSELAGE ELECTRICAL (FOR NHA SEE 33-10-00 FIG.01) (FOR ADDITIONAL DETAILS SEE 11-30-00 FIG. 01, 23- 20-00 FIG. 01 AND 24-00-00 FIG. 01)		REF
280	135A-81-315	. DIGITAL CLOCK/OAT SENSOR		1
		NOTES: 1. INSTRUMENT PANEL ASSY AND LABEL COLOR VARY BY AIRCRAFT, REFER TO AIRCRAFT FLIGHT MANUAL, CUSTOMER PURCHASE ORDER OR THE PART NUMBER MARKED ON THE COMPO- NENT TO ORDER SPARES.		

- ITEM NOT ILLUSTRATED

LIBERTY AEROSPACE

135A-970-400

ILLUSTRATED PARTS CATALOG

THIS PAGE INTENTIONALLY LEFT BLANK

Use or disclosure of this data is subject to restrictions on the Title Page of this document.

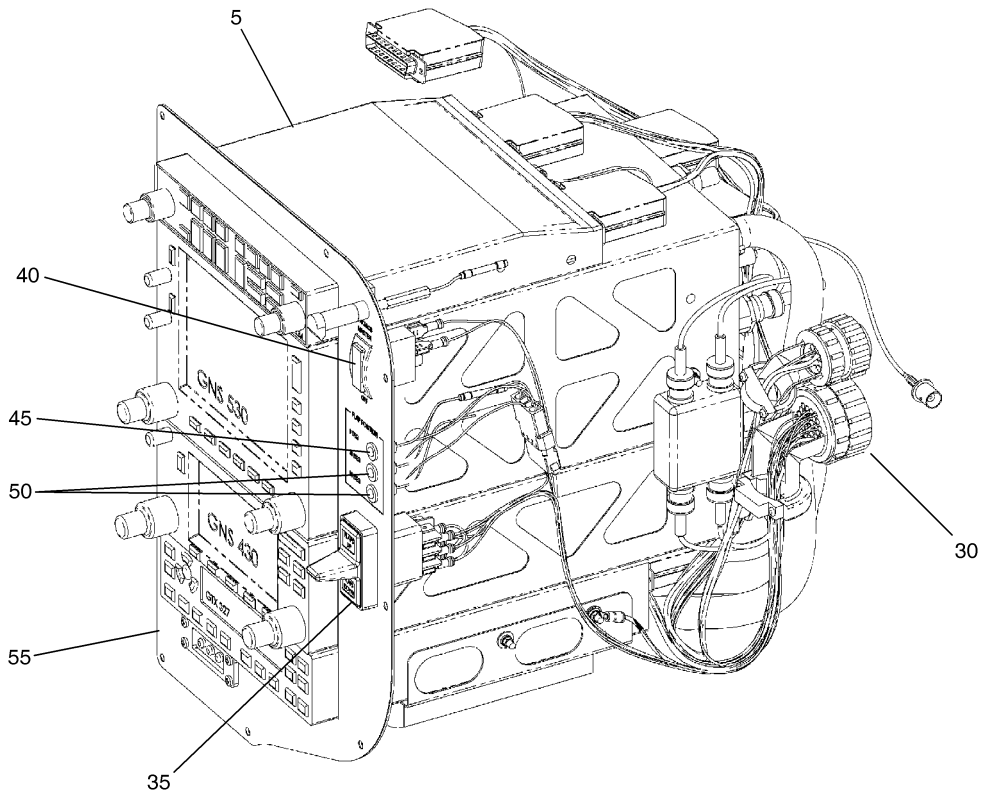
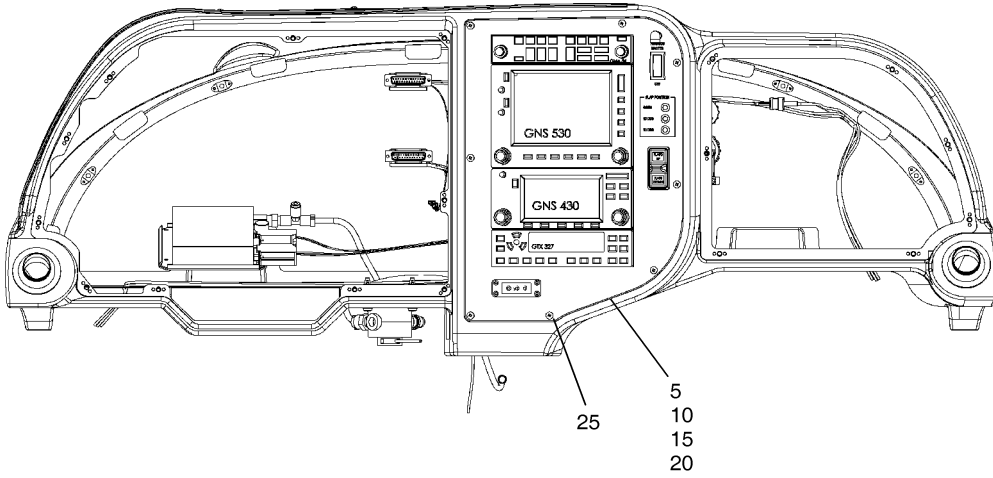
31-10-00

Page 8
NOV 1/07

LIBERTY AEROSPACE

135A-970-400

ILLUSTRATED PARTS CATALOG



LBTY_311000_02_01_C00

IPL Figure 02 (Sheet 1 of 4)
Avionics Installation, Garmin

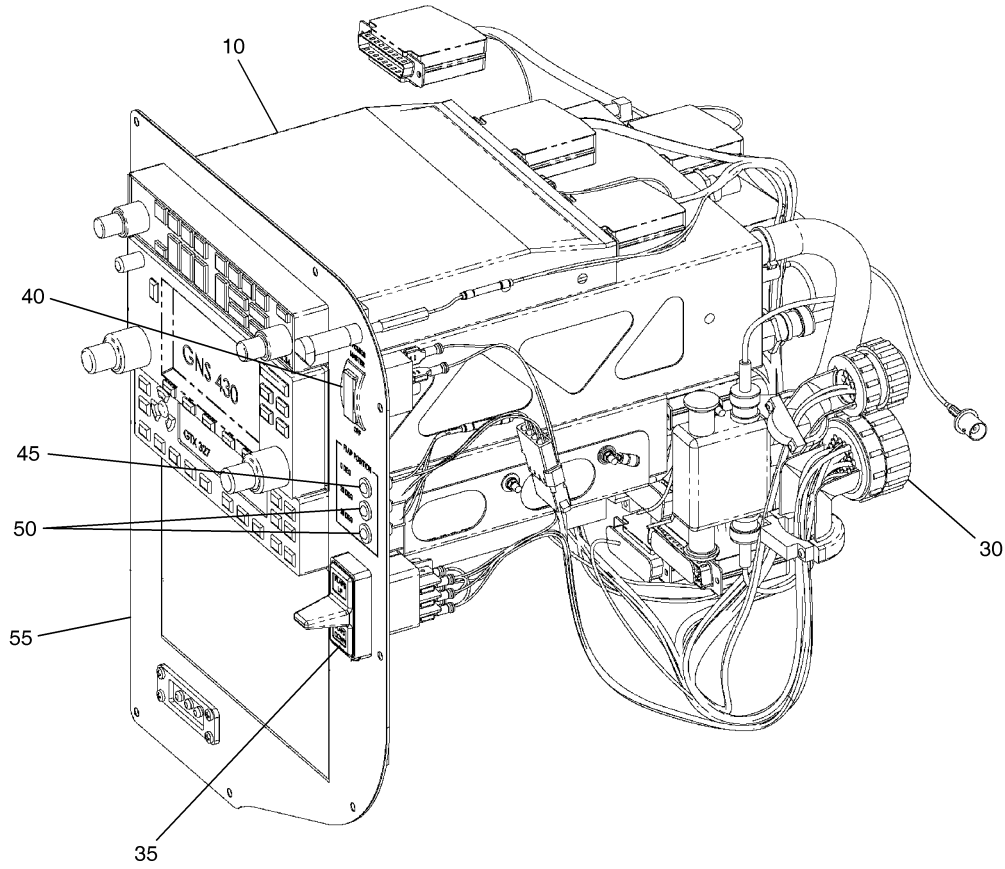
Use or disclosure of this data is subject to restrictions on the Title Page of this document.

31-10-00

LIBERTY AEROSPACE

135A-970-400

ILLUSTRATED PARTS CATALOG



LBTY_311000_02_02_C00

IPL Figure 02 (Sheet 2 of 4)
Avionics Installation, Garmin

Use or disclosure of this data is subject to restrictions on the Title Page of this document.

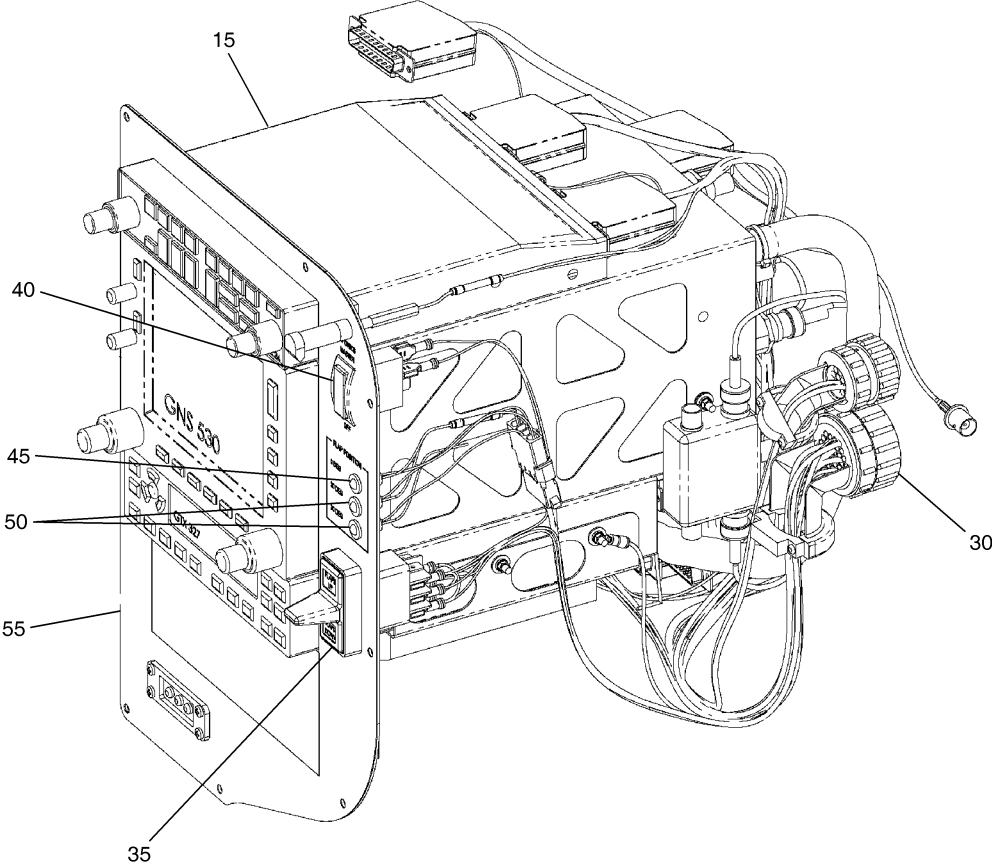
31-10-00

Page 10
NOV 1/07

LIBERTY AEROSPACE

135A-970-400

ILLUSTRATED PARTS CATALOG



LBTY_311000_02_03_C00

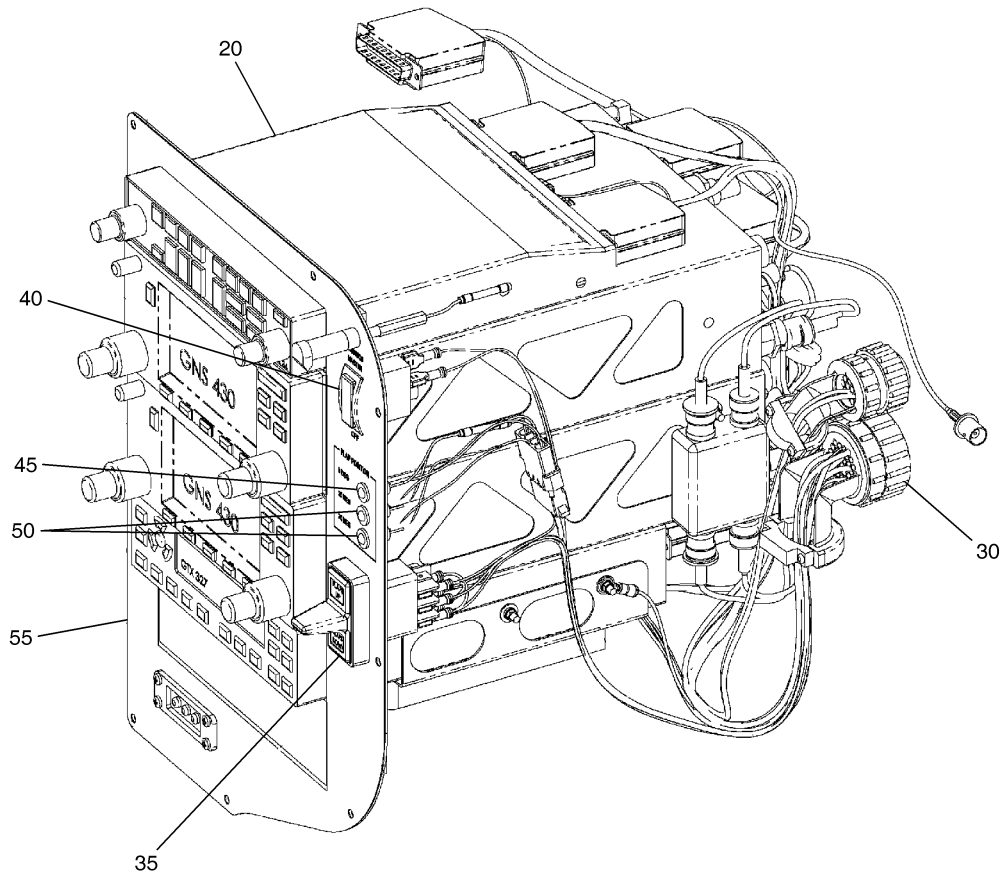
IPL Figure 02 (Sheet 3 of 4)
Avionics Installation, Garmin

Use or disclosure of this data is subject to restrictions on the Title Page of this document.

LIBERTY AEROSPACE

135A-970-400

ILLUSTRATED PARTS CATALOG



LBTY_311000_02_04_C00

IPL Figure 02 (Sheet 4 of 4)
Avionics Installation, Garmin

Use or disclosure of this data is subject to restrictions on the Title Page of this document.

31-10-00

Page 12
NOV 1/07

LIBERTY AEROSPACE

135A-970-400

ILLUSTRATED PARTS CATALOG

FIG. & ITEM	PART NUMBER	1234567 NOMENCLATURE	EFF CODE	UNITS PER ASSY
02				
- 1	135A-80-055	AVIONICS INSTALLATION, GARMIN (FOR NHA SEE 03-00-00 FIG. 01)		REF
5	135A-80-131	. PANEL ASSY, AVIONICS, GARMIN 530 (SEE NOTE 1)		1
10	135A-80-135	. PANEL ASSY, AVIONICS, BASIC IFR (SEE NOTE 1)		1
15	135A-80-137	. PANEL ASSY, AVIONICS, GARMIN 530/327 (SEE NOTE 1)		1
20	135A-80-141	. PANEL ASSY, AVIONICS, GARMIN 430/430/327 (SEE NOTE 1)		1
		(ATTACHING PARTS)		
25	MS51957-45	. SCREW, PAN HEAD, 8-32 X .500		8
		- - - * * * - - -		
30	135A-81-335	. . HARNESS ASSY, AVIONICS, GARMIN INTERCONNECT		1
35	VLDANHH4	. . SWITCH, SERIES V (ORDER OVERLENGTH PART No. VLDANHH4-J99XX-1XX-XFL1)		1
40	K1BBBAAAAA	. . SWITCH, SPDT		1
45	BR1-3047-9901-S	. . LED, GREEN, T1 3/4 PANEL MOUNT ALTERNATE PART		1
45	BR1-3047-9901	. . LED, GREEN, T1 3/4 PANEL MOUNT (ORDER OVERLENGTH PART No. BR1-3047-9901-SPL 6" LDS)		1
50	BR1-3048-9901-S	. . LED, AMBER, T1 3/4 PANEL MOUNT ALTERNATE PART		2
50	BR1-3048-9901	. . LED, AMBER, T1 3/4 PANEL MOUNT (ORDER OVERLENGTH PART No. BR1-3048-9901-SPL 6" LDS)		2
55	135A-80-341	. . LABEL AVIONICS PANEL (SEE NOTE 2)		1
		NOTES: 1. AVIONICS PANEL ASSY VARIES BY AIRCRAFT, REFER TO AIRCRAFT FLIGHT MANUAL, CUSTOMER PURCHASE ORDER OR THE PART NUMBER MARKED ON THE COMPONENT TO ORDER SPARES. 2. AVIONICS PANEL LABEL VARIES BY AIRCRAFT, REFER TO AIRCRAFT FLIGHT MANUAL, CUSTOMER PURCHASE ORDER OR THE PART NUMBER MARKED ON THE COMPONENT TO ORDER SPARES.		

- ITEM NOT ILLUSTRATED

Use or disclosure of this data is subject to restrictions on the Title Page of this document.

LIBERTY AEROSPACE

135A-970-400

ILLUSTRATED PARTS CATALOG

THIS PAGE INTENTIONALLY LEFT BLANK

Use or disclosure of this data is subject to restrictions on the Title Page of this document.

31-10-00

Page 14
NOV 1/07

LIBERTY AEROSPACE

135A-970-400

ILLUSTRATED PARTS CATALOG

DETAILED PARTS LIST

Use or disclosure of this data is subject to restrictions on the Title Page of this document.

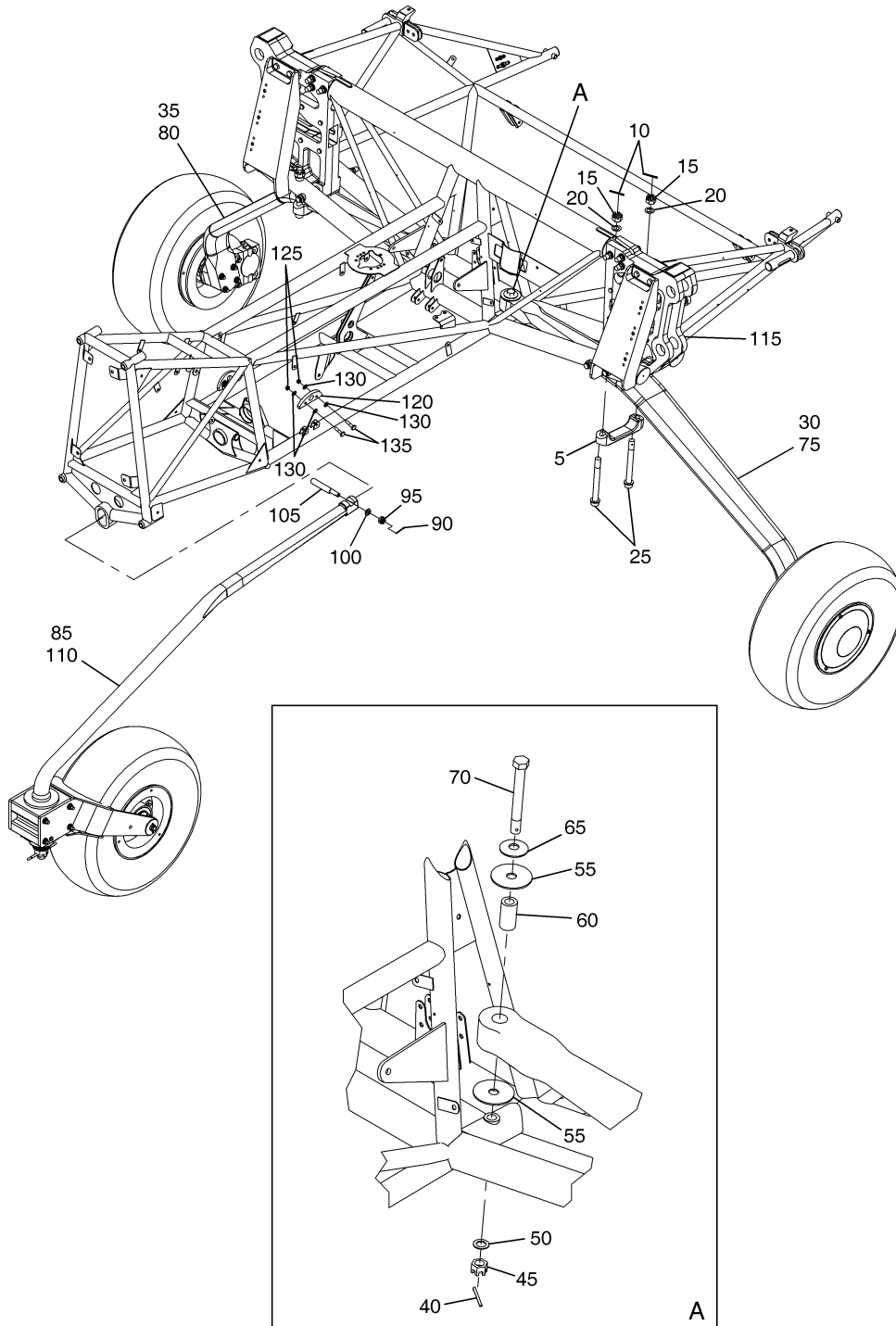
32-10-00

Page 1
NOV 1/07

LIBERTY AEROSPACE

135A-970-400

ILLUSTRATED PARTS CATALOG



LBTY_321000_01_01_C00

IPL Figure 01
Landing Gear

Use or disclosure of this data is subject to restrictions on the Title Page of this document.

32-10-00

LIBERTY AEROSPACE

135A-970-400

ILLUSTRATED PARTS CATALOG

FIG. & ITEM	PART NUMBER	1234567 NOMENCLATURE	EFF CODE	UNITS PER ASSY
01				
- 1	135A-10-072	SPACE FRAME U/C (FOR NHA SEE 32-40-00 FIG. 01) (FOR ADDITIONAL DETAILS SEE 24-00-00 FIG. 01 AND 32-40- 00 FIG. 01)		REF
5	135A-40-505	. RESTRAINT, LOWER U/C (ATTACHING PARTS)		2
10	MS24665-302	. PIN, SPLIT, 3/32 X 1		2
15	MS17825-7	. NUT, CASTELLATED, SELF-LOCKING, 7/16, R/H		2
20	NAS1149F0732P	. WASHER, FLAT		2
25	NAS147A-65	. BOLT, 7/16		2

30	135A-40-005	. U/C ASSY, MAIN, PORT (FOR ADDITIONAL DETAILS SEE 32-40-00 FIG. 01)		1
35	135A-40-006	. U/C ASSY, MAIN, STBD (FOR ADDITIONAL DETAILS SEE 32-40-00 FIG. 01) (ATTACHING PARTS)		1
40	MS24665-302	. PIN, SPLIT, 3/32 X 1		1
45	MS17825-6	. NUT, CASTELLATED, SELF-LOCKING, 3/8, R/H		1
50	NAS1149F0632P	. WASHER, FLAT		1
55	AN970-6	. WASHER, FLAT		2
60	135A-40-301	. BUSHING, FLEXIBLE		1
65	5808-26-62-BO	. WASHER, BELLEVILLE SPRING		1
70	AN6-31	. BOLT, 3/8-24		1

75	135A-40-509	. . U/C, MAIN, PORT		1
80	135A-40-510	. . U/C, MAIN, STBD		1
85	135A-40-003	. U/C ASSY, NOSE, G.A. (FOR ADDITIONAL DETAILS SEE 32 40-00 FIG. 01) (ATTACHING PARTS)		1
90	MS24665-153	. PIN, SPLIT, 1/16 X 3/4		1
95	MS17825-5	. NUT, CASTELLATED, SELF-LOCKING, 5/16, R/H		1
100	NAS1149F0563P	. WASHER, FLAT		1
105	135A-40-529	. PIN, COTTER, 7/16		1

110	135A-40-511	. . LEG, NOSE U/C		1
115	135A-10-074	. SPACE FRAME, WING BOX, BASIC (FOR DETAIL BREAKDOWN SEE 53-00-00 FIG. 01)		1
120	135A-10-323	. CONTROL STOP, AILERON (ATTACHING PARTS)		2
125	MS21043-3	. NUT, SELF-LOCKING, 10-32		2
130	NAS1149C0332R	. WASHER, FLAT		4
135	AN3C6A	. BOLT, 10-32		2

- ITEM NOT ILLUSTRATED

Use or disclosure of this data is subject to restrictions on the Title Page of this document.

LIBERTY AEROSPACE

135A-970-400

ILLUSTRATED PARTS CATALOG

THIS PAGE INTENTIONALLY LEFT BLANK

Use or disclosure of this data is subject to restrictions on the Title Page of this document.

32-10-00

Page 4
NOV 1/07

LIBERTY AEROSPACE

135A-970-400

ILLUSTRATED PARTS CATALOG

DETAILED PARTS LIST

Use or disclosure of this data is subject to restrictions on the Title Page of this document.

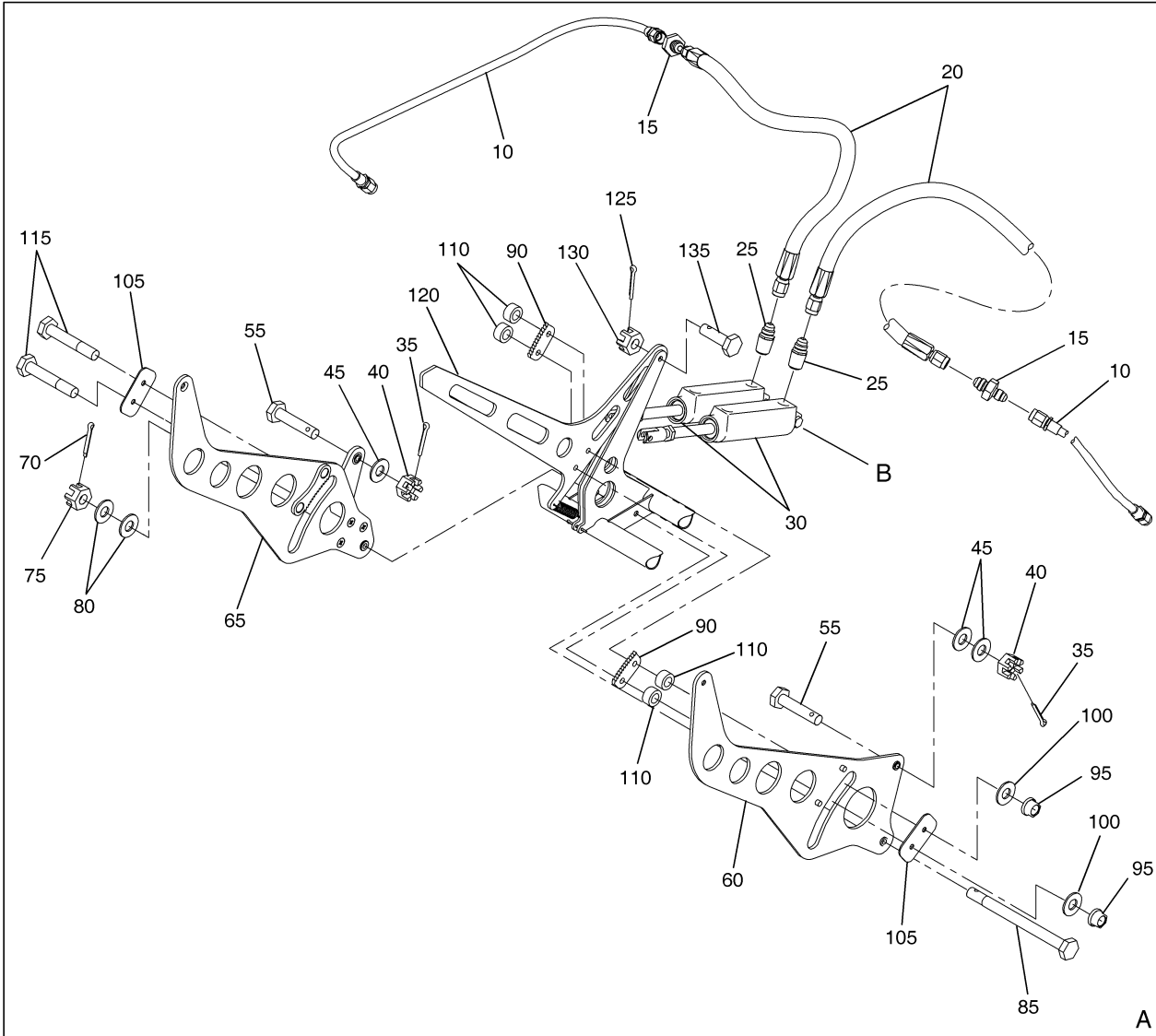
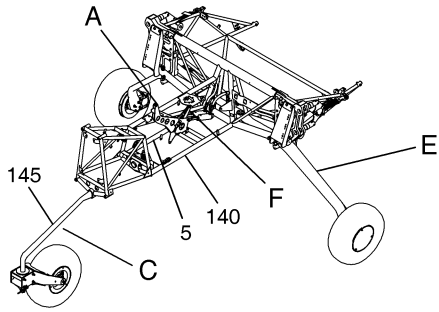
32-40-00

Page 1
NOV 1/07

LIBERTY AEROSPACE

135A-970-400

ILLUSTRATED PARTS CATALOG



LBTY_324000_01_01_C00

IPL Figure 01 (Sheet 1 of 3)
Brake System

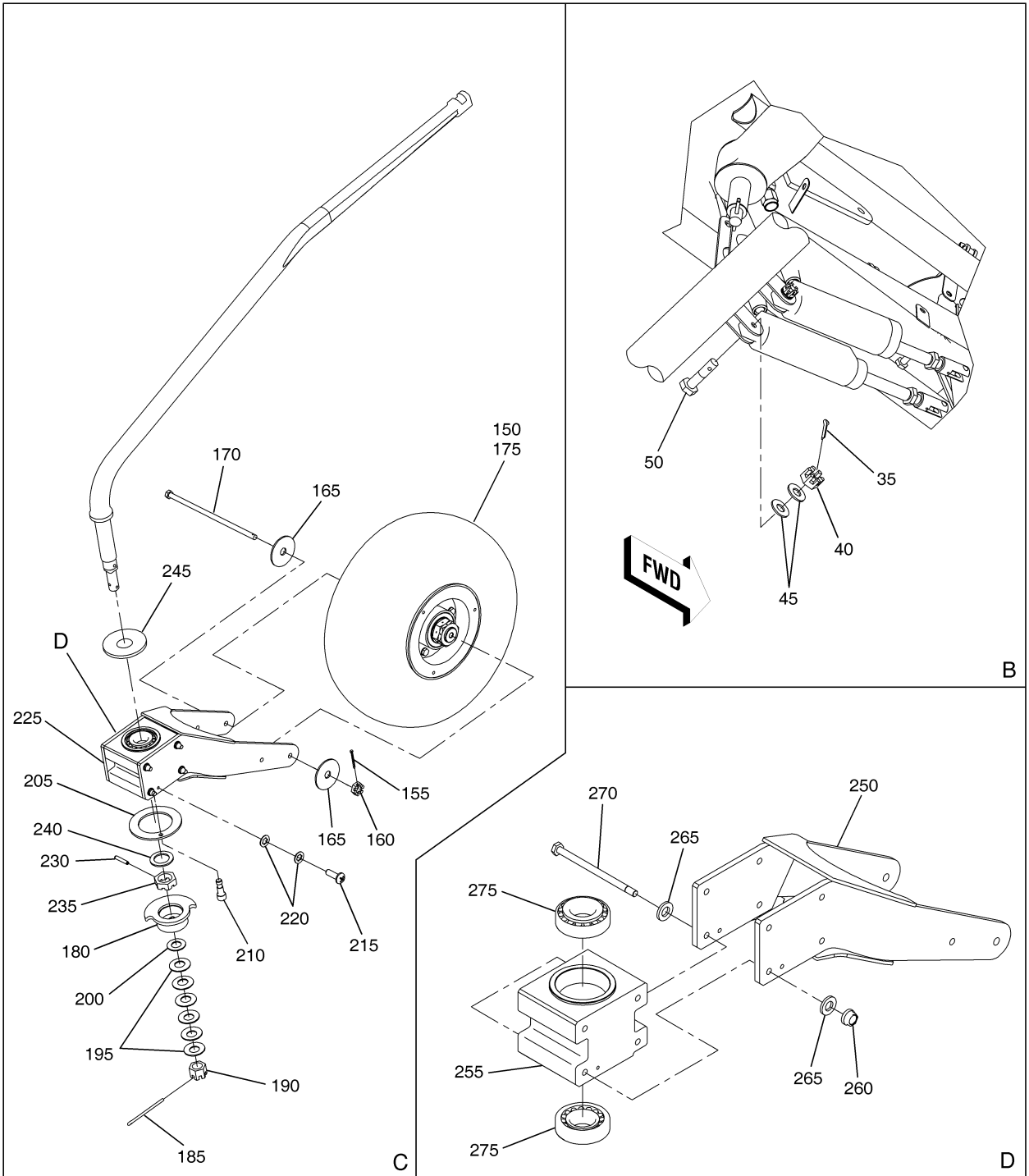
Use or disclosure of this data is subject to restrictions on the Title Page of this document.

32-40-00

LIBERTY AEROSPACE

135A-970-400

ILLUSTRATED PARTS CATALOG



LBTY_324000_01_02_C00

IPL Figure 01 (Sheet 2 of 3)
Brake System

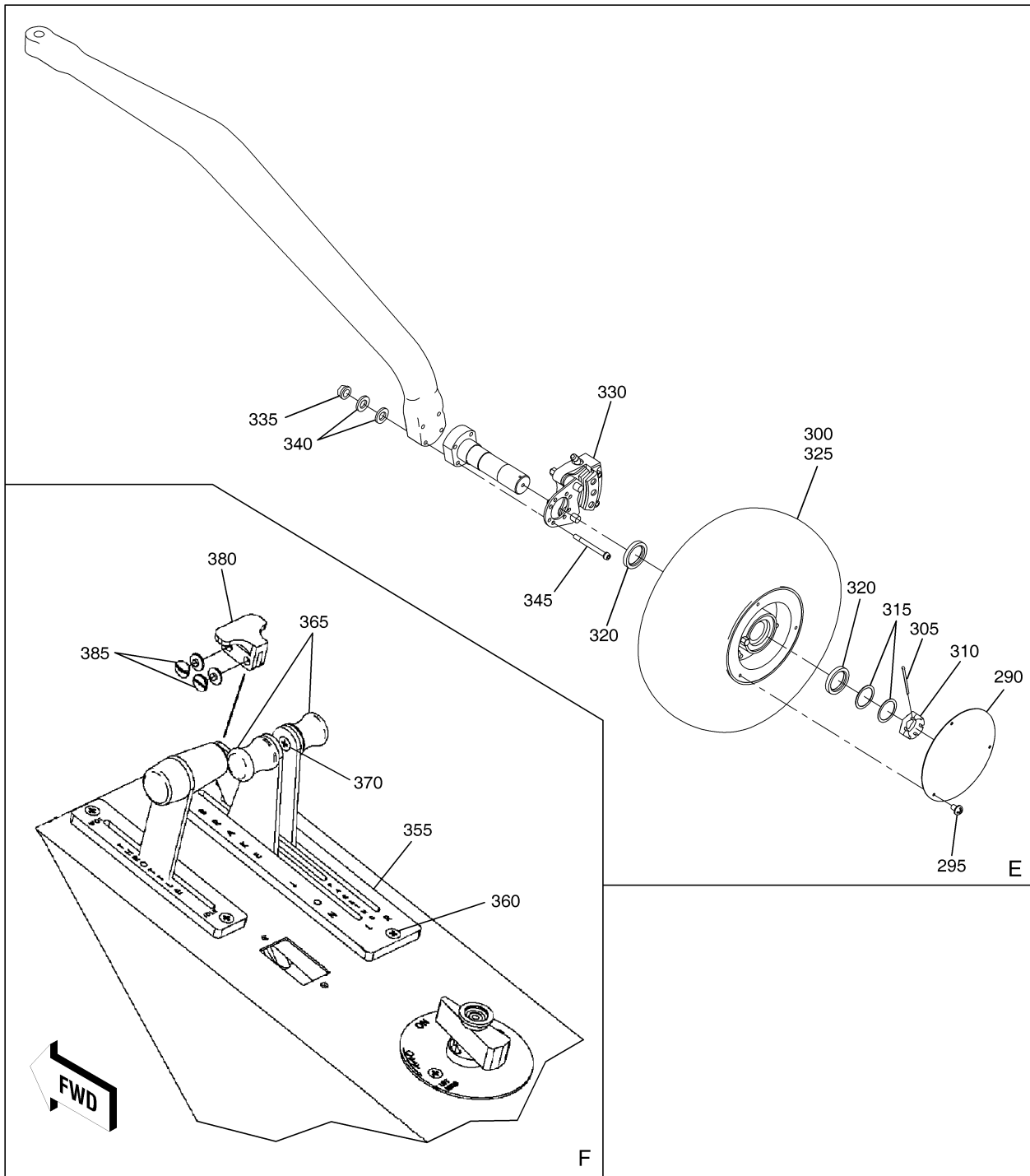
Use or disclosure of this data is subject to restrictions on the Title Page of this document.

32-40-00

LIBERTY AEROSPACE

135A-970-400

ILLUSTRATED PARTS CATALOG



LBTY_324000_01_03_C00

IPL Figure 01 (Sheet 3 of 3)
Brake System

Use or disclosure of this data is subject to restrictions on the Title Page of this document.

32-40-00

LIBERTY AEROSPACE

135A-970-400

ILLUSTRATED PARTS CATALOG

FIG. & ITEM	PART NUMBER	1234567 NOMENCLATURE	EFF CODE	UNITS PER ASSY
01				
- 1	135A-10-064	BRAKE SYSTEM (FOR NHA SEE 28-00-00 FIG. 01)		REF
5	135A-10-068	. SPACE FRAME AND AILERON TORQUE TUBE (FOR DETAIL BREAKDOWN SEE 27-10-00 FIG. 01)		1
10	AE3660000B0400	. HOSE ASSY, TEFLON, MEDIUM PRESSURE		2
15	AN919-2	. REDUCER, FLARE TUBE, EXTERNAL THREAD		2
20	350-4-0120	. HOSE ASSY, FLARED SWIVEL NUT, MEDIUM PRESSURE		2
25	AN816-4D	. ADAPTER, STRAIGHT, PIPE TO TUBE		2
30	10-55A	. BRAKE, MASTER CYLINDER (ATTACHING PARTS)		2
35	MS24665-151	. PIN, SPLIT, 1/16 X 1/2		2
40	MS17825-3	. NUT, CASTELLATED, SELF-LOCKING, 10-32, R/H		2
45	NAS1149F 0332P	. WASHER, FLAT		4
50	AN3-6	. BOLT, 10-32		1
55	AN3-7	. BOLT, 10-32 X 29/32 -----		1
60	135A-40-213	. HANDLE ASSY, BRAKE, PORT		1
65	135A-40-214	. HANDLE ASSY, BRAKE, STBD (ATTACHING PARTS)		1
70	MS24665-151	. PIN, SPLIT, 1/16 X 1/2		1
75	MS17825-3	. NUT, CASTELLATED, SELF-LOCKING, 10-32, R/H		1
80	NAS1149F 0332P	. WASHER, FLAT		7
85	AN3-23	. BOLT, 10-32 -----		1
90	135A-40-583	. BRAKE, RATCHET TEETH, INBD (ATTACHING PARTS)		2
95	MS21042-3	. NUT, SELF-LOCKING, 10-32		2
100	NAS1149F 0332P	. WASHER, FLAT		2
105	135A-40-311	. PLATE, RESTRAINT		2
110	135A-40-541	. BUSHING, OILITE		4
115	AN3-11A	. BOLT, 10-32 -----		2
120	135A-40-203	. LOCK ASSY, HANDBRAKE (ATTACHING PARTS)		1
125	MS24665-151	. PIN, SPLIT, 1/16 X 1/2		1
130	MS17825-3	. NUT, CASTELLATED, SELF-LOCKING, 10-32, R/H		1
135	AN3-5	. BOLT, 10-32 -----		1
140	135A-10-072	. SPACE FRAME U/C (FOR ADDITIONAL DETAILS SEE 24-00-00 FIG. 01 AND 32-10-00 FIG. 01)		REF
145	135A-40-003	. . U/C ASSY, NOSE (FOR ADDITIONAL DETAILS SEE 32-10-00 FIG. 01)		REF
150	135A-40-009	. . . WHEEL ASSY, NOSE (ATTACHING PARTS)		1

- ITEM NOT ILLUSTRATED

Use or disclosure of this data is subject to restrictions on the Title Page of this document.

LIBERTY AEROSPACE

135A-970-400

ILLUSTRATED PARTS CATALOG

FIG. & ITEM	PART NUMBER	1234567 NOMENCLATURE	EFF CODE	UNITS PER ASSY
01				
155	NASM24665-153	... PIN, SPLIT 1/16 X 3/4		1
160	MS17826-5	... NUT, CASTLE 5/16-24		1
165	AN970-5	... WASHER, FLAT		2
170	AN5-64	... BOLT, 5/16-24		1

175	40-77	... WHEEL ASSY		1
180	135A-40-555	... FRICTION BASE, NOSE U/C		1
		(ATTACHING PARTS)		
185	MS24665-428	... PIN, SPLIT, 5/32		1
190	MS17825-10	... NUT, CASTLE 5/8-18		1
195	5808-275-62	... WASHER, BELLEVILLE SPRING		6
200	NAS1149F1063P	... WASHER, FLAT		1

205	135A-40-303	... FRICTION PAD, NOSE U/C		1
		(ATTACHING PARTS)		
210	135A-40-565	... PIN, NOSE LOCK		1

215	MS35207-245	... SCREW, MACHINE, PAN HEAD #8 .500 LONG		1
220	MS35333-38	... LOCKWASHER, INTERNAL TEETH		1
225	135A-40-015	... CASTOR ASSY, NOSE WHEEL		1
		(ATTACHING PARTS)		
230	NAS1407P11M18	... PIN, SPRING COIL .188 DIA X 1,125 LONG		1
235	MS17826-14	... NUT, CASTLE, 7/8-14		1
240	135A-40-569	... WASHER, LOWER THRUST		1
245	135A-40-567	... WASHER, UPPER THRUST		1

250	135A-40-207	... WELDMENT, CASTOR		1
255	135A-40-517	... BEARING HOUSE, NOSE U/C		1
		(ATTACHING PARTS)		
260	MS21042-4	... NUT, 1/4-28		4
265	NAS1149F0463P	... WASHER		8
270	NAS6604-58	... BOLT, HEX HEAD		4

275	HR30205J	... ROLLER BEARING, SINGLE ROW TAPERED		2
280	135A-40-005	.. U/C ASSY, MAIN, PORT (FOR ADDITIONAL DETAILS SEE 32-10-00 FIG. 01)		REF
285	135A-40-006	.. U/C ASSY, MAIN, STBD (FOR ADDITIONAL DETAILS SEE 32-10-00 FIG. 01)		REF
290	157-00800	... SHIELD, DUST		1
		(ATTACHING PARTS)		
295	MS35206-241	... SCREW, MACHINE, PAN HEAD		3

- ITEM NOT ILLUSTRATED

Use or disclosure of this data is subject to restrictions on the Title Page of this document.

LIBERTY AEROSPACE

135A-970-400

ILLUSTRATED PARTS CATALOG

FIG. & ITEM	PART NUMBER	1234567 NOMENCLATURE	EFF CODE	UNITS PER ASSY
01				
300	135A-40-007	. . . WHEEL ASSY, MAIN (ATTACHING PARTS)		1
305	MS24665-309	. . . PIN, SPLIT, 3/32 X 2		1
310	MS21025-20	. . . NUT, AXLE, 1 1/4 X 16		1
315	5710-759-30	. . . WASHER, FLAT		2
320	11716	. . . SPACER, AXLE		2
		- - - * * * - - -		
325	40-78B WHEEL		1
330	30-9C	. . . CALIPER, BRAKE (ATTACHING PARTS)		1
335	MS21042-4	. . . NUT, SELF-LOCKING, 1/4-28		4
340	MS9320-10	. . . WASHER, FLAT		8
345	NAS6204-34	. . . BOLT, INTERNAL WRENCHING, 160K PSI		4
		- - - * * * - - -		
- 350	135A-10-041	FUSELAGE TO SPACE FRAME (FOR NHA SEE 53-00-00 FIG. 01) (FOR ADDITIONAL DETAILS SEE 25-10-00 FIG. 01, 27-40-00 FIG. 01, 52-10-00 FIG. 01, 33-10-00 FIG. 01, AND 73-20-00 FIG. 01)		REF
355	135A-10-330	. GUIDE PLATE, HANDBRAKE LEVER (ATTACHING PARTS)		1
360	MS24694-C51	. SCREW, MACHINE, 10-32		2
		- - - * * * - - -		
365	135A-40-545	. HANDLE BOSS (ATTACHING PARTS)		2
370	MS24694-S51	. SCREW, MACHINE, 10-32		1
		- - - * * * - - -		
- 375	135A-10-035	FUSELAGE ASSY, CONTINUATION BUILD (FOR NHA SEE 03-00-00 FIG. 02) (FOR ADDITIONAL DETAILS SEE 11-30-00 FIG. 01, 24-00-00 FIG. 01, 28-00-00 FIG. 01 AND 53-00-00 FIG. 01)		REF
380	135A-40-587	. HANDLE, PARKING BRAKE LOCK (ATTACHING PARTS)		1
385	Z4300	. BINDING POST		2
		- - - * * * - - -		

- ITEM NOT ILLUSTRATED

Use or disclosure of this data is subject to restrictions on the Title Page of this document.

LIBERTY AEROSPACE

135A-970-400

ILLUSTRATED PARTS CATALOG

THIS PAGE INTENTIONALLY LEFT BLANK

Use or disclosure of this data is subject to restrictions on the Title Page of this document.

32-40-00

Page 8
NOV 1/07

LIBERTY AEROSPACE

135A-970-400

ILLUSTRATED PARTS CATALOG

DETAILED PARTS LIST

Use or disclosure of this data is subject to restrictions on the Title Page of this document.

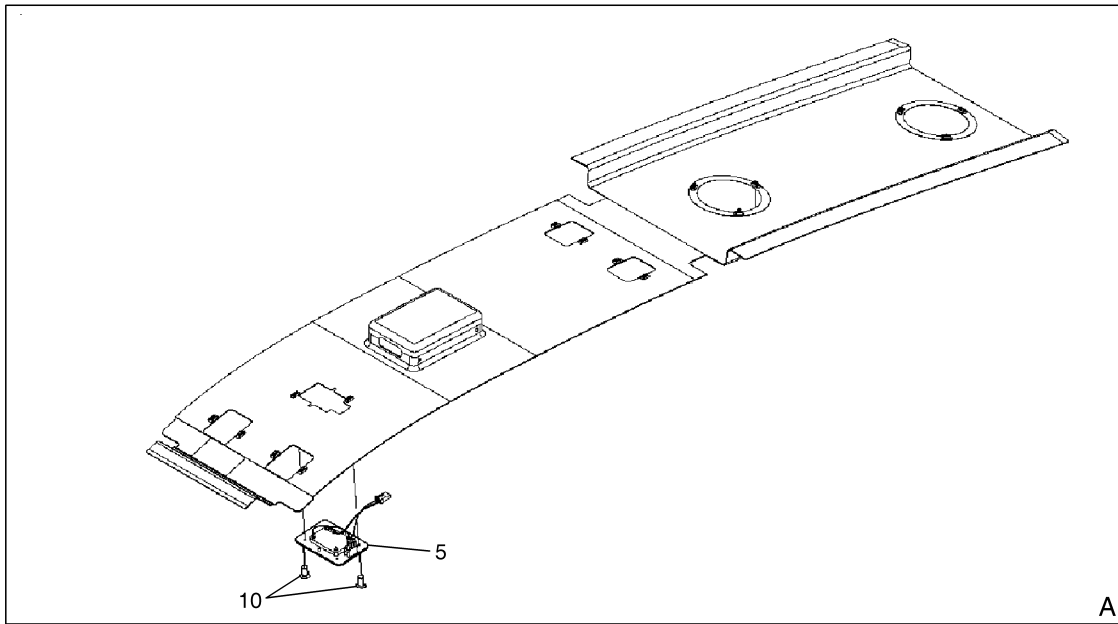
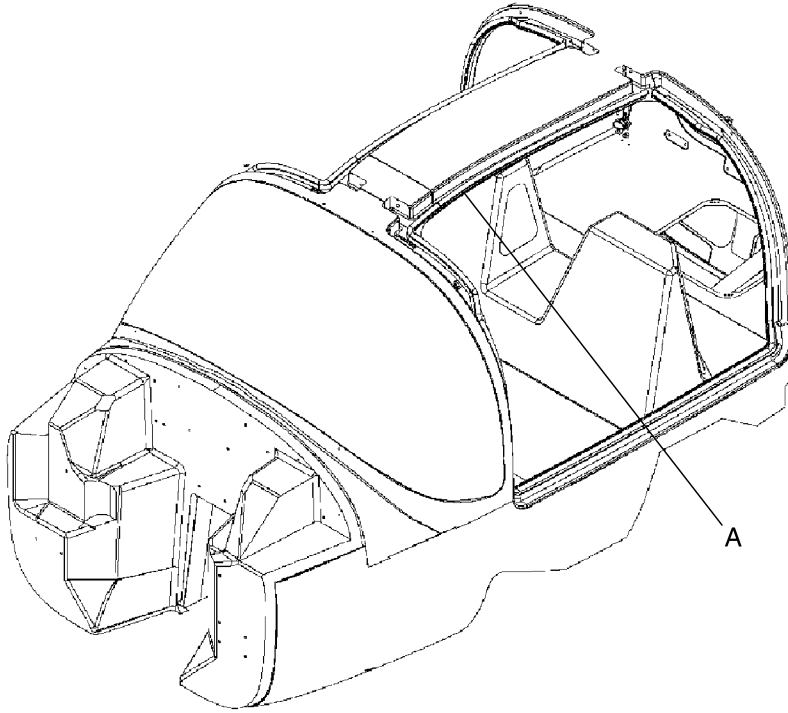
33-10-00

Page 1
NOV 1/07

LIBERTY AEROSPACE

135A-970-400

ILLUSTRATED PARTS CATALOG



LBTY_331000_01_01_C00

IPL Figure 01
Flight Compartment Lighting

Use or disclosure of this data is subject to restrictions on the Title Page of this document.

33-10-00

Page 2
NOV 1/07

LIBERTY AEROSPACE

135A-970-400

ILLUSTRATED PARTS CATALOG

FIG. & ITEM	PART NUMBER	1234567 NOMENCLATURE	EFF CODE	UNITS PER ASSY
01				
- 1	135A-10-041	FUSELAGE TO SPACE FRAME (FOR NHA SEE 53-00-00 FIG. 01) (FOR ADDITIONAL DETAILS SEE 25-10-00 FIG. 01, 27-40-00 FIG. 01, 52-10-00 FIG. 01, 33-10-00 FIG. 01, AND 73-20-00 FIG. 01)		REF
5	135A-81-313	. LIGHT ASSEMBLY, CABIN (ATTACHING PARTS)		1
10	MS51957-16	. SCREW, PAN HEAD, 4-40 -----		2
- 15	135A-10-045	. SPACE FRAME ELECTRICAL (FOR DETAIL BREAKDOWN SEE 23-10-00 FIG. 01, 24-00-00 FIG. 01 AND 31-10-00 FIG. 01)		1
- 20	135A-10-101	. FUSELAGE ELECTRICAL (FOR DETAIL BREAKDOWN SEE 11-30-00 FIG. 01, 23-20-00 FIG. 01 AND 31-10-00 FIG. 01)		1

- ITEM NOT ILLUSTRATED

LIBERTY AEROSPACE

135A-970-400

ILLUSTRATED PARTS CATALOG

THIS PAGE INTENTIONALLY LEFT BLANK

Use or disclosure of this data is subject to restrictions on the Title Page of this document.

33-10-00

Page 4
NOV 1/07

LIBERTY AEROSPACE

135A-970-400

ILLUSTRATED PARTS CATALOG

DETAILED PARTS LIST

Use or disclosure of this data is subject to restrictions on the Title Page of this document.

33-40-00

Page 1
NOV 1/07

LIBERTY AEROSPACE

135A-970-400

ILLUSTRATED PARTS CATALOG

THIS PAGE INTENTIONALLY LEFT BLANK

Use or disclosure of this data is subject to restrictions on the Title Page of this document.

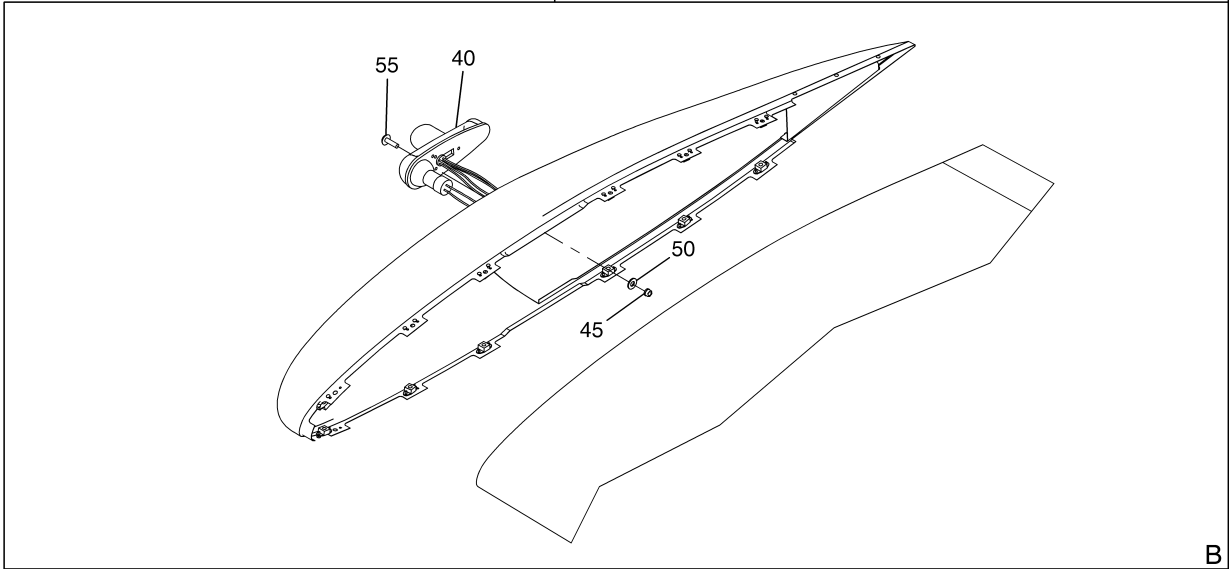
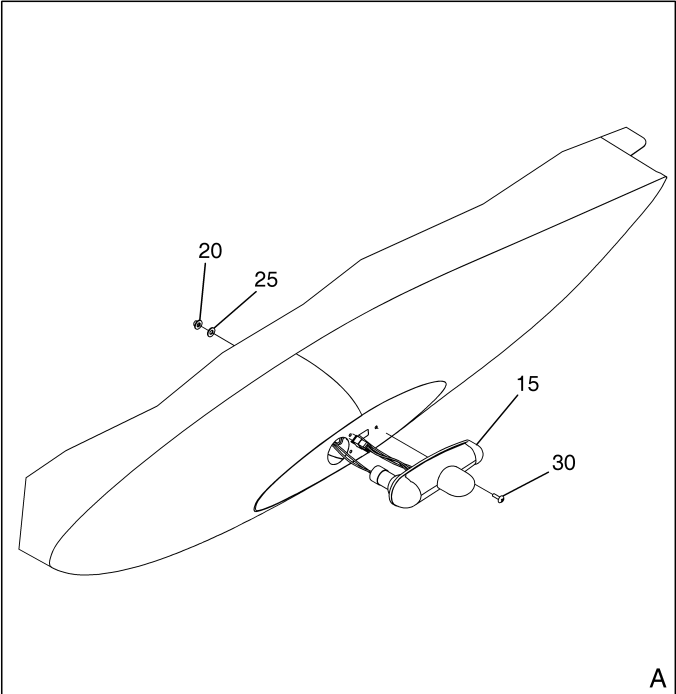
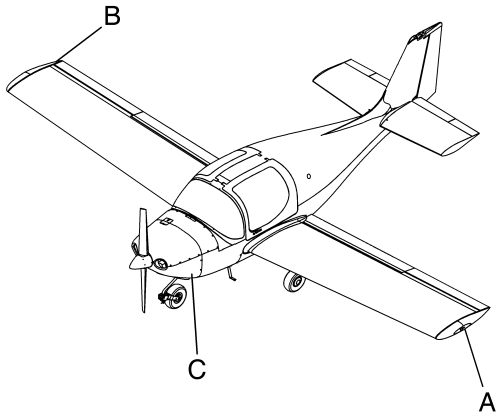
33-40-00

Page 2
NOV 1/07

LIBERTY AEROSPACE

135A-970-400

ILLUSTRATED PARTS CATALOG



LBTY_334000_01_01_C00

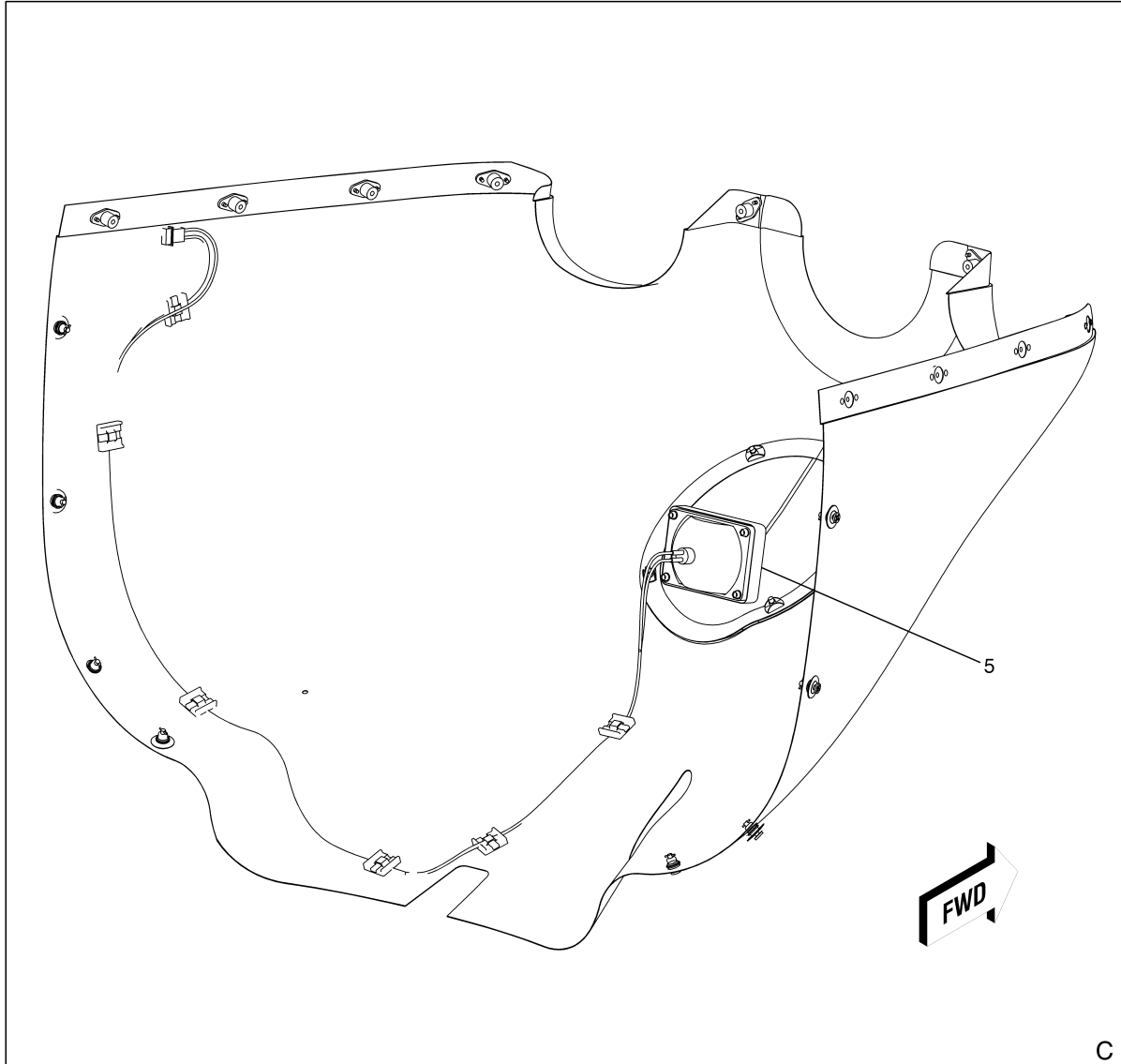
IPL Figure 01 (Sheet 1 of 2)
Exterior Lights

Use or disclosure of this data is subject to restrictions on the Title Page of this document.

LIBERTY AEROSPACE

135A-970-400

ILLUSTRATED PARTS CATALOG



LBTY_334000_01_02_C00

IPL Figure 01 (Sheet 2 of 2)
Exterior Lights

Use or disclosure of this data is subject to restrictions on the Title Page of this document.

33-40-00

LIBERTY AEROSPACE

135A-970-400

ILLUSTRATED PARTS CATALOG

FIG. & ITEM	PART NUMBER	1234567 NOMENCLATURE	EFF CODE	UNITS PER ASSY
01				
- 1	135A-50-105	LOWER COWL ASSEMBLY (FOR NHA SEE 72-00-00 FIG. 01) (FOR ADDITIONAL DETAILS SEE 71-10-00 FIG. 01)		REF
5	01-0770346-09	. LIGHT, LANDING, W/54" LG WIRE		1
- 10	135A-20-007	WING, AILERON AND FLAP ASSEMBLY, PORT (FOR NHA SEE 03-00-00 FIG. 02) (FOR ADDITIONAL DETAILS SEE 57-00-00 FIG. 01)		REF
15	135A-81-233	. CONNECTOR ASSEMBLY, STROBE LIGHT, PORT (ATTACHING PARTS)		1
20	MS21042-6	. NUT, SELF-LOCKING, 6-32		3
25	NAS1149CN632R	. WASHER, FLAT		3
30	MS35206-230	. SCREW, MACHINE, PAN HEAD, 6-32 X 1/2		3
		- - - * * * - - -		
- 35	135A-20-008	WING, AILERON AND FLAP ASSEMBLY, STBD (FOR NHA SEE 03-00-00 FIG. 02) (FOR ADDITIONAL DETAILS SEE 57-00-00 FIG. 01)		REF
40	135A-81-234	. CONNECTOR ASSEMBLY, STROBE LIGHT, STBD (ATTACHING PARTS)		1
45	MS21042-6	. NUT, SELF-LOCKING, 6-32		3
50	NAS1149CN632R	. WASHER, FLAT		3
55	MS35206-230	. SCREW, MACHINE, PAN HEAD, 6-32 X 1/2		3
		- - - * * * - - -		

- ITEM NOT ILLUSTRATED

LIBERTY AEROSPACE

135A-970-400

ILLUSTRATED PARTS CATALOG

THIS PAGE INTENTIONALLY LEFT BLANK

Use or disclosure of this data is subject to restrictions on the Title Page of this document.

33-40-00

Page 6
NOV 1/07

LIBERTY AEROSPACE

135A-970-400

ILLUSTRATED PARTS CATALOG

DETAILED PARTS LIST

Use or disclosure of this data is subject to restrictions on the Title Page of this document.

34-10-00

Page 1
NOV 1/07

LIBERTY AEROSPACE

135A-970-400

ILLUSTRATED PARTS CATALOG

THIS PAGE INTENTIONALLY LEFT BLANK

Use or disclosure of this data is subject to restrictions on the Title Page of this document.

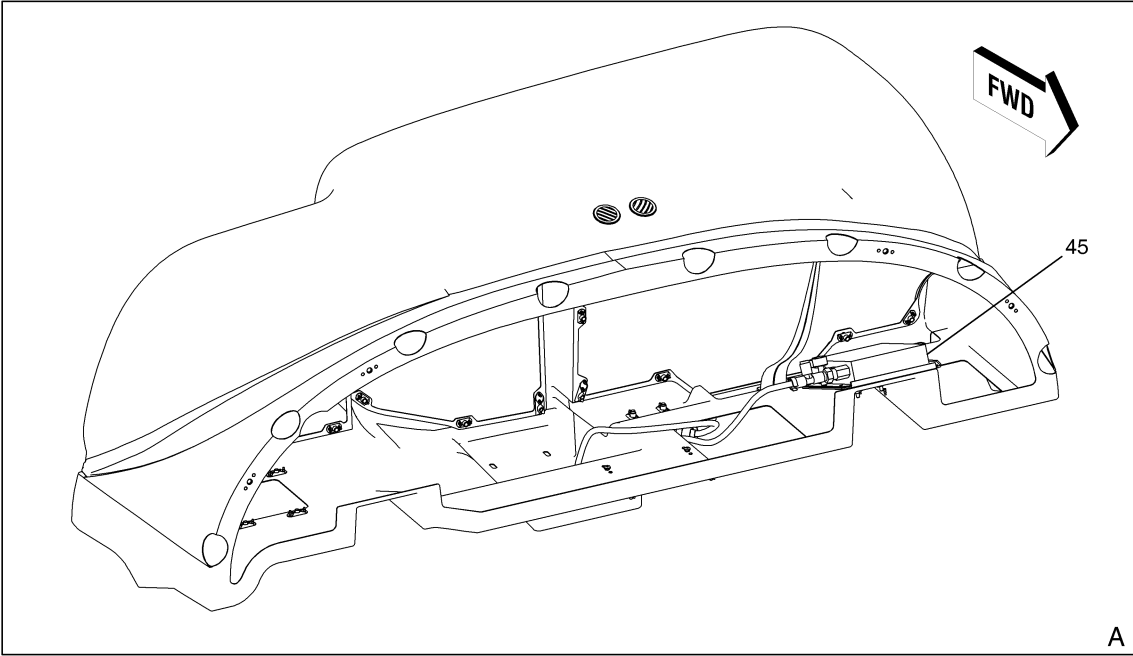
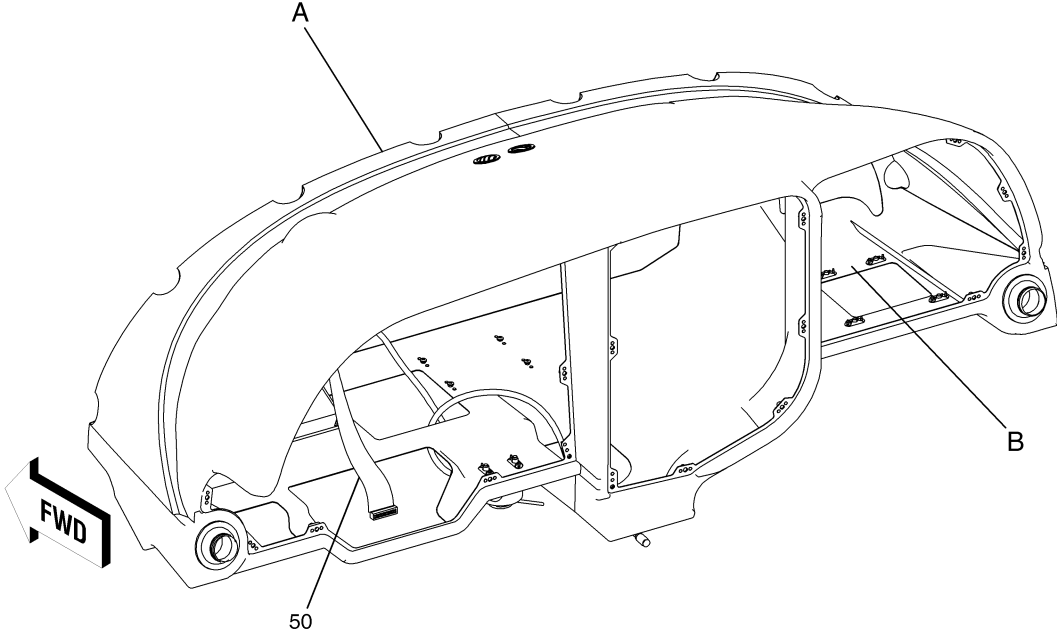
34-10-00

Page 2
NOV 1/07

LIBERTY AEROSPACE

135A-970-400

ILLUSTRATED PARTS CATALOG



LBTY_341000_01_01_C00

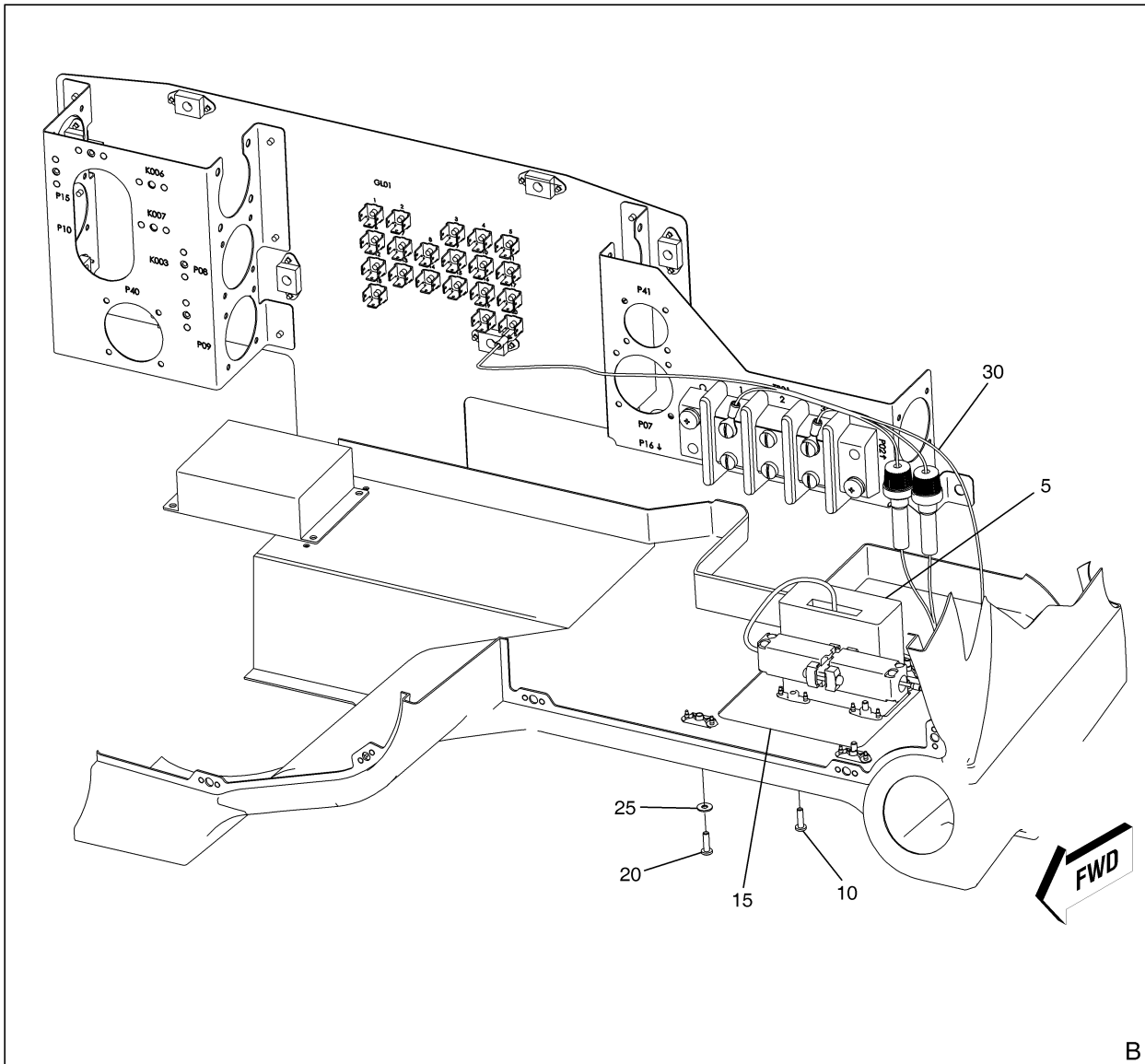
IPL Figure 01 (Sheet 1 of 2)
Altitude Encoder and EDI Installation

Use or disclosure of this data is subject to restrictions on the Title Page of this document.

LIBERTY AEROSPACE

135A-970-400

ILLUSTRATED PARTS CATALOG



LBTY_341000_01_02_C00

IPL Figure 01 (Sheet 2 of 2)
Altitude Encoder and EDI Installation

Use or disclosure of this data is subject to restrictions on the Title Page of this document.

34-10-00

LIBERTY AEROSPACE

135A-970-400

ILLUSTRATED PARTS CATALOG

FIG. & ITEM	PART NUMBER	1234567 NOMENCLATURE	EFF CODE	UNITS PER ASSY
01				
- 1	135A-80-008	EDI INSTALLATION (FOR NHA SEE 03-00-00 FIG. 02)		REF
5	657230	. EDI ASSY		1
		(ATTACHING PARTS)		
10	MS51957-30	. SCREW, PAN HEAD 6-32 X .500		4

15	135A-80-173	. BRACKET ASSY, EDI		1
		(ATTACHING PARTS)		
20	MS51957-30	. SCREW, PAN HEAD 6-32 X .500		4
25	NAS1149CN632R	. WASHER, FLAT		4

30	135A-81-346	. HARNESS, EDI		1
- 35	135A-80-163	INSTRUMENT PANEL CONSOLE ASSY (FOR NHA AND ADDITIONAL DETAILS SEE 03-00-00 FIG. 01)		REF
		(ATTACHING PARTS)		
- 40	AN525C-1032R12	. SCREW, MACHINE, 10-32		8

45	705154-00	. ALTITUDE ENCODER SYSTEM, SAE5-35		1
50	135A-81-239	. DISPLAY CABLE, VM1000FX		1

- ITEM NOT ILLUSTRATED

LIBERTY AEROSPACE

135A-970-400

ILLUSTRATED PARTS CATALOG

THIS PAGE INTENTIONALLY LEFT BLANK

Use or disclosure of this data is subject to restrictions on the Title Page of this document.

34-10-00

Page 6
NOV 1/07

LIBERTY AEROSPACE

135A-970-400

ILLUSTRATED PARTS CATALOG

DETAILED PARTS LIST

Use or disclosure of this data is subject to restrictions on the Title Page of this document.

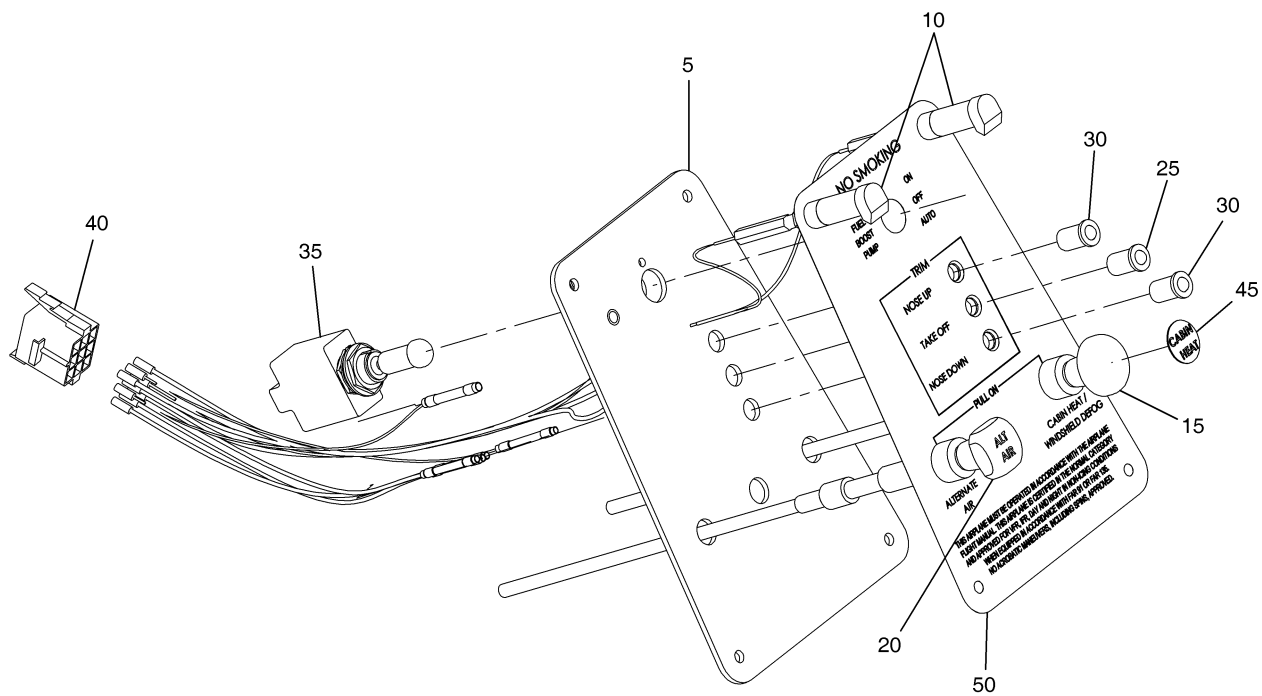
39-10-00

Page 1
NOV 1/07

LIBERTY AEROSPACE

135A-970-400

ILLUSTRATED PARTS CATALOG



LBTY_391000_01_01_C00

IPL Figure 01
Center Console Assembly

Use or disclosure of this data is subject to restrictions on the Title Page of this document.

39-10-00

LIBERTY AEROSPACE

135A-970-400

ILLUSTRATED PARTS CATALOG

FIG. & ITEM	PART NUMBER	1234567 NOMENCLATURE	EFF CODE	UNITS PER ASSY
01				
- 1	135A-80-101	CENTER CONSOLE ASSY (FOR NHA SEE 53-10-00 FIG. 01)		REF
5	135A-80-105	. PANEL ASSY CENTER CONSOLE		1
10	01-0770844-00	. LIGHT, POST		2
15	05-14200	. DASH CONTROL BUTTON TYPE		1
20	38012900	. CABLE ASSY, ALTERNATE AIR CONTROL		1
25	BR1-3047-9901-S	. LED, GREEN, T1 3/4 PANEL MOUNT		1
30	BR1-3048-9901-S	. LED, AMBER, T1 3/4 PANEL MOUNT		2
35	MS24658-21A	. SWITCH, LOCKING TOGGLE		1
40	1-480274	. SOCKET HOUSING, 9 CIRCUIT MATE-N-LOK		1
45	05-14420	. INSERT, CABIN HEATER		1
50	135A-80-323	. LABEL, CENTER CONSOLE, IFR		1

- ITEM NOT ILLUSTRATED

LIBERTY AEROSPACE

135A-970-400

ILLUSTRATED PARTS CATALOG

THIS PAGE INTENTIONALLY LEFT BLANK

Use or disclosure of this data is subject to restrictions on the Title Page of this document.

39-10-00

Page 4
NOV 1/07

LIBERTY AEROSPACE

135A-970-400

ILLUSTRATED PARTS CATALOG

DETAILED PARTS LIST

Use or disclosure of this data is subject to restrictions on the Title Page of this document.

52-10-00

Page 1
NOV 1/07

LIBERTY AEROSPACE

135A-970-400

ILLUSTRATED PARTS CATALOG

THIS PAGE INTENTIONALLY LEFT BLANK

Use or disclosure of this data is subject to restrictions on the Title Page of this document.

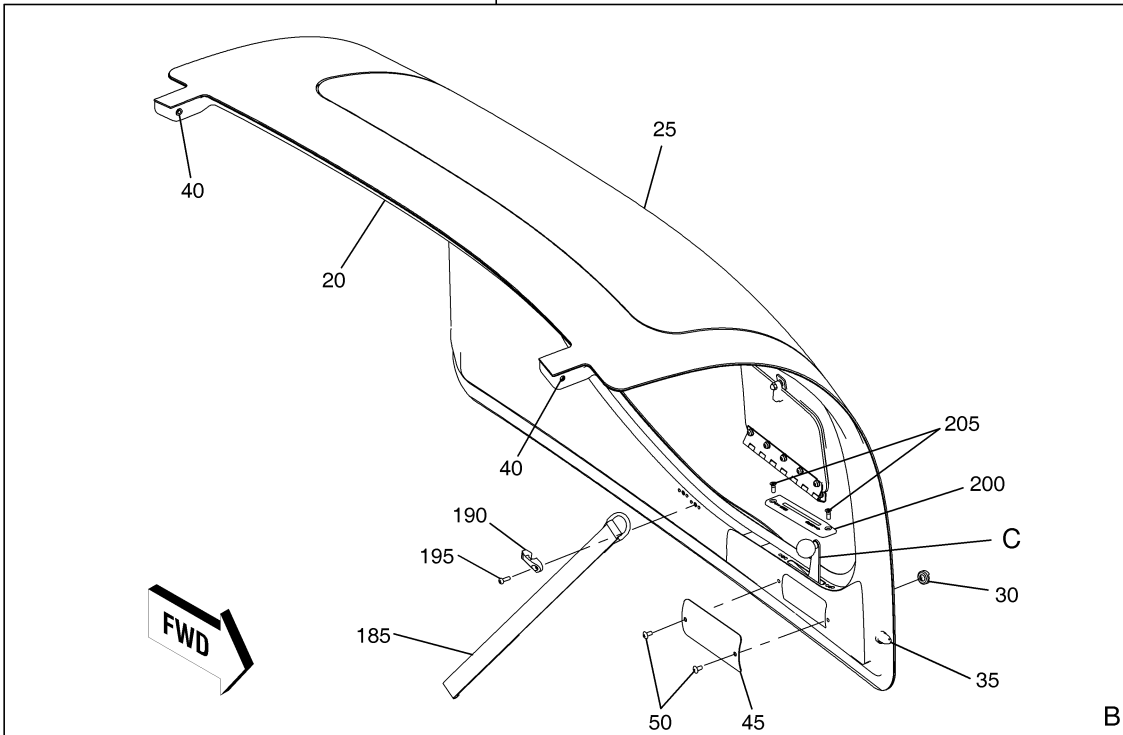
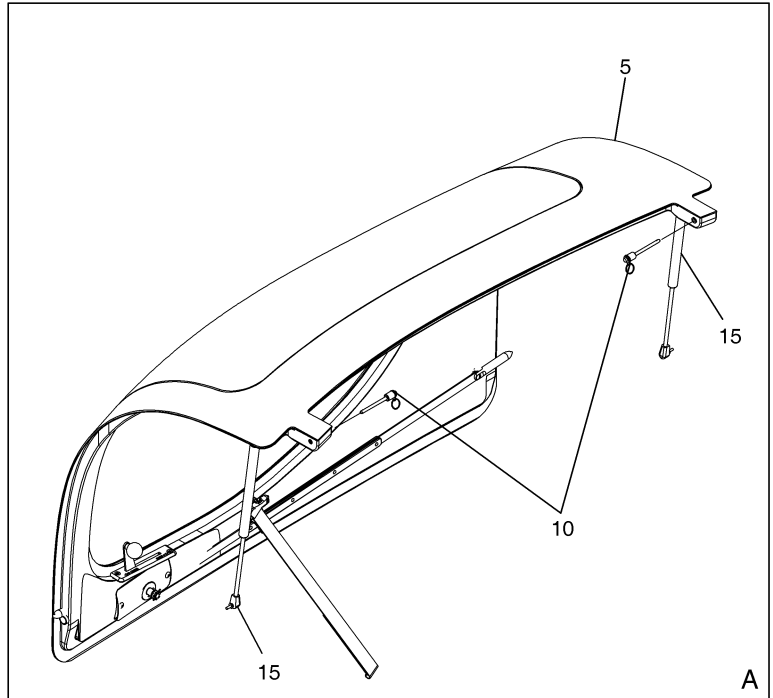
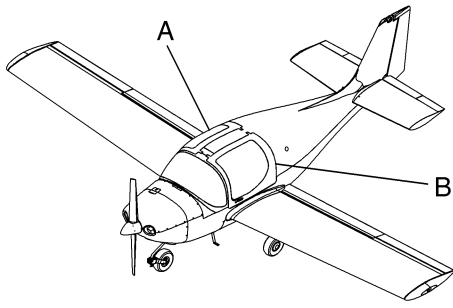
52-10-00

Page 2
NOV 1/07

LIBERTY AEROSPACE

135A-970-400

ILLUSTRATED PARTS CATALOG



LBTY_521000_01_01_C00

IPL Figure 01 (Sheet 1 of 2)
Port and Starboard Door Assembly

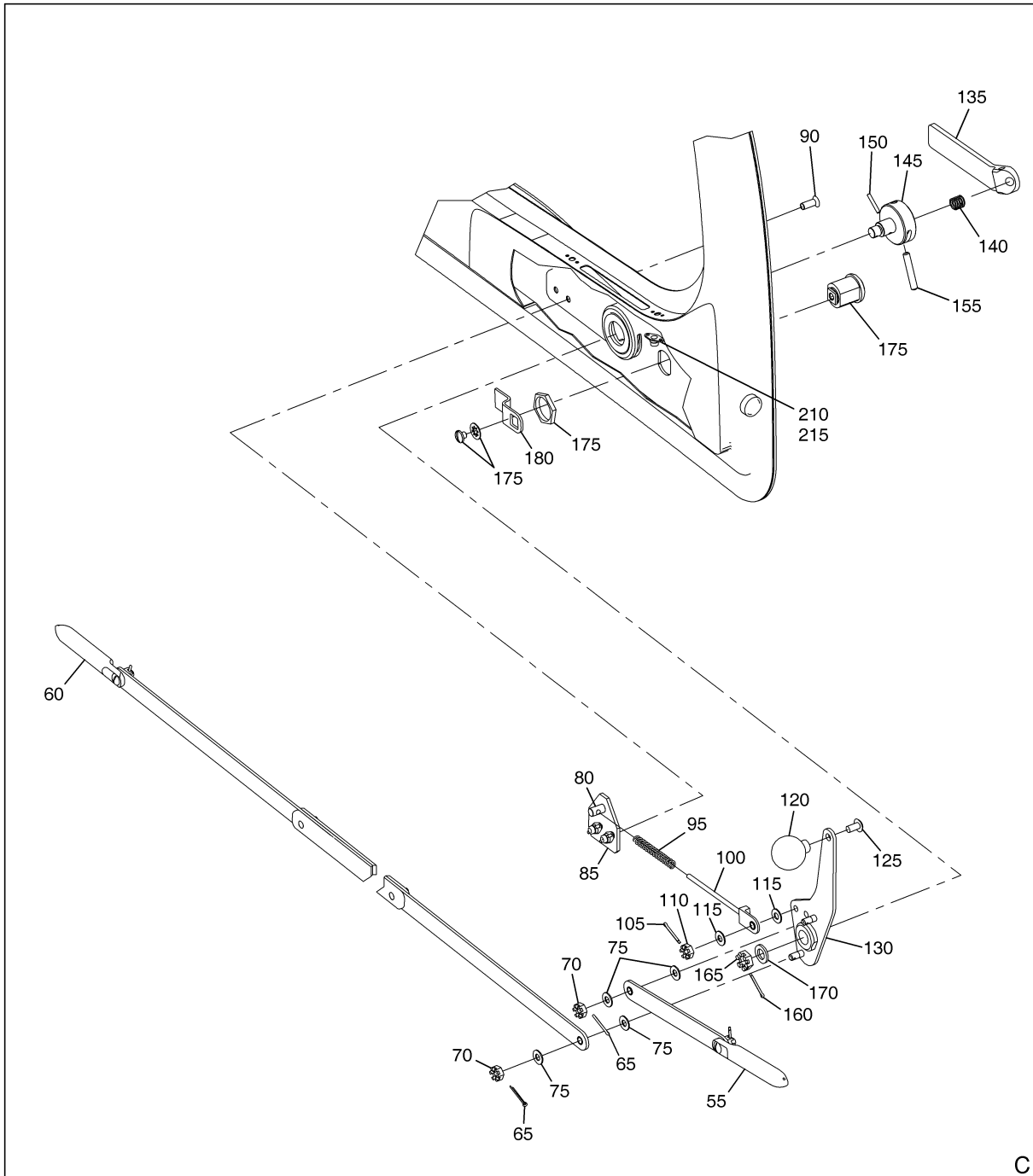
Use or disclosure of this data is subject to restrictions on the Title Page of this document.

52-10-00

LIBERTY AEROSPACE

135A-970-400

ILLUSTRATED PARTS CATALOG



LBTY_521000_01_02_C00

IPL Figure 01 (Sheet 2 of 2)
Port and Starboard Door Assembly

Use or disclosure of this data is subject to restrictions on the Title Page of this document.

52-10-00

LIBERTY AEROSPACE

135A-970-400

ILLUSTRATED PARTS CATALOG

FIG. & ITEM	PART NUMBER	1234567 NOMENCLATURE	EFF CODE	UNITS PER ASSY
01				
- 1	135A-10-041	FUSELAGE TO SPACE FRAME (FOR NHA SEE 53-00-00 FIG. 01) (FOR ADDITIONAL DETAILS SEE 25-10-00 FIG. 01, 27-40-00 FIG. 01, 52-10-00 FIG. 01, 33-10-00 FIG. 01, AND 73-20-00 FIG. 01)		REF
5	135A-10-125	. DOOR ASSY, PORT		1
5	135A-10-126	. DOOR ASSY, STBD		1
		(ATTACHING PARTS)		
10	90985A106	. PIN, QUICK RELEASE, PUSH BUTTON		2
15	52304	. GAS SPRING		2
		- - - * * * - - -		
20	135A-10-127	. . DOOR FRAME ASSY, PORT		1
20	135A-10-128	. . DOOR FRAME ASSY, STBD		1
25	135A-08-103	. . . DOOR SCREEN ASSY, PORT (SEE NOTE 1)		1
25	135A-10-389	. . . DOOR SCREEN, PORT (SEE NOTE 1)		1
25	135A-08-104	. . . DOOR SCREEN ASSY, STBD (SEE NOTE 1)		1
25	135A-10-390	. . . DOOR SCREEN, STBD (SEE NOTE 1)		1
30	135A-10-919	. . . PIVOT HOUSING, CANOPY LATCH, PORT		1
30	135A-10-920	. . . PIVOT HOUSING, CANOPY LATCH, STBD		1
35	135A-10-967	. . . BUSHING, DOOR PIN		2
40	135A-10-983	. . . BUSHING, DOOR HINGE		2
45	135A-10-469	. . COVER, ACCESS, PORT		1
45	135A-10-470	. . COVER, ACCESS, STBD		1
		(ATTACHING PARTS)		
50	AN526-C1032R6	. . SCREW, MACHINE, 10-32 X .375		2
		- - - * * * - - -		
55	135A-10-197	. . ACTUATOR PIN ASSY, FWD		1
60	135A-10-198	. . ACTUATOR PIN ASSY, AFT		1
		(ATTACHING PARTS)		
65	MS24665-134	. . PIN, SPLIT, 1/16 X 3/4		1
70	MS17826-3	. . NUT, CASTELLATED, SELF-LOCKING		1
75	NAS1149C0332R	. . WASHER, FLAT		2
		- - - * * * - - -		
80	135A-10-933	. . PIVOT PIN, SPRING RETAINER		1
85	135A-10-281	. . RETAINER PLATE ASSY, PIVOT PIN		1
		(ATTACHING PARTS)		
90	MS24694-C48	. . SCREW, MACHINE, 10-32		2
		- - - * * * - - -		
95	W-55	. . SPRING, COMPRESSION		1
100	135A-10-224	. . WELDMENT, SPRING RETAINER		1
		(ATTACHING PARTS)		
105	MS24665-134	. . PIN, SPLIT, 1/16 X 3/4		1
110	MS17826-3	. . NUT, CASTELLATED, SELF-LOCKING		1
115	NAS1149C0332R	. . WASHER, FLAT		2

- ITEM NOT ILLUSTRATED

Use or disclosure of this data is subject to restrictions on the Title Page of this document.

LIBERTY AEROSPACE

135A-970-400

ILLUSTRATED PARTS CATALOG

FIG. & ITEM	PART NUMBER	1234567 NOMENCLATURE	EFF CODE	UNITS PER ASSY
01				
	120 6146K12	.. KNOB, PHENOLIC BALL, 10-32 (RED) (ATTACHING PARTS)		1
	125 AN526-C1032R6	.. SCREW, MACHINE, 10-32 X .375		1
	130 135A-10-237	.. WELDMENT, HANDLE, DOOR LATCH, PORT		1
	130 135A-10-238	.. WELDMENT, HANDLE, DOOR LATCH, STBD		1
	135 135A-10-947	.. HANDLE, DOOR, EXTERIOR, PORT		1
	135 135A-10-948	.. HANDLE, DOOR, EXTERIOR, STBD		1
	140 LC-018C-4-M	.. SPRING, COMPRESSION ALTERNATE PART		1
	140 LC018C04MMS	.. SPRING, COMPRESSION		1
	145 135A-10-921	.. PIVOT, CANOPY LATCH, PORT		1
	145 135A-10-922	.. PIVOT, CANOPY LATCH, STBD (ATTACHING PARTS)		1
	150 MS16562-215	.. PIN, SPRING, 3/32 X 5/8		1
	155 MS16562-239	.. PIN, SPRING, 3/16 X 1-1/8		1
	160 MS24665-134	.. PIN, SPLIT, 1/16 X 3/4		1
	165 MS17826-5	.. NUT, CASTELLATED, SELF-LOCKING		1
	170 NAS1149C0563R	.. WASHER, FLAT		1
	175 A-510-2K	.. SWITCH SET, IGNITION		1
	180 135A-10-937	.. OFFSET CAM, DOOR LOCK		1
	185 135A-10-383	.. STRAP, DOOR		1
	190 424B	.. FLAIRLEAD (ATTACHING PARTS)		1
	195 MS51957-45	.. SCREW, PAN HEAD, 8-32		2
	200 135A-10-385	.. PLATE, GUIDE, DOOR LATCH, PORT		1
	200 135A-10-386	.. PLATE, GUIDE, DOOR LATCH, STBD (ATTACHING PARTS)		1
	205 MS24694-C50	.. SCREW, MACHINE, 10-32		2
	210 MS21075-L3N	.. NUTPLATE (ATTACHING PARTS)		2
-	215 MS20605R3W2	.. RIVET, BLIND ALTERNATE PART		2
-	215 CCR264CS3-2	.. RIVET, BLIND		2

- ITEM NOT ILLUSTRATED

Use or disclosure of this data is subject to restrictions on the Title Page of this document.

52-10-00

LIBERTY AEROSPACE

135A-970-400

ILLUSTRATED PARTS CATALOG

FIG. & ITEM	PART NUMBER	1234567 NOMENCLATURE	EFF CODE	UNITS PER ASSY
01		NOTES: 1. DOOR SCREEN VARIES BY AIRCRAFT, REFER TO AIRCRAFT FLIGHT MANUAL, CUSTOMER PURCHASE ORDER OR THE PART NUMBER MARKED ON THE COMPONENT TO ORDER SPARES.		

- ITEM NOT ILLUSTRATED

Use or disclosure of this data is subject to restrictions on the Title Page of this document.

LIBERTY AEROSPACE

135A-970-400

ILLUSTRATED PARTS CATALOG

THIS PAGE INTENTIONALLY LEFT BLANK

Use or disclosure of this data is subject to restrictions on the Title Page of this document.

52-10-00

Page 8
NOV 1/07

LIBERTY AEROSPACE

135A-970-400

ILLUSTRATED PARTS CATALOG

DETAILED PARTS LIST

Use or disclosure of this data is subject to restrictions on the Title Page of this document.

53-00-00

Page 1
NOV 1/07

LIBERTY AEROSPACE

135A-970-400

ILLUSTRATED PARTS CATALOG

THIS PAGE INTENTIONALLY LEFT BLANK

Use or disclosure of this data is subject to restrictions on the Title Page of this document.

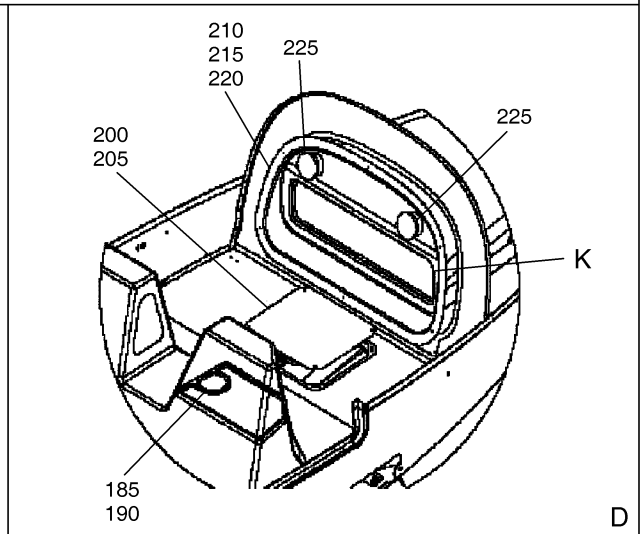
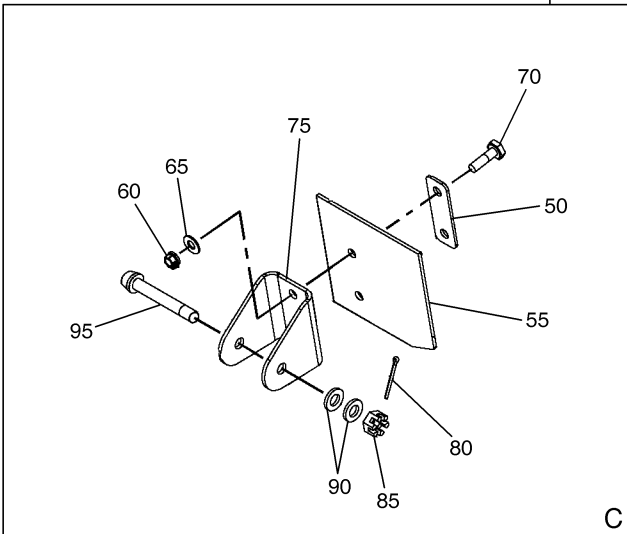
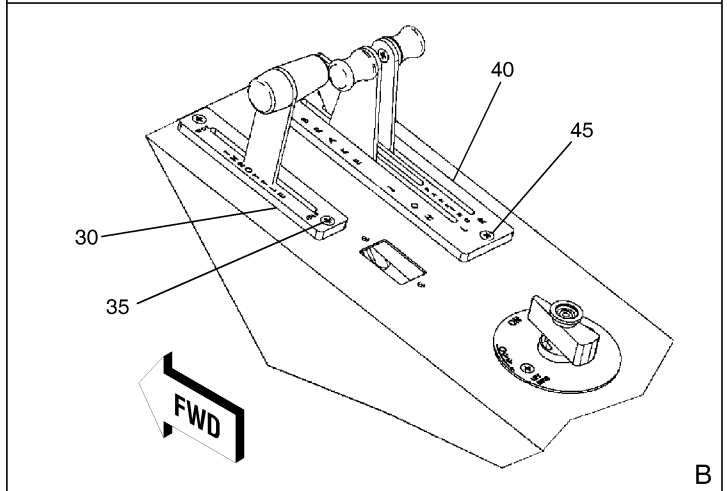
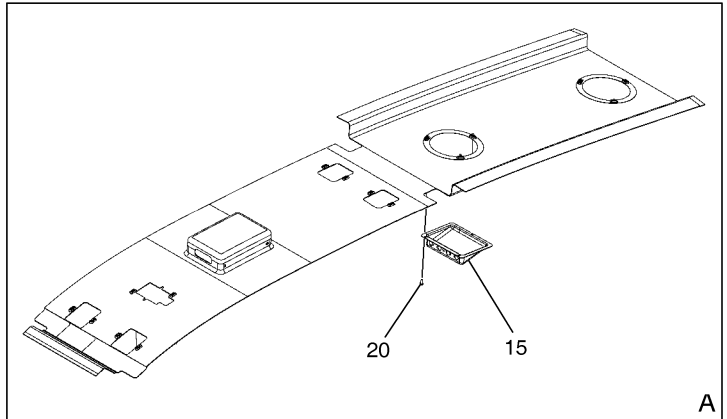
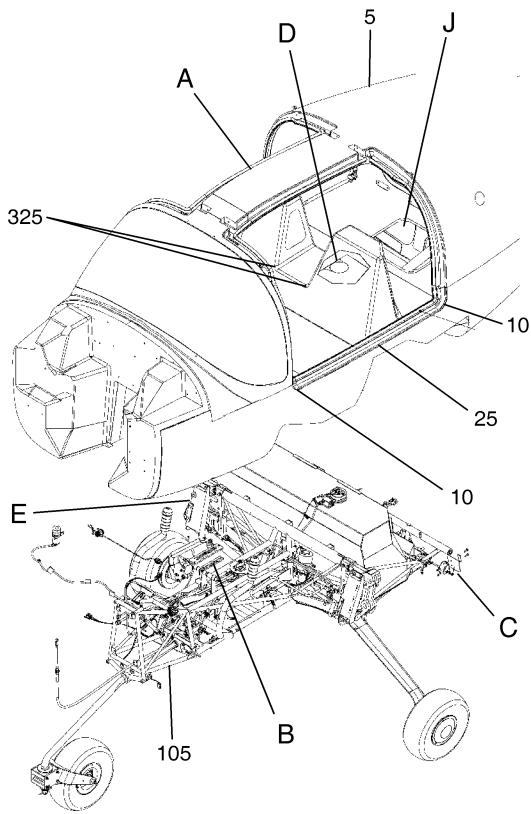
53-00-00

Page 2
NOV 1/07

LIBERTY AEROSPACE

135A-970-400

ILLUSTRATED PARTS CATALOG



LBTY_530000_01_01_C00

IPL Figure 01 (Sheet 1 of 4)
Fuselage Assembly

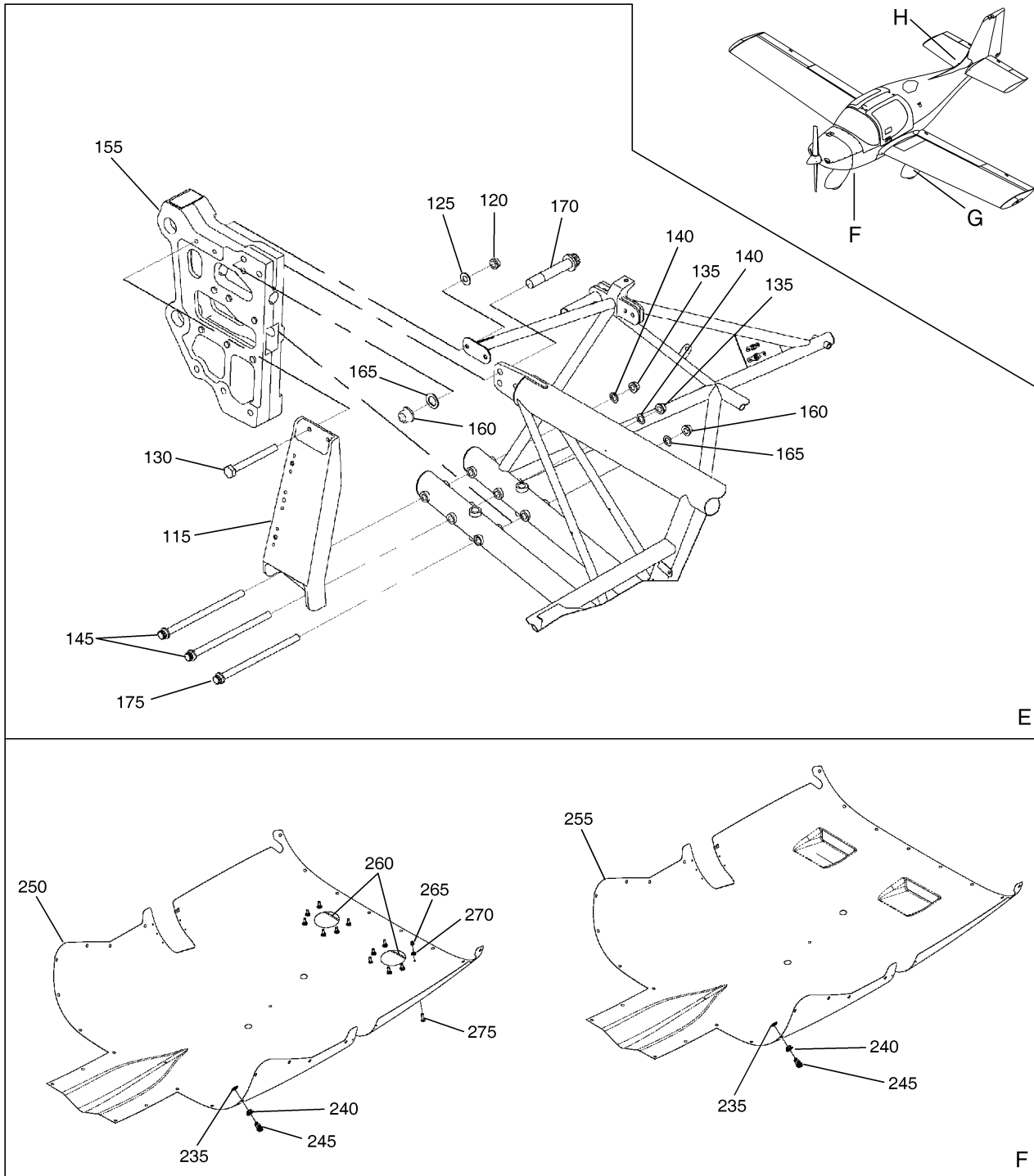
Use or disclosure of this data is subject to restrictions on the Title Page of this document.

53-00-00

LIBERTY AEROSPACE

135A-970-400

ILLUSTRATED PARTS CATALOG



LBTY_530000_01_02_C00

IPL Figure 01 (Sheet 2 of 4)
Fuselage Assembly

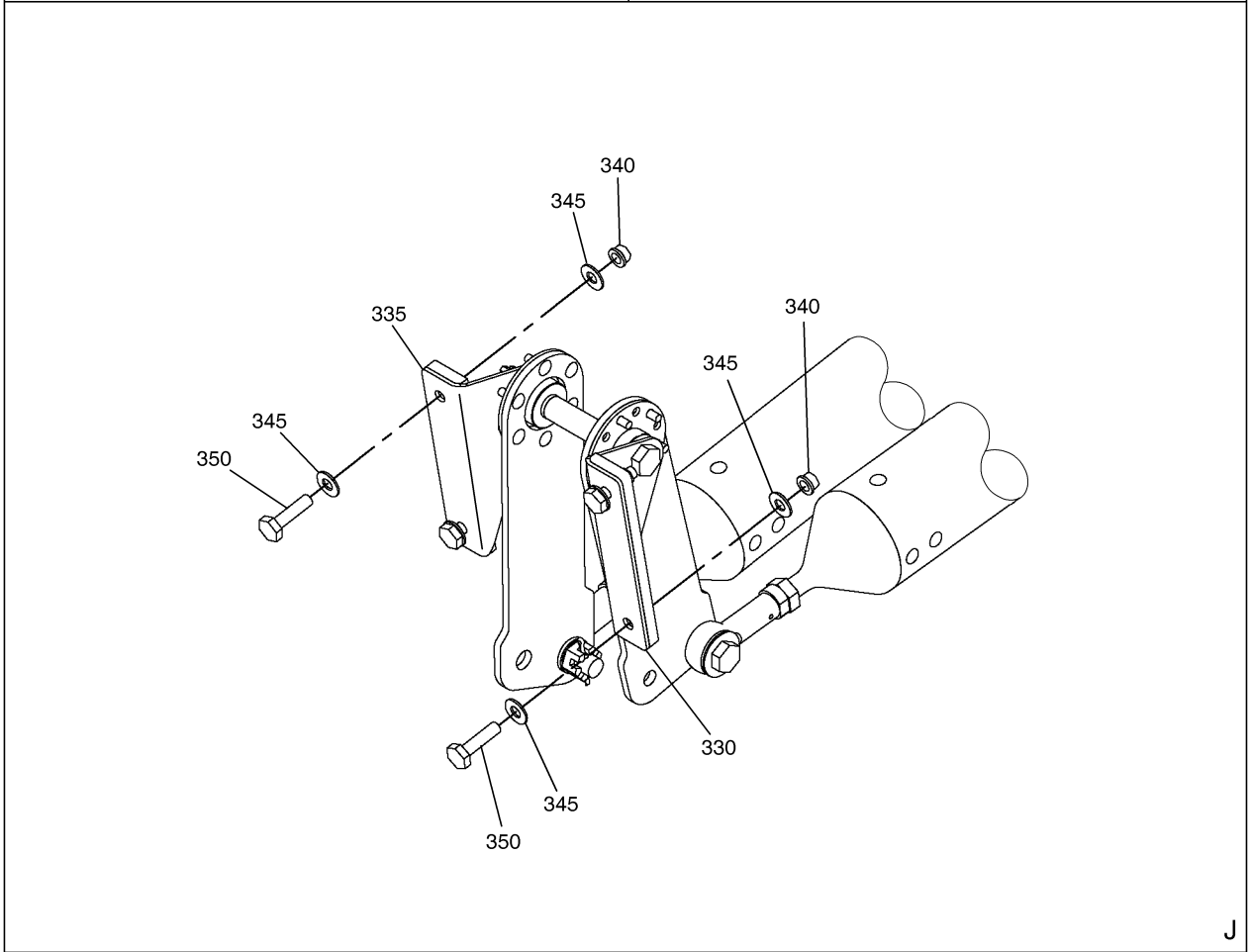
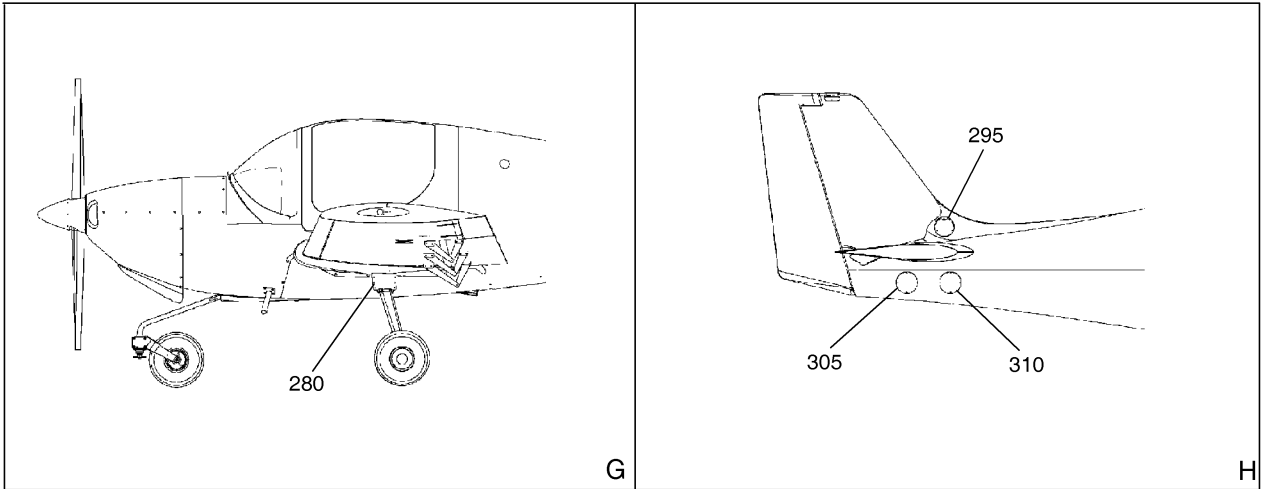
Use or disclosure of this data is subject to restrictions on the Title Page of this document.

53-00-00

LIBERTY AEROSPACE

135A-970-400

ILLUSTRATED PARTS CATALOG



LBTY_530000_01_03_C00

IPL Figure 01 (Sheet 3 of 4)
Fuselage Assembly

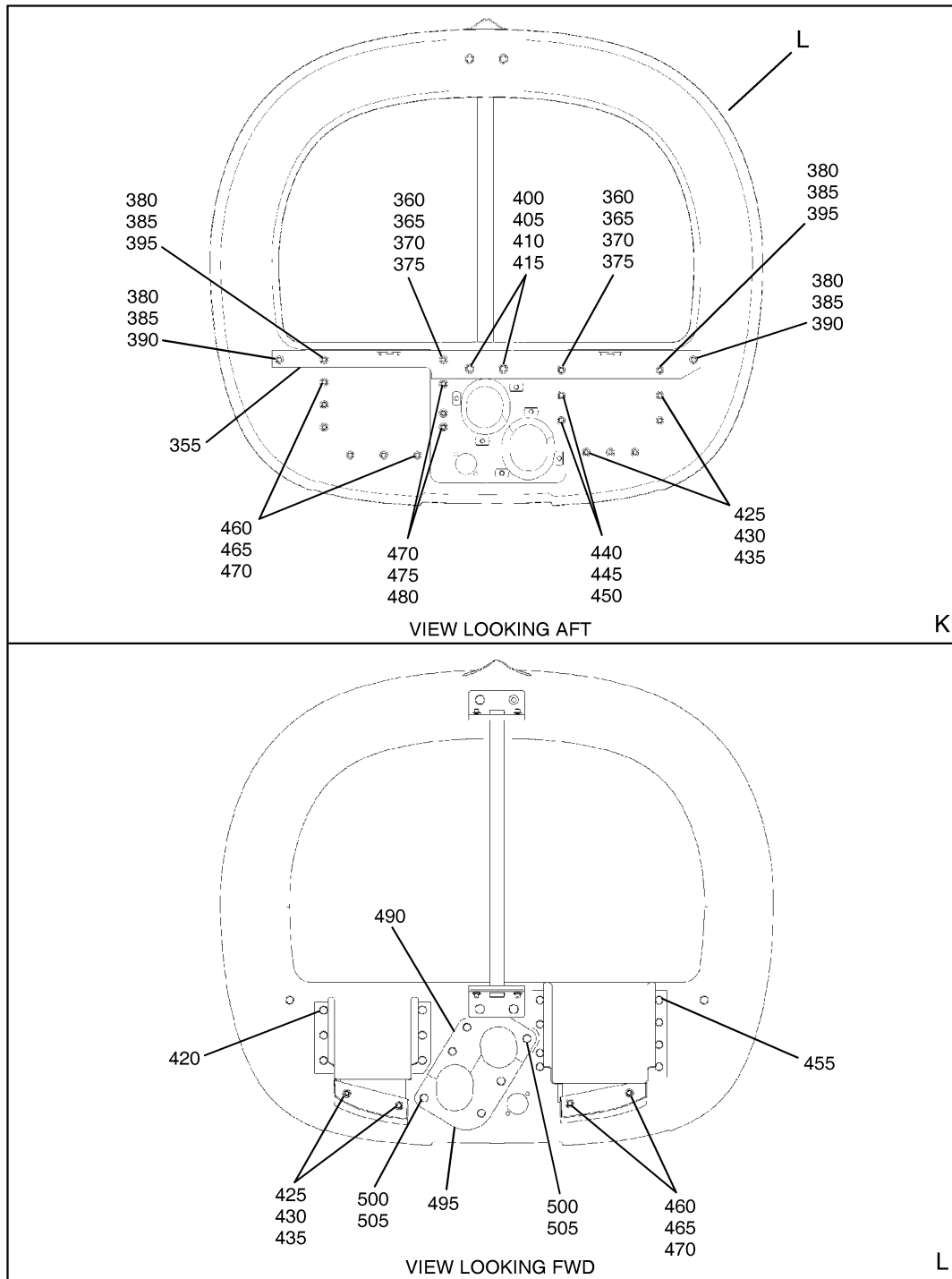
Use or disclosure of this data is subject to restrictions on the Title Page of this document.

53-00-00

LIBERTY AEROSPACE

135A-970-400

ILLUSTRATED PARTS CATALOG



LBTY_530000_01_04_C00

IPL Figure 01 (Sheet 4 of 4)
Fuselage Assembly

Use or disclosure of this data is subject to restrictions on the Title Page of this document.

53-00-00

LIBERTY AEROSPACE

135A-970-400

ILLUSTRATED PARTS CATALOG

FIG. & ITEM	PART NUMBER	1234567 NOMENCLATURE	EFF CODE	UNITS PER ASSY
01				
- 1	135A-10-035	FUSELAGE ASSEMBLY, CONTINUATION BUILD (FOR NHA SEE 03-00-00 FIG. 02) (FOR ADDITIONAL DETAILS SEE 11-30-00 FIG. 01, 24-00-00 FIG. 01, 28-00-00 FIG. 01 AND 32-40-00 FIG. 01)		REF
5	135A-10-041	. FUSELAGE TO SPACE FRAME (FOR DETAIL BREAKDOWN SEE 25-10-00 FIG. 01, 27-40-00 FIG. 01, 32-40-00 FIG. 01, 33-10-00 FIG. 01, 52-10-00 FIG. 01 AND 73-20-00 FIG. 01)		1
10	135A-10-968	. . BUSHING, FUSELAGE DOOR PIN		4
15	135A-10-820	. . HOUSING, JACK, ALTERED (ATTACHING PARTS)		1
20	MS51957-30	. . SCREW, PAN HEAD, 6-32		3

25	6350B2X3/8A	. . TRIM SEAL, 5/8 BULB BLACK		2
30	135A-10-329	. . GUIDE PLATE, THROTTLE LEVER (ATTACHING PARTS)		1
35	MS24694-C51	. . SCREW, MACHINE, 10-32		2

40	135A-10-330	. . GUIDE PLATE, HANDBRAKE LEVER (ATTACHING PARTS)		1
45	MS24694-C51	. . SCREW, MACHINE, 10-32		2

50	135A-10-613	. . PLATE, MOUNT SUPPORT		2
55	135A-10-601	. . PLATE, AFT SUPPORT		2
60	MS21043-3	. . NUT, SELF-LOCKING, 10-32		2
65	NAS1149C0332R	. . WASHER, FLAT		2
70	AN3C5A	. . BOLT, 10-32		2
75	135A-11-517	. . BRACKET, FUSELAGE MOUNT (ATTACHING PARTS)		2
80	MS24665-153	. . PIN, SPLIT, 1/16 X 3/4		1
85	MS17825-4	. . NUT, CASTLE, SELF-LOCKING		1
90	NAS1149F0463P	. . WASHER, FLAT		2
95	NAS144A-30	. . BOLT, INTERNAL WRENCHING		1

- 100	135A-10-074	SPACE FRAME, WING BOX, BASIC (FOR NHA SEE 32-10-00 FIG. 01)		REF
105	135A-10-075	. SPACE FRAME ASSY		1
- 110	135A-10-249	. BRACKET ASSEMBLY, SHEAR, SEATBACK, PORT		1
115	135A-10-250	. BRACKET ASSEMBLY, SHEAR, SEATBACK, STBD (ATTACHING PARTS)		1
120	MS21042-4	. NUT, SELF-LOCKING, 1/4-28		2
125	NAS1149F0432P	. WASHER, FLAT		2
130	AN4-23A	. BOLT, 1/4-28		2

- ITEM NOT ILLUSTRATED

Use or disclosure of this data is subject to restrictions on the Title Page of this document.

53-00-00

LIBERTY AEROSPACE

135A-970-400

ILLUSTRATED PARTS CATALOG

FIG. & ITEM	PART NUMBER	1234567 NOMENCLATURE	EFF CODE	UNITS PER ASSY
01				
	135 MS21042-6	. STIFFNUT, 3/8		2
	140 NAS1149C0632P	. WASHER, FLAT		2
	145 MS21250-06-090	. BOLT, TENSION		2
		- - - - -		
-	150 135A-10-085	. WING BOX, PORT		1
	155 135A-10-086	. WING BOX, STBD		1
		(ATTACHING PARTS)		
	160 MS21042-6	. STIFFNUT, 3/8		4
	165 NAS1149C0632P	. WASHER, FLAT		4
	170 MS21250-06-024	. BOLT, TENSION		3
	175 MS21250-06-090	. BOLT, TENSION		1
		- - - - -		
-	180 135A-00-025	AIRCRAFT ASSEMBLY, BASIC (FOR NHA SEE 03-00-00 FIG. 01) (FOR ADDITIONAL DETAILS SEE 03-00-00 FIG. 02 AND 57-00-00 FIG. 01)		REF
	185 135A-10-449	. ACCESS PANEL, FUEL SENDER		1
		(ATTACHING PARTS)		
-	190 AN526C-1032R8	. SCREW, MACHINE, 10-32		3
		- - - - -		
	200 135A-10-447	. ACCESS PANEL, BAGGAGE BAY FLOOR		1
		(ATTACHING PARTS)		
-	205 AN526C-1032R8	. SCREW, MACHINE, 10-32		4
		- - - - -		
	210 135A-10-419	. CLOSEOUT, BAGGAGE BAY		1
		(ATTACHING PARTS)		
-	215 A01787-10Z	. NUT, SPEED, "U" TYPE		6
-	220 MS51861-47C	. SCREW, MACHINE, 10-32 X 7/8		6
		- - - - -		
	225 30RLSSBD	. LOUVER, MINI, 3"		2
-	230 135A-10-137	. BELLY PANEL ASSEMBLY (NOTE 1)	A	1
-	230 135A-10-177	. BELLY PANEL ASSEMBLY (NOTE 1)	B	1
		(ATTACHING PARTS)		
	235 40G26-1	. RING, CAMLOC RETAINING		26
	240 4002-NS	. GROMMET, CAMLOC 4002		26
	245 40S5-5S	. STUD, CAMLO		
		- - - - -		
	250 135A-10-409	. . BELLY FAIRING	A	1
	255 135A-10-407	. . BELLY FAIRING	B	1
	260 135A-10-161	. . HOOD ASSEMBLY, VAPOR ZONE	A	2
		(ATTACHING PARTS)		
	265 MS21042-08	. . NUT, SELF-LOCKING, 8-32	A	6
	270 NAS1149FN816P	. . WASHER, FLAT	A	6

- ITEM NOT ILLUSTRATED

Use or disclosure of this data is subject to restrictions on the Title Page of this document.

53-00-00

LIBERTY AEROSPACE

135A-970-400

ILLUSTRATED PARTS CATALOG

FIG. & ITEM	PART NUMBER	1234567 NOMENCLATURE	EFF CODE	UNITS PER ASSY
01				
	275	AN526C-832R10 . . SCREW, MACHINE, 8-32 X 5/8 -----	A	6
	280	135A-10-689 . COVER PLATE, UPPER U/C LEG, PORT		1
-	285	135A-10-690 . COVER PLATE, UPPER U/C LEG, STBD (ATTACHING PARTS)		1
-	290	MS51861-45C . SCREW, TAPPING -----		6
	295	135A-10-456 . ACCESS PANEL, TORQUE TUBE, UPPER (ATTACHING PARTS)		1
-	300	AN526C-1032R8 . SCREW, MACHINE, 10-32 -----		3
	305	135A-10-458 . ACCESS PANEL, TORQUE TUBE, LOWER		1
	310	135A-10-460 . ACCESS PANEL, TRIM MOTOR (ATTACHING PARTS)		1
-	315	AN526C-1032R8 . SCREW, MACHINE, 10-32 -----		4
-	320	135A-10-103 FUSELAGE, BASIC AND HARDWARE (FOR NHA SEE 24-00-00 FIG. 01) (FOR ADDITIONAL DETAILS SEE 24-00-00 FIG. 01, 27-20-00 FIG. 01, 27-40-00 FIG. 01 AND 56-10-00 FIG. 01)		REF
	325	135A-50-313 . STRIP, RUBBER		2
	330	135A-10-633 . BRACKET, IDLER, MID FUSELAGE, PORT		1
	335	135A-10-634 . BRACKET, IDLER, MID FUSELAGE, STBD (ATTACHING PARTS)		1
	340	MS21043-3 . NUT, SELF-LOCKING, 10-32		2
	345	NAS1149C0332R . WASHER, FLAT		4
	350	AN3C-6A . BOLT, 10-32 -----		2
	355	135A-10-169 . STIFFENER ASSY, BATTERY TRAY (ATTACHING PARTS)		1
	360	MS21043-3 . NUT, SELF-LOCKING, 10-32		2
-	365	NAS1149C0332R . WASHER, FLAT		6
-	370	NAS1149C0363R . WASHER, FLAT		2
-	375	AN3C-5A . BOLT, 10-32		2
	380	MS21043-3 . NUT, SELF-LOCKING, 10-32		4
-	385	NAS1149C0332R . WASHER, FLAT		8
-	390	AN3C-4A . BOLT, 10-32		2
-	395	AN3C-5A . BOLT, 10-32		2
	400	MS21043-4 . NUT, SELF LOCKING, 1/4-28		2
-	405	NAS1149C0432R . WASHER, FLAT		4
-	410	NAS1149C0463R . WASHER, FLAT		4
-	415	AN4C-6A . BOLT, 1/4-28		2

- ITEM NOT ILLUSTRATED

Use or disclosure of this data is subject to restrictions on the Title Page of this document.

53-00-00

LIBERTY AEROSPACE

135A-970-400

ILLUSTRATED PARTS CATALOG

FIG. & ITEM	PART NUMBER	1234567 NOMENCLATURE	EFF CODE	UNITS PER ASSY
01				

420	135A-10-171	. TRAY ASSEMBLY, BATTERY, BACKUP (ATTACHING PARTS)		1
425	MS21043-3	. NUT, SELF-LOCKING, 10-32		7
- 430	NAS1149C0332R	. WASHER, FLAT		7
- 435	AN3C-4A	. BOLT, 10-32		7
440	MS21043-3	. NUT, SELF-LOCKING, 10-32		2
- 445	NAS1149C0332R	. WASHER, FLAT		2
- 450	AN3C-3A	. BOLT, 10-32		2

455	135A-10-172	. TRAY ASSEMBLY, BATTERY, MAIN (ATTACHING PARTS)		1
460	MS21043-3	. NUT, SELF-LOCKING, 10-32		8
- 465	NAS1149C0332R	. WASHER, FLAT		8
- 470	AN3C-4A	. BOLT, 10-32		8
475	MS21043-3	. NUT, SELF-LOCKING, 10-32		3
- 480	NAS1149C0332R	. WASHER, FLAT		3
- 485	AN3C-3A	. BOLT, 10-32		3

490	135A-10-309	. RESTRAINT, ANTI BUCKLE, UPPER		1
495	135A-10-310	. RESTRAINT, ANTI BUCKLE, LOWER (ATTACHING PARTS)		1
500	AN3C-5A	. BOLT, 10-32		3
- 505	NAS1149C0332R	. WASHER, FLAT		3

		NOTES: 1. BELLY FAIRING ASSEMBLY VARIES BY AIRCRAFT, REFER TO AIRCRAFT FLIGHT MANUAL, CUSTOMER PURCHASE ORDER OR THE PART NUMBER MARKED ON THE COMPONENT TO ORDER SPARES.		

- ITEM NOT ILLUSTRATED

LIBERTY AEROSPACE

135A-970-400

ILLUSTRATED PARTS CATALOG

DETAILED PARTS LIST

Use or disclosure of this data is subject to restrictions on the Title Page of this document.

53-10-00

Page 1
NOV 1/07

LIBERTY AEROSPACE

135A-970-400

ILLUSTRATED PARTS CATALOG

THIS PAGE INTENTIONALLY LEFT BLANK

Use or disclosure of this data is subject to restrictions on the Title Page of this document.

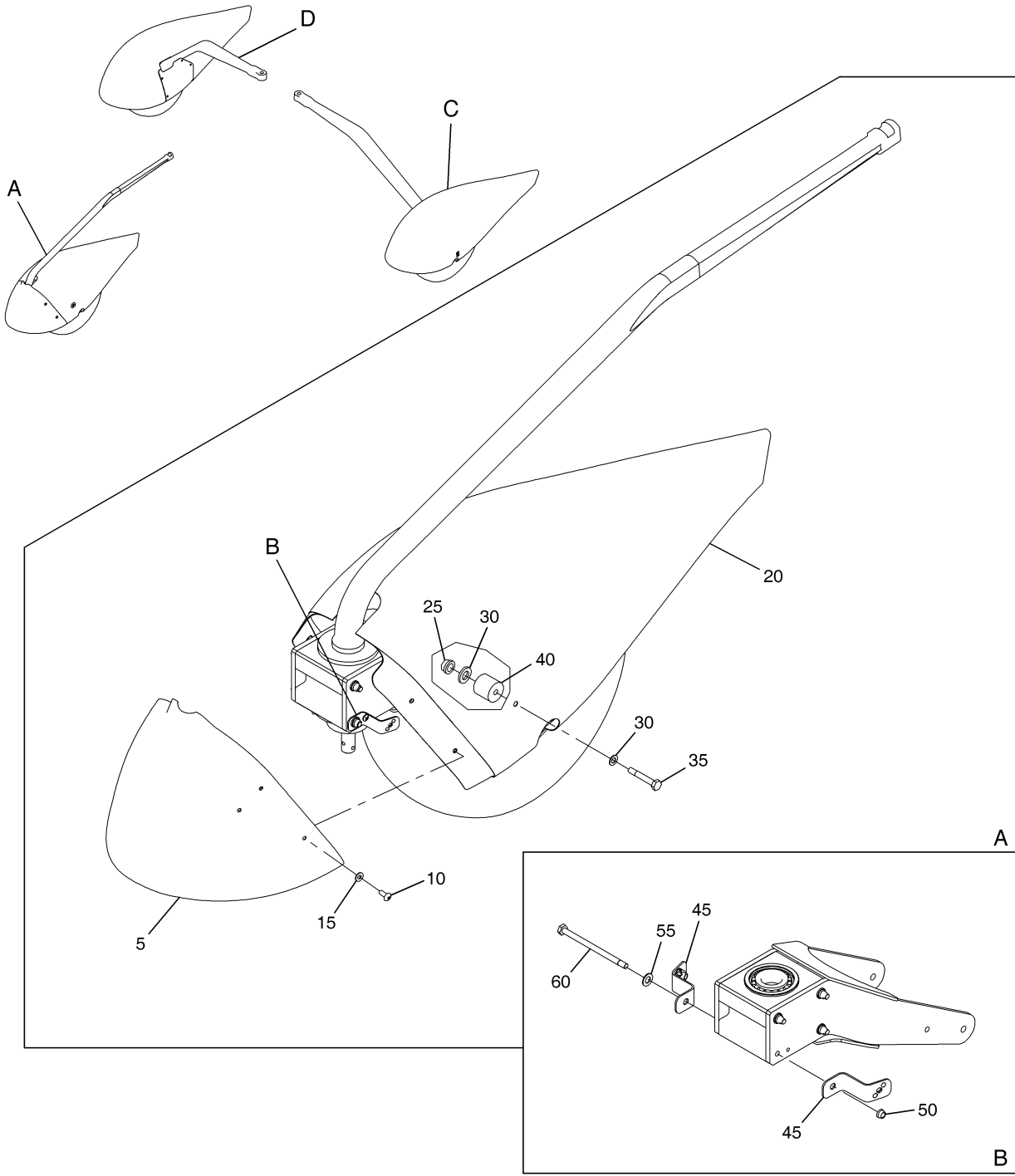
53-10-00

Page 2
NOV 1/07

LIBERTY AEROSPACE

135A-970-400

ILLUSTRATED PARTS CATALOG



LBTY_531000_01_01_C00

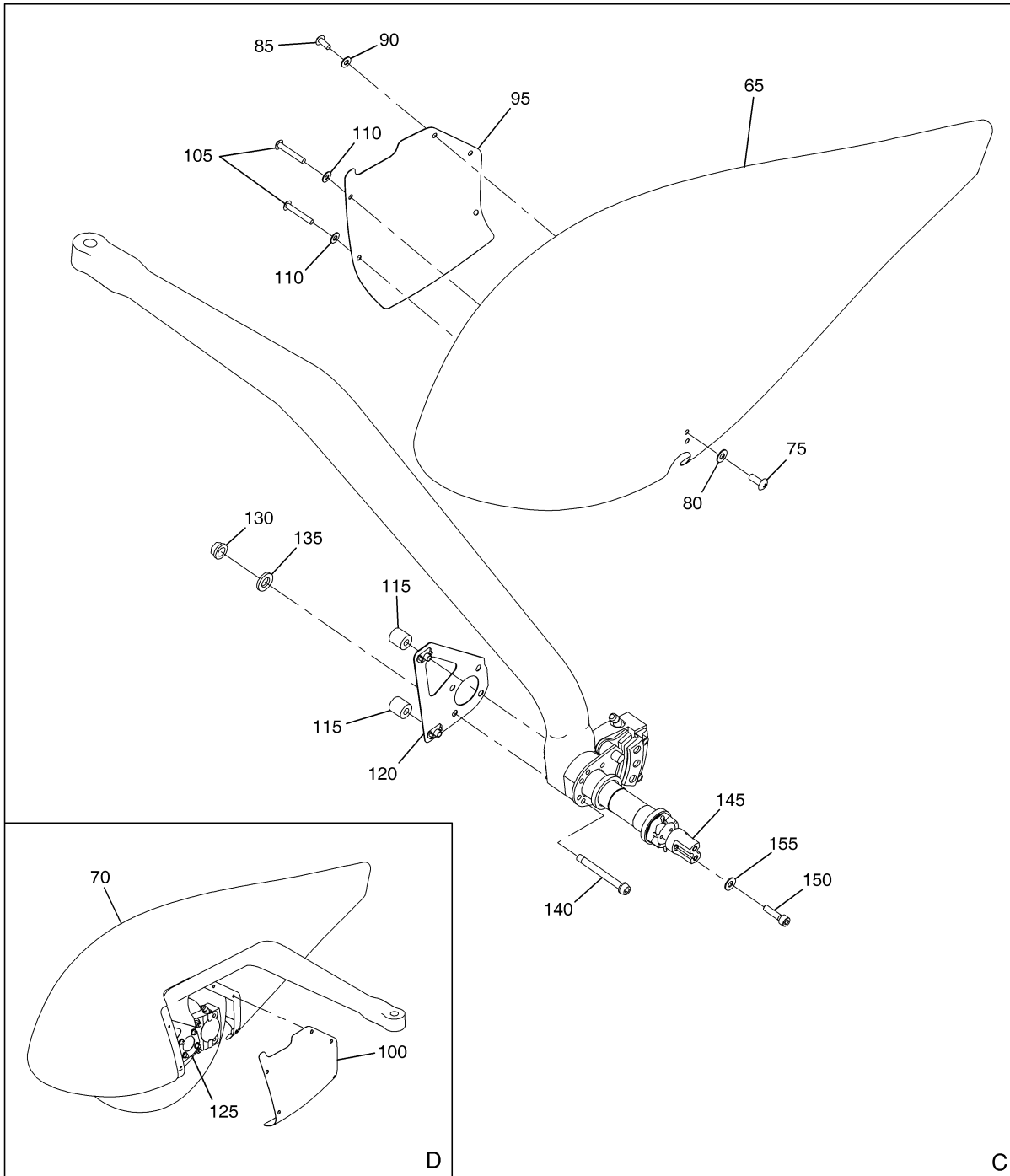
IPL Figure 01 (Sheet 1 of 2)
Wheel Fairing Installation

Use or disclosure of this data is subject to restrictions on the Title Page of this document.

LIBERTY AEROSPACE

135A-970-400

ILLUSTRATED PARTS CATALOG



LBTY_531000_01_02_C00

IPL Figure 01 (Sheet 2 of 2)
Wheel Fairing Installation

Use or disclosure of this data is subject to restrictions on the Title Page of this document.

53-10-00

LIBERTY AEROSPACE

135A-970-400

ILLUSTRATED PARTS CATALOG

FIG. & ITEM	PART NUMBER	1234567 NOMENCLATURE	EFF CODE	UNITS PER ASSY
01				
- 1	135A-08-041	FAIRING INSTALLATION, WHEEL (FOR NHA SEE 03-00-00 FIG. 01)		REF
5	135A-40-401	. FAIRING, NOSE GEAR, FWD (ATTACHING PARTS)		1
10	AN526C-1032R8	. SCREW, MACHINE, 10-32		6
15	NAS1149C0332R	. WASHER		6
- - - - -				
20	135A-40-402	. FAIRING ASSY, NOSE GEAR, AFT (ATTACHING PARTS)		1
25	MS21042-4	. NUT, 1/4-28		2
30	NAS1149C0432R	. WASHER		4
35	AN4C-15A	. BOLT, 1/4-28		2
40	135A-40-305	. SPACER, NOSE WHEEL FAIRING		2
- - - - -				
45	135A-40-515	. FAIRING BRACKET, NOSE GEAR (ATTACHING PARTS)		2
50	MS21042-4	. NUT, 1/4-28		1
55	NAS1149F0463P	. WASHER (FOR NHA SEE 32-40-00 FIG. 01)		REF
60	NAS6604-58	. BOLT, HEX HEAD (FOR NHA SEE 32-40-00 FIG. 01)		REF
- - - - -				
65	135A-40-021	. FAIRING ASSY, MAIN WHEEL, PORT		1
70	135A-40-022	. FAIRING ASSY, MAIN WHEEL, STBD (ATTACHING PARTS)		1
75	AN526C-1032R8	. SCREW, MACHINE, 10-32		2
80	NAS1149C0332R	. WASHER		2
85	AN526C-1032R8	. SCREW, MACHINE, 10-32		3
90	NAS1149C0332R	. WASHER		3
- - - - -				
95	135A-40-405	. FAIRING PANEL, MAIN WHEEL, PORT		1
100	135A-40-406	. FAIRING PANEL, MAIN WHEEL, STBD (ATTACHING PARTS)		1
105	AN526C-1032R20	. SCREW, MACHINE, 10-32		2
110	NAS1149C0332R	. WASHER		2
115	135A-40-307	. SPACER, INBD, MAIN WHEEL FAIRING		2
- - - - -				
120	135A-40-585	. FAIRING BRACKET, MAIN WHEEL, PORT		1
125	135A-40-586	. FAIRING BRACKET, MAIN WHEEL, STBD (ATTACHING PARTS)		1
130	MS21042-4	. NUT, 1/4-28		4
135	MS9320-10	. WASHER (FOR NHA SEE 32-40-00 FIG. 01)		REF
140	NAS6204-34	. BOLT, INTERNAL WRENCHING, 160K PSI (FOR NHA SEE 32-40-00 FIG. 01)		REF

- ITEM NOT ILLUSTRATED

Use or disclosure of this data is subject to restrictions on the Title Page of this document.

LIBERTY AEROSPACE

135A-970-400

ILLUSTRATED PARTS CATALOG

FIG. & ITEM	PART NUMBER	1234567 NOMENCLATURE	EFF CODE	UNITS PER ASSY
01				
145	135A-40-308	----- . SPACER, OTBD, MAIN WHEEL FAIRING (ATTACHING PARTS)		2
150	SCSH010C0012STBL	. SCREW, SOCKET HEAD CAP, 10-32 UNF		2
155	NAS1149C0332R	. WASHER		2

- ITEM NOT ILLUSTRATED

LIBERTY AEROSPACE

135A-970-400

ILLUSTRATED PARTS CATALOG

DETAILED PARTS LIST

Use or disclosure of this data is subject to restrictions on the Title Page of this document.

55-40-00

Page 1
NOV 1/07

LIBERTY AEROSPACE

135A-970-400

ILLUSTRATED PARTS CATALOG

THIS PAGE INTENTIONALLY LEFT BLANK

Use or disclosure of this data is subject to restrictions on the Title Page of this document.

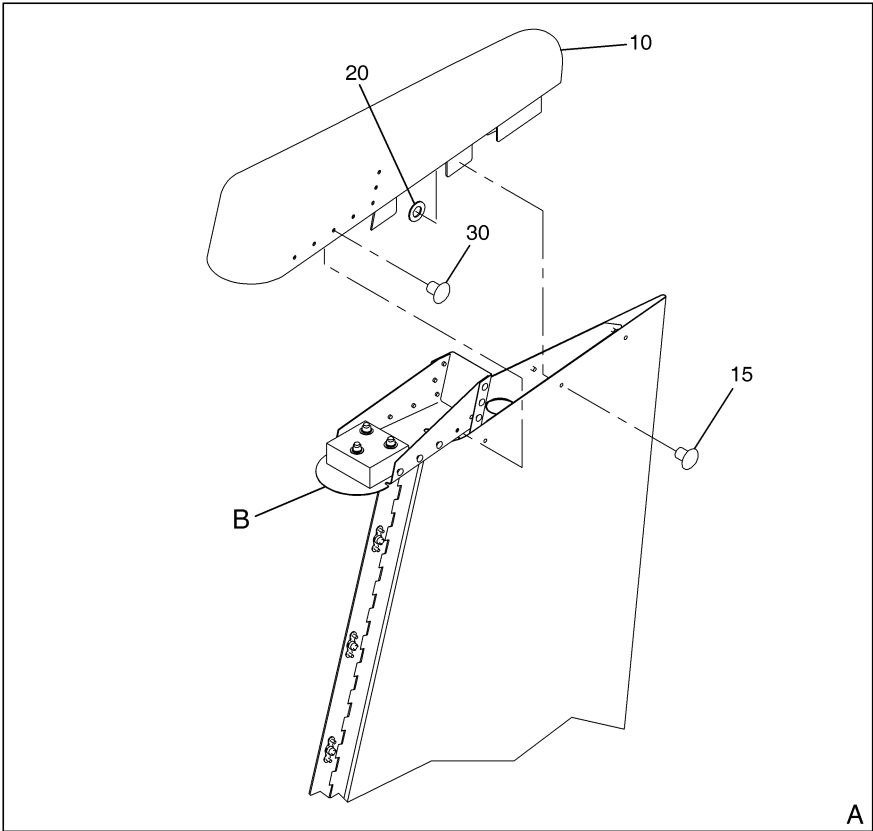
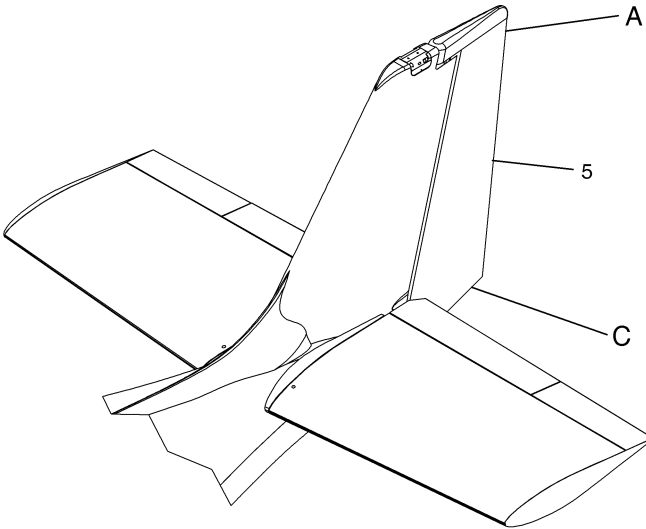
55-40-00

Page 2
NOV 1/07

LIBERTY AEROSPACE

135A-970-400

ILLUSTRATED PARTS CATALOG



LBTY_554000_01_01_C00

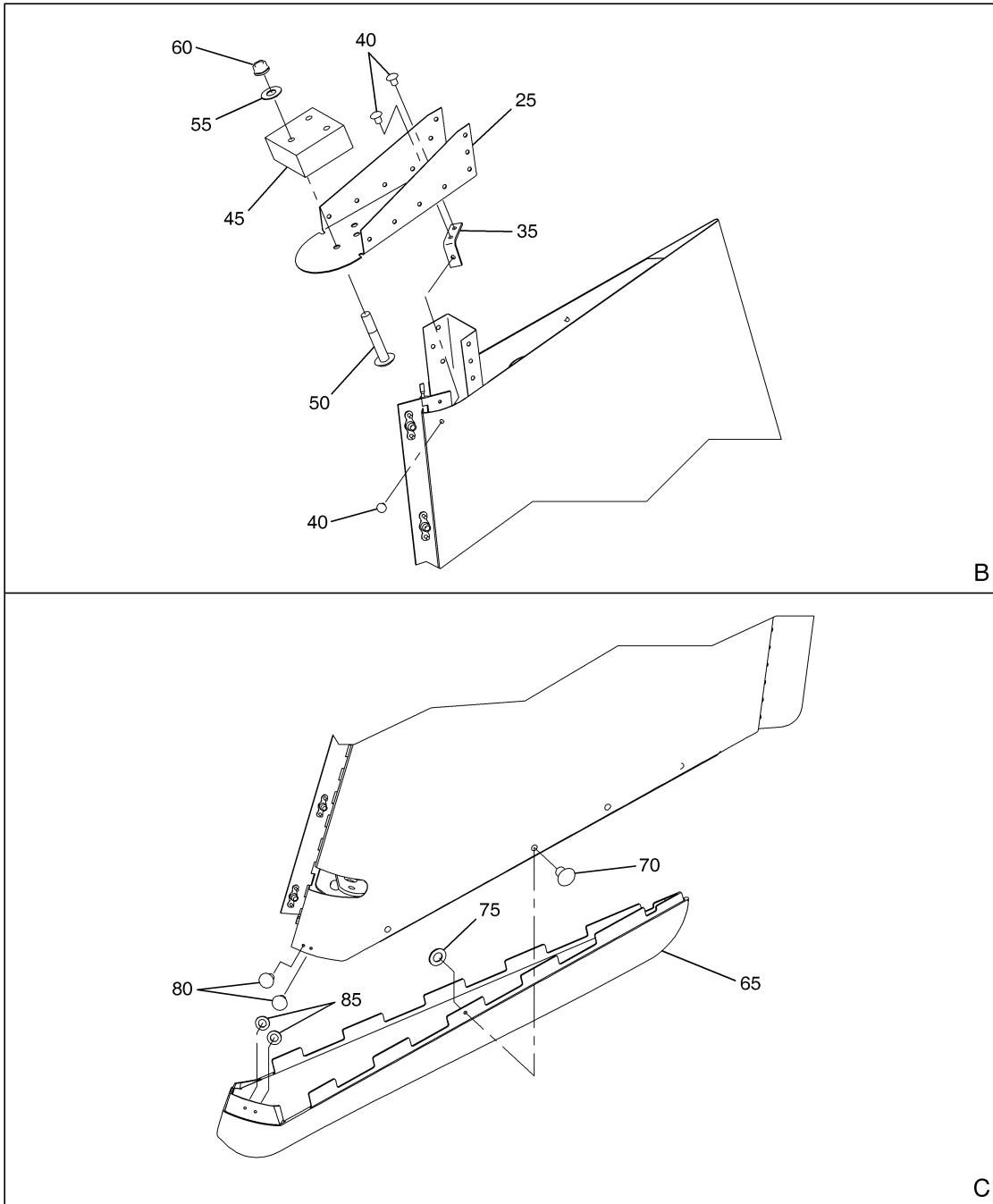
IPL Figure 01 (Sheet 1 of 2)
Rudder Assembly

Use or disclosure of this data is subject to restrictions on the Title Page of this document.

LIBERTY AEROSPACE

135A-970-400

ILLUSTRATED PARTS CATALOG



LBTY_554000_01_02_C00

IPL Figure 01 (Sheet 2 of 2)
Rudder Assembly

Use or disclosure of this data is subject to restrictions on the Title Page of this document.

55-40-00

LIBERTY AEROSPACE

135A-970-400

ILLUSTRATED PARTS CATALOG

FIG. & ITEM	PART NUMBER	1234567 NOMENCLATURE	EFF CODE	UNITS PER ASSY
01				
- 1	135A-30-129	RUDDER ASSY (FOR NHA SEE 03-00-00 FIG. 02)		REF
5	135A-30-134	. RUDDER SKELETON AND SKIN		1
10	135A-30-407	. RUDDER HORN		1
		(ATTACHING PARTS)		
15	CR 3523-4-02	. CHERRY MAX RIVET, UNIVERSAL HEAD		6
20	NAS620C-5L	. WASHER, FLAT		6

25	135A-30-637	. RIB MASS SUPPORT		1
		(ATTACHING PARTS)		
30	CR 3523-4-02	. CHERRY MAX RIVET, UNIVERSAL HEAD		14

35	135A-30-643	. ANGLE BRACKET		1
		(ATTACHING PARTS)		
40	CR 3213-4-02	. CHERRY MAX RIVET, UNIVERSAL HEAD		3

45	135A-30-651	. MASS BALANCE, HORN		1
		(ATTACHING PARTS)		
50	AN525-10R18	. SCREW, WASHER HEAD		3
55	NAS1149F0316P	. WASHER, FLAT		3
60	MS21043-3	. NUT, SELF-LOCKING, 10-32		3

65	135A-30-409	. RUDDER TIP, LOWER		1
		(ATTACHING PARTS)		
70	CR 3523-4-02	. CHERRY MAX RIVET, UNIVERSAL HEAD		10
75	NAS620C-5L	. WASHER, FLAT		10
80	CCR274CS-3-01	. CHERRY MAX RIVET, UNIVERSAL HEAD		2
85	NAS620C-3L	. WASHER, FLAT		2

- ITEM NOT ILLUSTRATED

LIBERTY AEROSPACE

135A-970-400

ILLUSTRATED PARTS CATALOG

THIS PAGE INTENTIONALLY LEFT BLANK

Use or disclosure of this data is subject to restrictions on the Title Page of this document.

55-40-00

Page 6
NOV 1/07

LIBERTY AEROSPACE

135A-970-400

ILLUSTRATED PARTS CATALOG

DETAILED PARTS LIST

Use or disclosure of this data is subject to restrictions on the Title Page of this document.

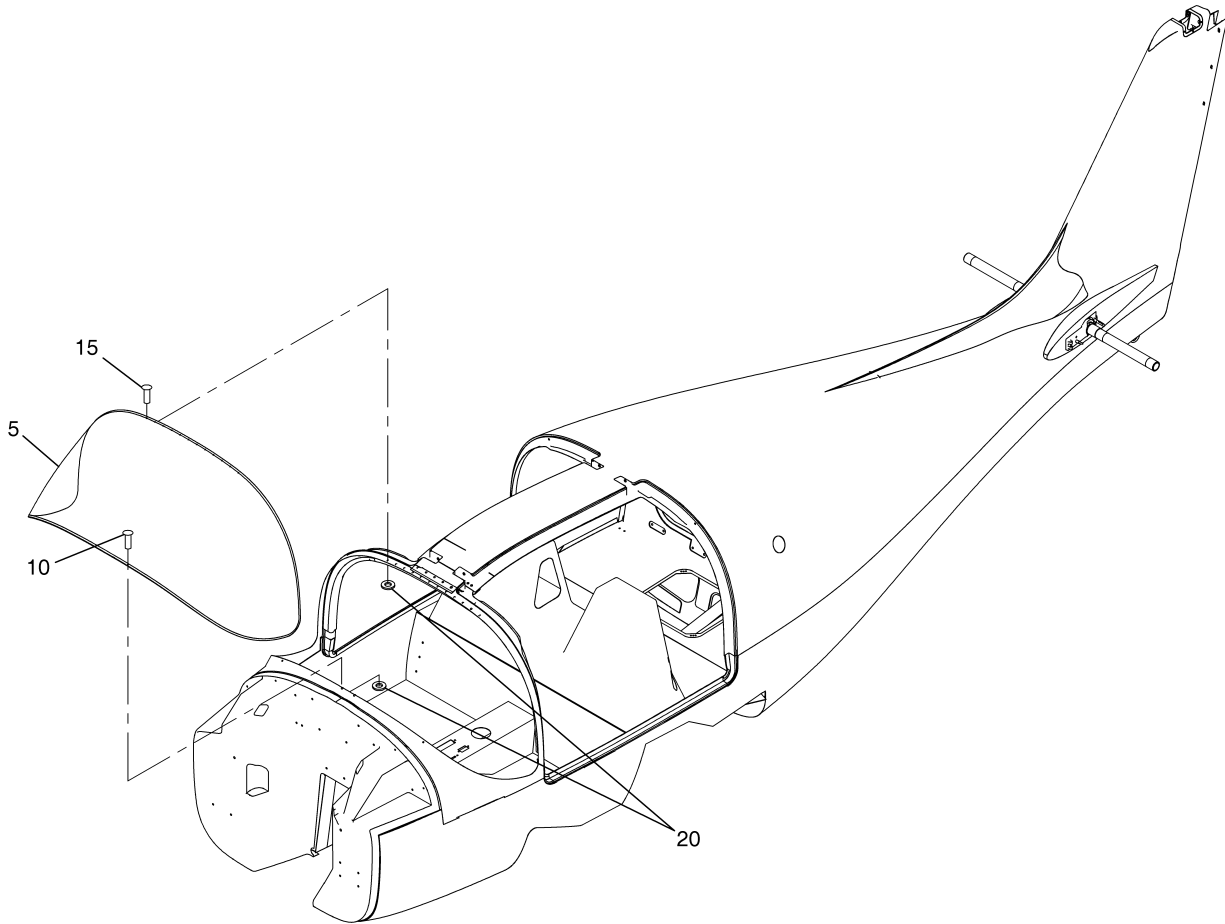
56-10-00

Page 1
NOV 1/07

LIBERTY AEROSPACE

135A-970-400

ILLUSTRATED PARTS CATALOG



LBTY_561000_01_01_C00

IPL Figure 01
Forward Windscreen

Use or disclosure of this data is subject to restrictions on the Title Page of this document.

56-10-00

LIBERTY AEROSPACE

135A-970-400

ILLUSTRATED PARTS CATALOG

FIG. & ITEM	PART NUMBER	1234567 NOMENCLATURE	EFF CODE	UNITS PER ASSY
01				
- 1	135A-10-103	FUSELAGE, BASIC AND HARDWARE (FOR NHA SEE 24-00-00 FIG. 01) (FOR ADDITIONAL DETAILS SEE 24-00-00 FIG. 01, 27-40-00 FIG. 01, 53-00-00 FIG. 01 AND 27-20-00 FIG. 01)		REF
5	135A-10-301	. WINDSCREEN, FORWARD (ATTACHING PARTS)		1
10	CR 3523-4-06	. RIVET, UNIVERSAL HEAD		45
15	CR 3523-4-05	. RIVET, UNIVERSAL HEAD		40
20	NAS1149CN616R	. WASHER, FLAT		85
		- - - * * * - - -		

- ITEM NOT ILLUSTRATED

Use or disclosure of this data is subject to restrictions on the Title Page of this document.

56-10-00

LIBERTY AEROSPACE

135A-970-400

ILLUSTRATED PARTS CATALOG

THIS PAGE INTENTIONALLY LEFT BLANK

Use or disclosure of this data is subject to restrictions on the Title Page of this document.

56-10-00

Page 4
NOV 1/07

LIBERTY AEROSPACE

135A-970-400

ILLUSTRATED PARTS CATALOG

DETAILED PARTS LIST

Use or disclosure of this data is subject to restrictions on the Title Page of this document.

57-00-00

Page 1
NOV 1/07

LIBERTY AEROSPACE

135A-970-400

ILLUSTRATED PARTS CATALOG

THIS PAGE INTENTIONALLY LEFT BLANK

Use or disclosure of this data is subject to restrictions on the Title Page of this document.

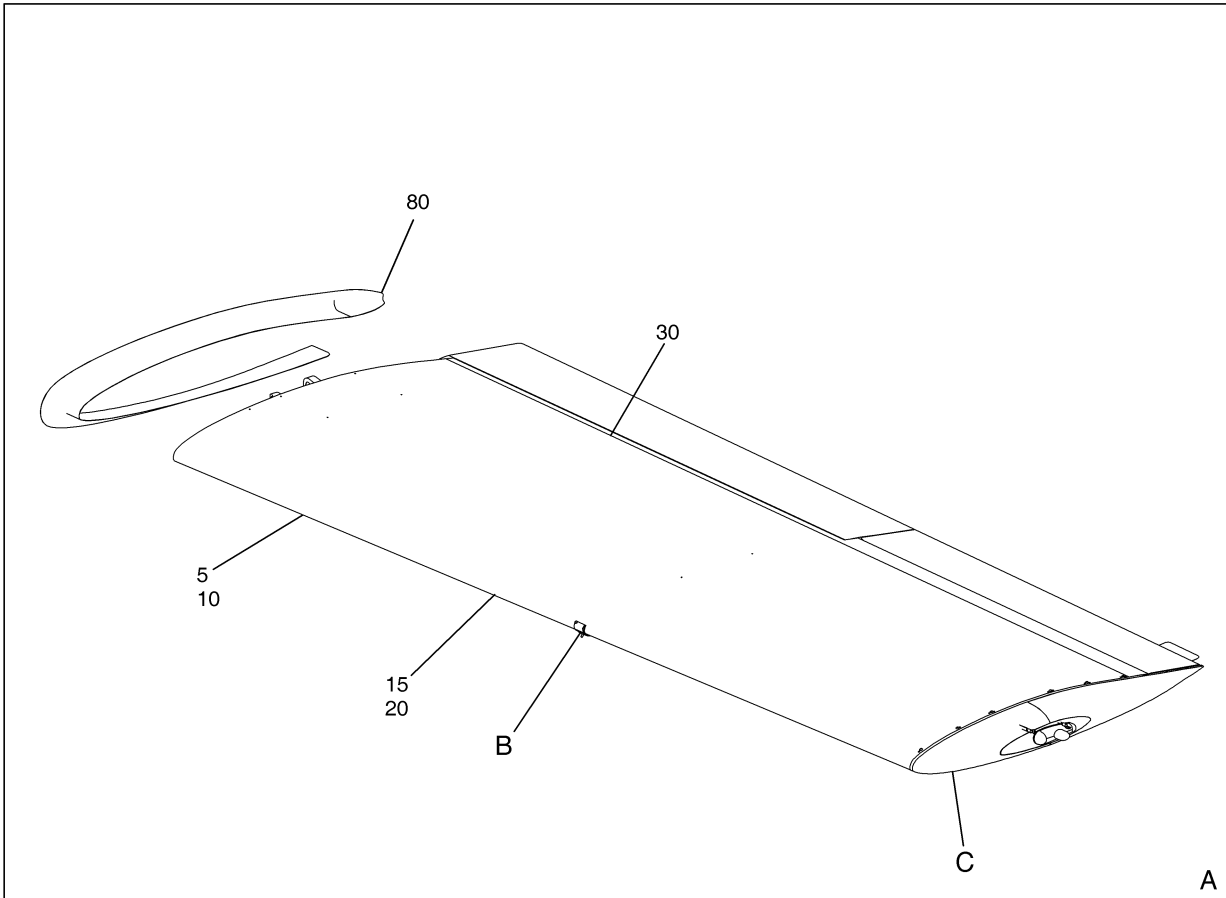
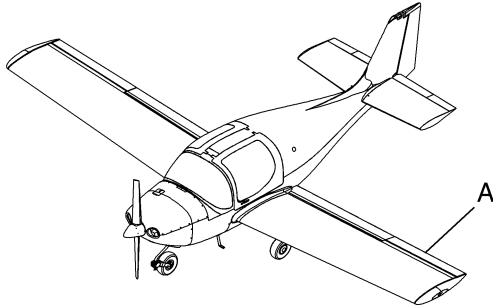
57-00-00

Page 2
NOV 1/07

LIBERTY AEROSPACE

135A-970-400

ILLUSTRATED PARTS CATALOG



LBTY_570000_01_01_C00

IPL Figure 01 (Sheet 1 of 2)
Wing, Aileron, and Flap System

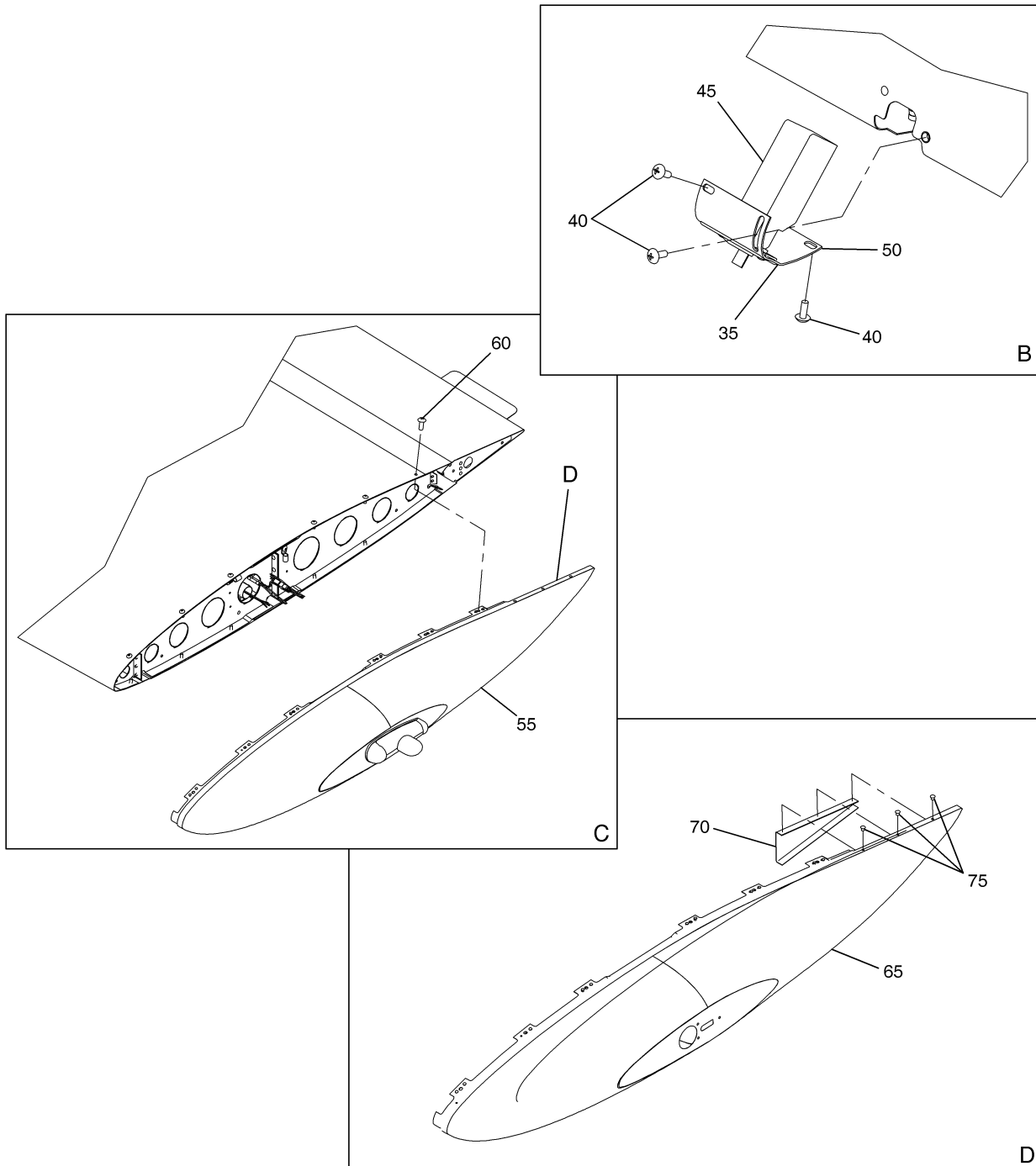
Use or disclosure of this data is subject to restrictions on the Title Page of this document.

57-00-00

LIBERTY AEROSPACE

135A-970-400

ILLUSTRATED PARTS CATALOG



LBTY_570000_01_02_C00

IPL Figure 01 (Sheet 2 of 2)
Wing, Aileron, and Flap System

Use or disclosure of this data is subject to restrictions on the Title Page of this document.

57-00-00

LIBERTY AEROSPACE

135A-970-400

ILLUSTRATED PARTS CATALOG

FIG. & ITEM	PART NUMBER	1234567 NOMENCLATURE	EFF CODE	UNITS PER ASSY
01				
- 1	135A-00-025	AIRCRAFT ASSEMBLY, BASIC (FOR NHA SEE 03-00-00 FIG. 01) (FOR ADDITIONAL DETAILS SEE 03-00-00 FIG. 02 AND 53-00-00 FIG. 01)		REF
- 5	135A-20-803	. BUFFET STRIP (ATTACHING PARTS)		2
- 10	CR3212-4-03	. CHERRY RIVET -----		3
- 15	135A-20-783	. ACCESS PANEL COVER, WING (ATTACHING PARTS)		4
- 20	AN525-10R7	. SCREW, WASHER HEAD, 10-32 -----		6
- 25	135A-20-007	. WING, AILERON AND FLAP ASSEMBLY, PORT (FOR ADDITIONAL DETAILS SEE 33-40-00 FIG. 01)	A	REF
- 25	135A-20-008	. WING, AILERON AND FLAP ASSEMBLY, STBD (FOR ADDITIONAL DETAILS SEE 33-40-00 FIG. 01)	B	REF
	30	.. WING, PORT	A	1
- 30	135A-20-102	.. WING, STBD	B	1
	35	.. LIFT DETECTOR (ATTACHING PARTS)	A	1
	40	.. SCREW, MACHINE, 6-32 X 3/8 -----		4
	45	... LIFT DETECTOR VANE	A	1
	50	... MOUNTING PLATE, LIFT DETECTOR	A	1
	55	.. WING TIP ASSY. PORT	A	1
- 55	135A-20-142	.. WING TIP ASSY. STBD (ATTACHING PARTS)	B	1
	60	.. SCREW, MACHINE, 10-32 -----		12
	65	... WING TIP, PORT	A	1
- 65	135A-20-422	... WING TIP, STBD	B	1
	70	... PLUG, WING TIP (ATTACHING PARTS)	A, B	1
	75	... CHERRY RIVET -----		6
	80	.. FAIRING, WING ROOT, PORT	A	1
- 80	135A-20-416	.. FAIRING, WING ROOT, STBD	B	1

- ITEM NOT ILLUSTRATED

Use or disclosure of this data is subject to restrictions on the Title Page of this document.

57-00-00

LIBERTY AEROSPACE

135A-970-400

ILLUSTRATED PARTS CATALOG

THIS PAGE INTENTIONALLY LEFT BLANK

Use or disclosure of this data is subject to restrictions on the Title Page of this document.

57-00-00

Page 6
NOV 1/07

LIBERTY AEROSPACE

135A-970-400

ILLUSTRATED PARTS CATALOG

DETAILED PARTS LIST

Use or disclosure of this data is subject to restrictions on the Title Page of this document.

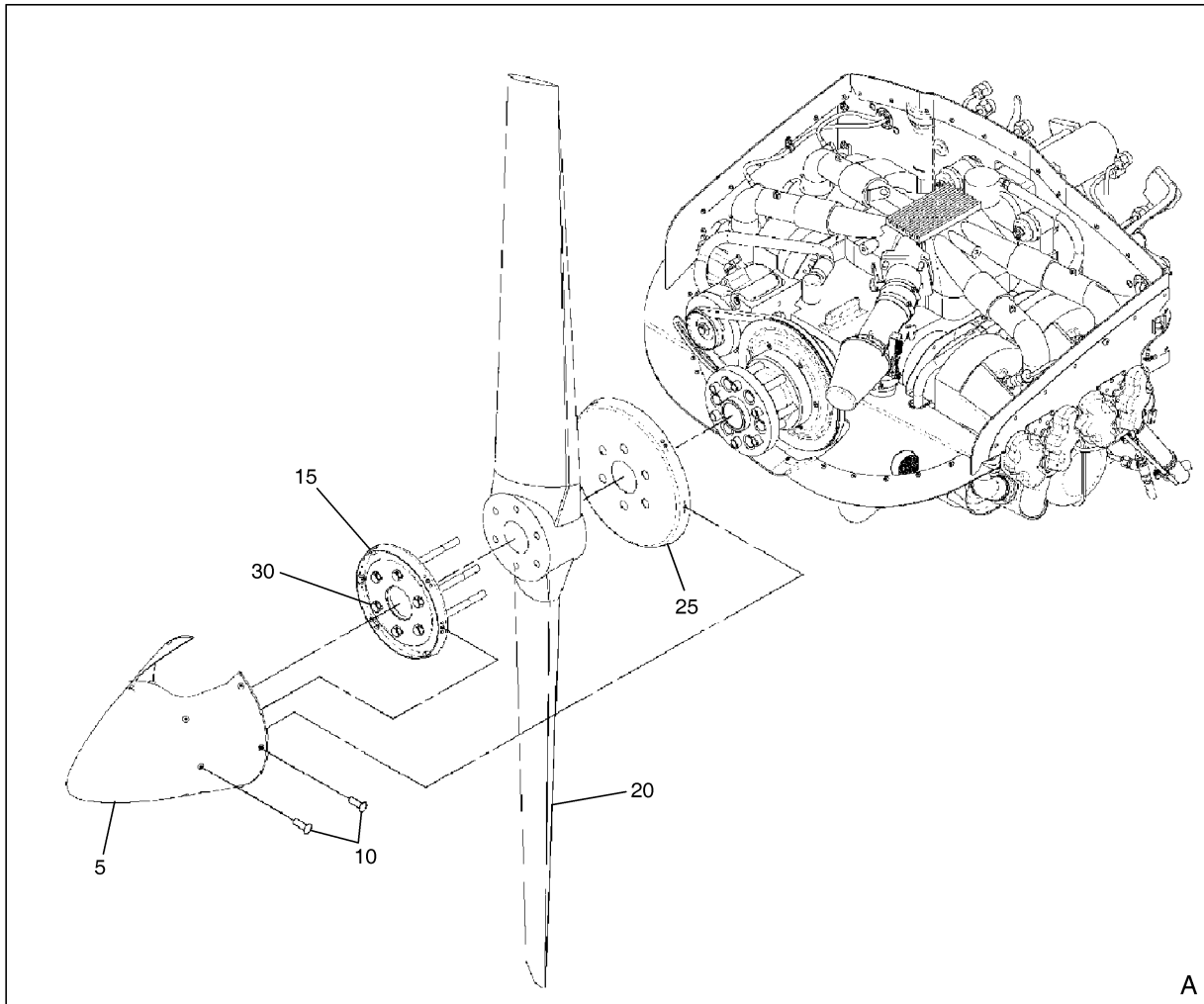
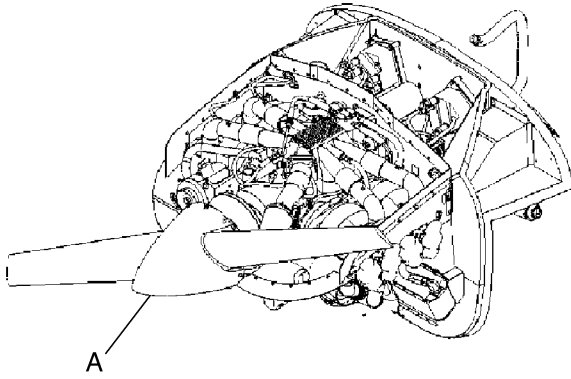
61-10-00

Page 1
NOV 1/07

LIBERTY AEROSPACE

135A-970-400

ILLUSTRATED PARTS CATALOG



LBTY_611000_01_01_C00

IPL Figure 01
Propeller Installation

Use or disclosure of this data is subject to restrictions on the Title Page of this document.

61-10-00

Page 2
NOV 1/07

LIBERTY AEROSPACE

135A-970-400

ILLUSTRATED PARTS CATALOG

FIG. & ITEM	PART NUMBER	1234567 NOMENCLATURE	EFF CODE	UNITS PER ASSY
01				
- 1	135A-50-015	ENGINE INSTALLATION (FOR NHA SEE 03-00-00 FIG. 02) (FOR ADDITIONAL DETAILS SEE 72-00-00 FIG. 01 AND 73-20-00 FIG. 01) (SEE NOTE 1)	A	REF
- 1	135A-50-017	ENGINE INSTALLATION (FOR NHA SEE 03-00-00 FIG. 02) (FOR ADDITIONAL DETAILS SEE 72-00-00 FIG. 01 AND 73-20-00 FIG. 01) (SEE NOTE 1)	B	REF
5	135A-50-423	. SPINNER (ATTACHING PARTS)	A, B	1
10	AN526C1032R7	. SCREW, MACHINE, 10-32 X 7/16 -----		12
15	135A-50-245	. PLATE ASSY, SPINNER, FWD	A, B	1
20	W69EK7-63G	. PROPELLER	A, B	1
25	135A-50-243	. PLATE ASSY, SPINNER, BACK (ATTACHING PARTS)	A, B	1
30	4ARP-LK	. KIT, PROPELLER AND PLATES MOUNTING HARDWARE	A	1
30	4S1LK	. KIT, PROPELLER AND PLATES MOUNTING HARDWARE -----	B	1
		NOTES: 1. ENGINE VARIES BY AIRCRAFT, REFER TO AIR- CRAFT FLIGHT MANUAL, CUSTOMER PURCHASE ORDER OR THE PART NUMBER MARKED ON THE COMPONENT TO ORDER SPARES.		

- ITEM NOT ILLUSTRATED

LIBERTY AEROSPACE

135A-970-400

ILLUSTRATED PARTS CATALOG

THIS PAGE INTENTIONALLY LEFT BLANK

Use or disclosure of this data is subject to restrictions on the Title Page of this document.

61-10-00

Page 4
NOV 1/07

LIBERTY AEROSPACE

135A-970-400

ILLUSTRATED PARTS CATALOG

DETAILED PARTS LIST

Use or disclosure of this data is subject to restrictions on the Title Page of this document.

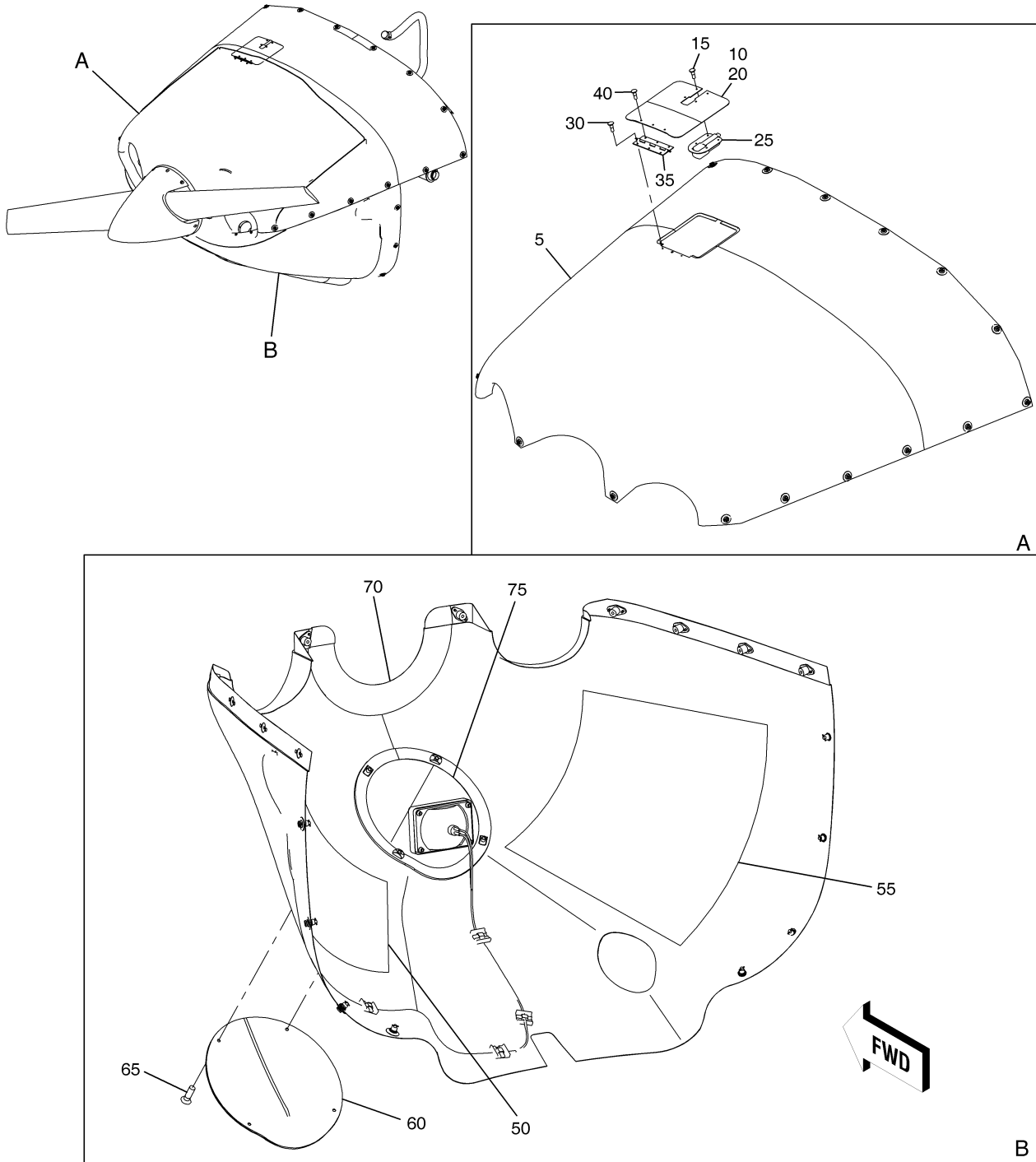
71-10-00

Page 1
NOV 1/07

LIBERTY AEROSPACE

135A-970-400

ILLUSTRATED PARTS CATALOG



LBTY_711000_01_01_C00

IPL Figure 01
Upper and Lower Cowl Assemblies

Use or disclosure of this data is subject to restrictions on the Title Page of this document.

71-10-00

LIBERTY AEROSPACE

135A-970-400

ILLUSTRATED PARTS CATALOG

FIG. & ITEM	PART NUMBER	1234567 NOMENCLATURE	EFF CODE	UNITS PER ASSY
01				
- 1	135A-50-103	UPPER COWL ASSY (FOR NHA SEE 72-00-00 FIG. 01)		REF
5	135A-50-401	. COWL, UPPER		1
10	135A-50-110	. PANEL ASSY, OIL ACCESS		1
		(ATTACHING PARTS)		
15	MS20427F3-4	. RIVET, COUNTERSUNK HEAD, CRES, 3/32 X .25		3

20	135A-50-406	. . PANEL, OIL ACCESS		1
25	H5000-2-102-125	. . LATCH, FLUSH		1
		(ATTACHING PARTS)		
30	MS20427F3-3	. . RIVET, COUNTERSUK HEAD, CRES, 3-32 X .18		4

35	135A-50-204	. . HINGE ASSY, OIL DOOR		1
		(ATTACHING PARTS)		
40	MS20427F3-3	. . RIVET, COUNTERSUK HEAD, CRES, 3-32 X .18		3

- 45	135A-50-105	LOWER COWL ASSY (FOR NHA SEE 72-00-00 FIG. 01) (FOR ADDITIONAL DETAILS SEE 33-40-00 FIG. 01)		REF
50	135A-50-331	. BLANKET, INSULATION, PORT		1
55	135A-50-334	. BLANKET, INSULATION, STBD		1
60	135A-50-333	. LENS COVER, LANDING LIGHT		1
		(ATTACHING PARTS)		
65	MS24694-C51	. SCREW, MACHINE, 10-32		4

70	135A-50-403	. COWL, LOWER		1
75	135A-50-421	. HOUSING, LANDING LIGHT		1

- ITEM NOT ILLUSTRATED

LIBERTY AEROSPACE

135A-970-400

ILLUSTRATED PARTS CATALOG

THIS PAGE INTENTIONALLY LEFT BLANK

Use or disclosure of this data is subject to restrictions on the Title Page of this document.

71-10-00

Page 4
NOV 1/07

LIBERTY AEROSPACE

135A-970-400

ILLUSTRATED PARTS CATALOG

DETAILED PARTS LIST

Use or disclosure of this data is subject to restrictions on the Title Page of this document.

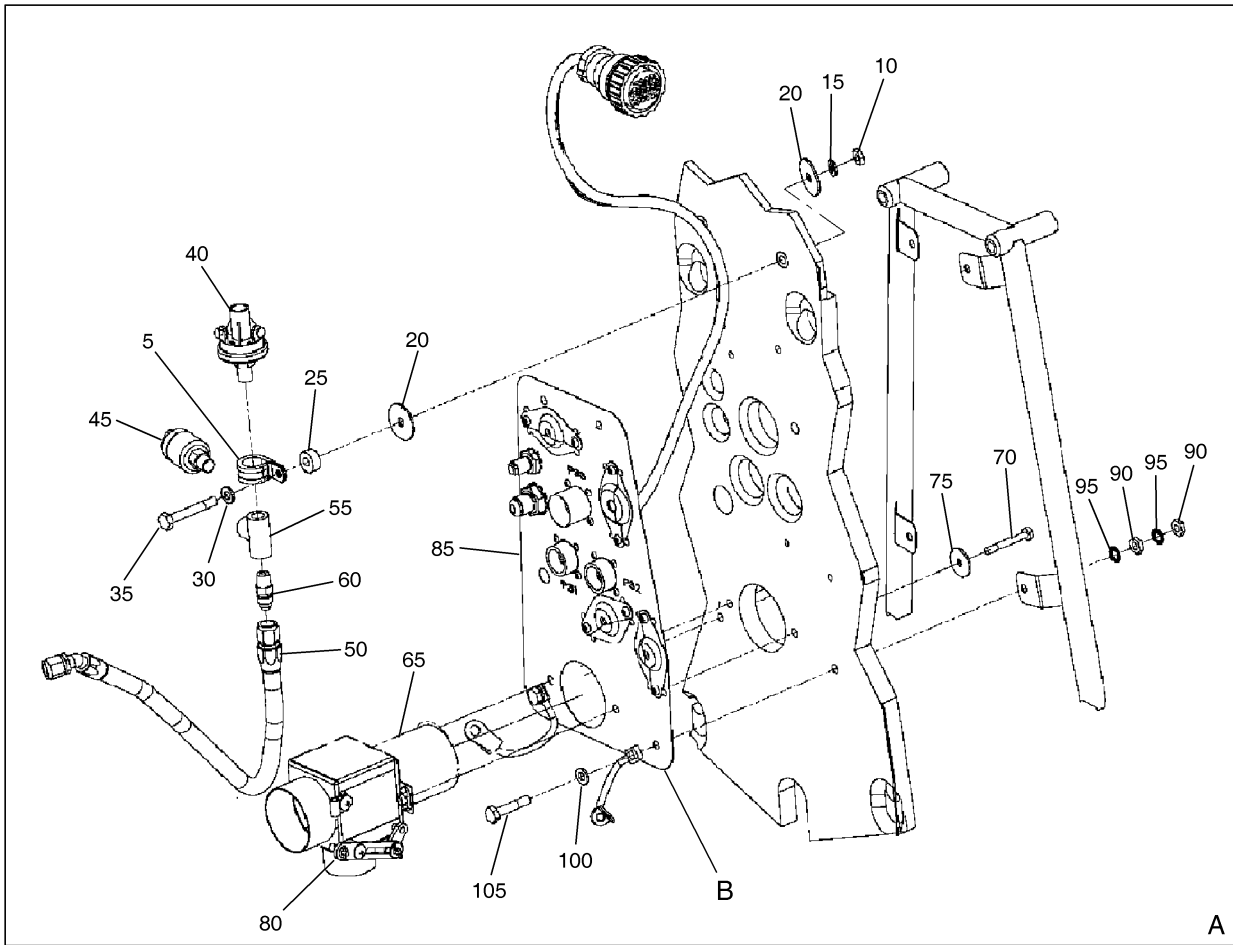
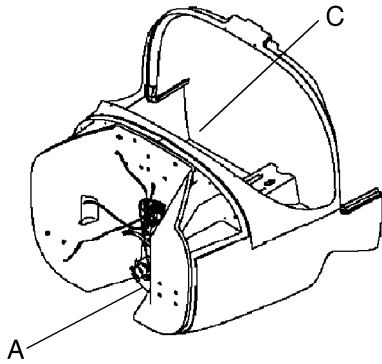
71-30-00

Page 1
NOV 1/07

LIBERTY AEROSPACE

135A-970-400

ILLUSTRATED PARTS CATALOG



LBTY_713000_01_01_C00

IPL Figure 01 (Sheet 1 of 3)
Firewall Assembly

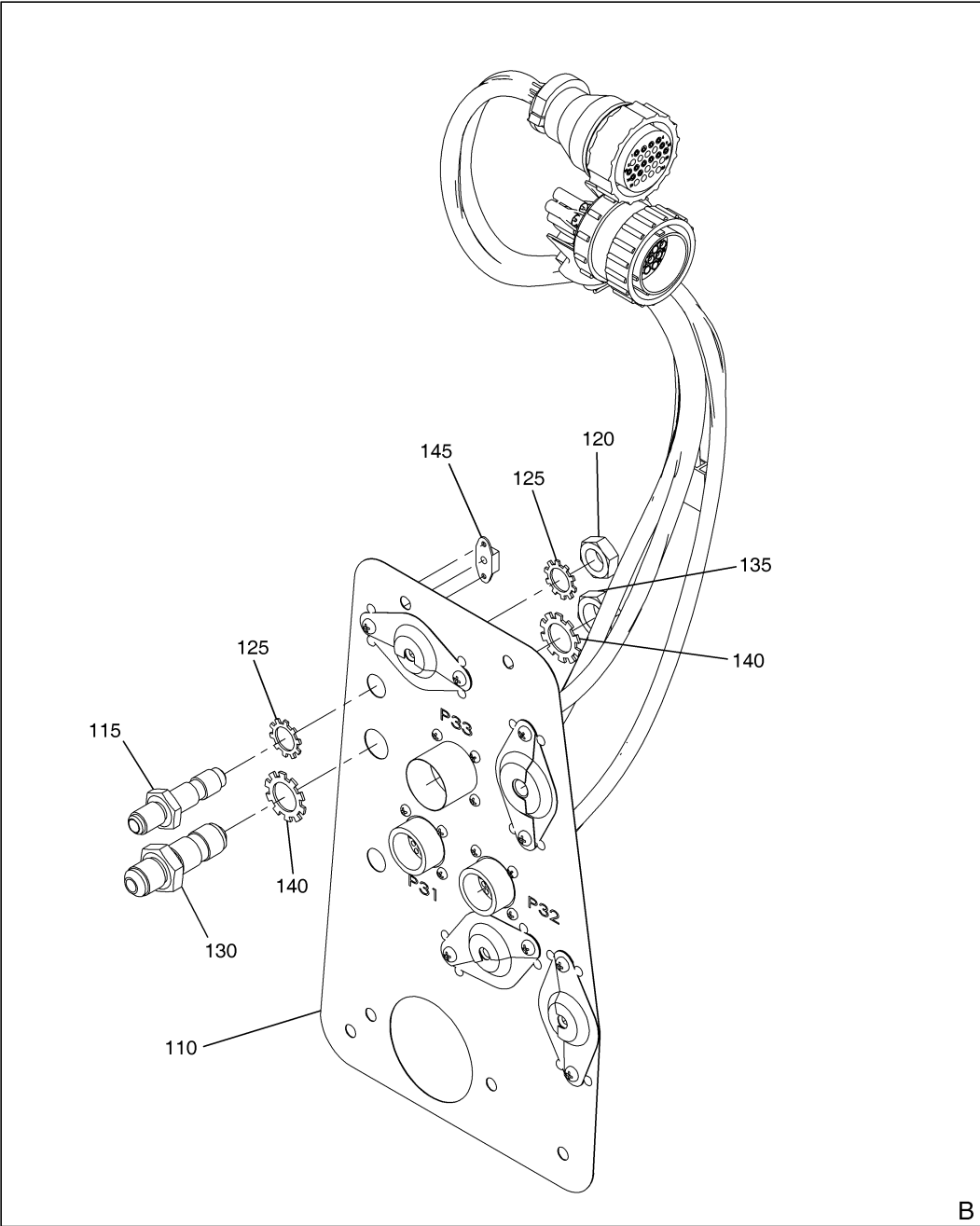
Use or disclosure of this data is subject to restrictions on the Title Page of this document.

71-30-00

LIBERTY AEROSPACE

135A-970-400

ILLUSTRATED PARTS CATALOG



LBTY_713000_01_02_C00

IPL Figure 01 (Sheet 2 of 3)
Firewall Assembly

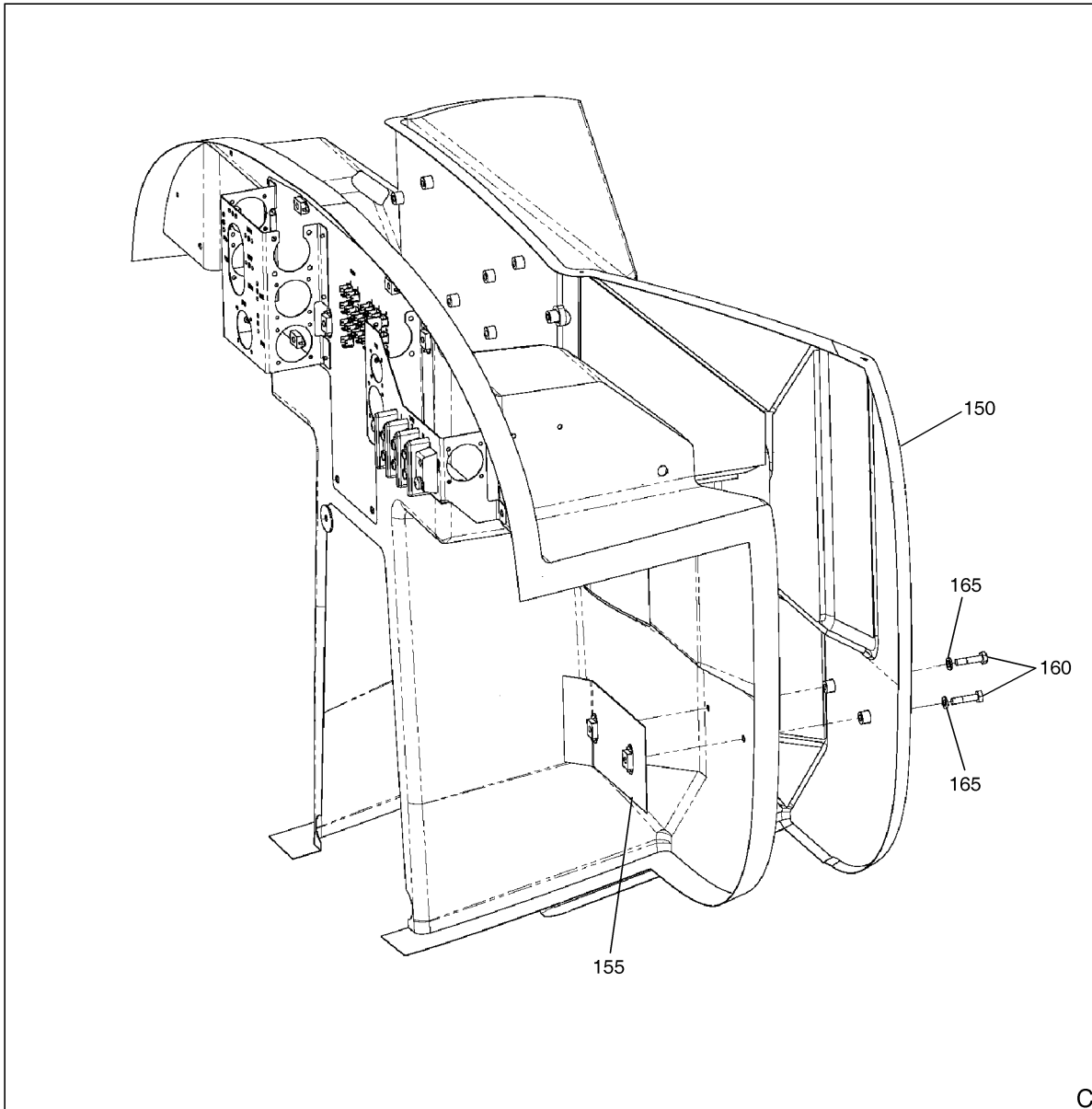
Use or disclosure of this data is subject to restrictions on the Title Page of this document.

71-30-00

LIBERTY AEROSPACE

135A-970-400

ILLUSTRATED PARTS CATALOG



LBTY_713000_01_03_C00

IPL Figure 01 (Sheet 3 of 3)
Firewall Assembly

Use or disclosure of this data is subject to restrictions on the Title Page of this document.

71-30-00

LIBERTY AEROSPACE

135A-970-400

ILLUSTRATED PARTS CATALOG

FIG. & ITEM	PART NUMBER	1234567 NOMENCLATURE	EFF CODE	UNITS PER ASSY
01				
- 1	135A-50-025	FIREWALL ASSEMBLY (FOR NHA SEE 72-00-00 FIG. 01) (SEE NOTE 1)	A	REF
- 1	135A-50-027	FIREWALL ASSEMBLY (FOR NHA SEE 72-00-00 FIG. 01) (SEE NOTE 1)	B	REF
5	MS9350-08	. CLAMP (ATTACHING PARTS)	A, B	1
10	AN316-4	. NUT, JAM, 1/4-28 RH		1
15	MS35338-44	. WASHER, LOCK, SPLIT		1
20	AN970-4	. WASHER, FLAT		2
25	135A-50-545	. SPACER, BAFFLE		1
30	NAS1149F0463P	. WASHER, FLAT		1
35	AN4C-16A	. BOLT, 1/4-28		1

40	76579	. SENDING UNIT, METER	A, B	1
45	3010018	. TRANSDUCER, OIL PRESSURE	A, B	1
50	AE3663162E0200	. HOSE ASSY	A, B	1
55	AN917-1	. TEE	A, B	1
60	AN816-4	. ADAPTER	A, B	1
65	135A-50-163	. BOX ASSY, CABIN HEAT (ATTACHING PARTS)	B	1
70	AN3-14A	. BOLT, 10-32		2
75	AN970-3	. WASHER, FLAT		2

80	05-16210	. "B" NUT, CABLE END	B	1
85	135A-50-131	. FIREWALL ASSY, TUNNEL (SEE NOTE 1)	A	
85	135A-50-161	. FIREWALL ASSY, TUNNEL (SEE NOTE 1) (ATTACHING PARTS)	B	1
90	AN316-4	. NUT, JAM, 1/4-28 RH		4
95	MS35333-74	. WASHER, LOCK, FLAT-INTERNAL TOOTH		8
100	NAS1149C0463R	. WASHER, FLAT		4
105	AN4C-12A	. BOLT, 1/4-28		4

110	135A-50-501	. FIREWALL, TUNNEL (SEE NOTE 1)	A	
110	135A-50-763	. FIREWALL, TUNNEL (SEE NOTE 1)	B	1
115	AN832-4	. UNION, FLARED TUBE, 1/4 (ATTACHING PARTS)		1
120	AN924-4	. NUT, TUBE		1
125	MS35335-36	. WASHER, LOCK, EXTERNAL TOOTH		2

130	AN832-6	. UNION, FLARED TUBE, 3/8 (ATTACHING PARTS)	A, B	1
135	AN924-6	. NUT, TUBE		1
140	MS35335-38	. WASHER, LOCK, EXTERNAL TOOTH		2

- ITEM NOT ILLUSTRATED

Use or disclosure of this data is subject to restrictions on the Title Page of this document.

71-30-00

LIBERTY AEROSPACE

135A-970-400

ILLUSTRATED PARTS CATALOG

FIG. & ITEM	PART NUMBER	1234567 NOMENCLATURE	EFF CODE	UNITS PER ASSY
01		-----		
145	CB6014CR06	. . NUT PLATE, FLOATING	A, B	8
150	33M1154-301	. ASSY, FIREWALL	A, B	1
155	135A-10-272	. FOOTWELL ASSY, PLATE BACKING	A, B	1
		(ATTACHING PARTS)		
160	AN4C-11A	. BOLT, 1/4-28		2
165	NAS1149C0463R	. WASHER, FLAT		2

		NOTES:		
		1. FIREWALL COMPONENTS VARY BY AIRCRAFT, REFER TO AIRCRAFT FLIGHT MANUAL, CUSTOMER PURCHASE ORDER OR THE PART NUMBER MARKED ON THE COMPONENT TO ORDER SPARES.		

- ITEM NOT ILLUSTRATED

LIBERTY AEROSPACE

135A-970-400

ILLUSTRATED PARTS CATALOG

DETAILED PARTS LIST

Use or disclosure of this data is subject to restrictions on the Title Page of this document.

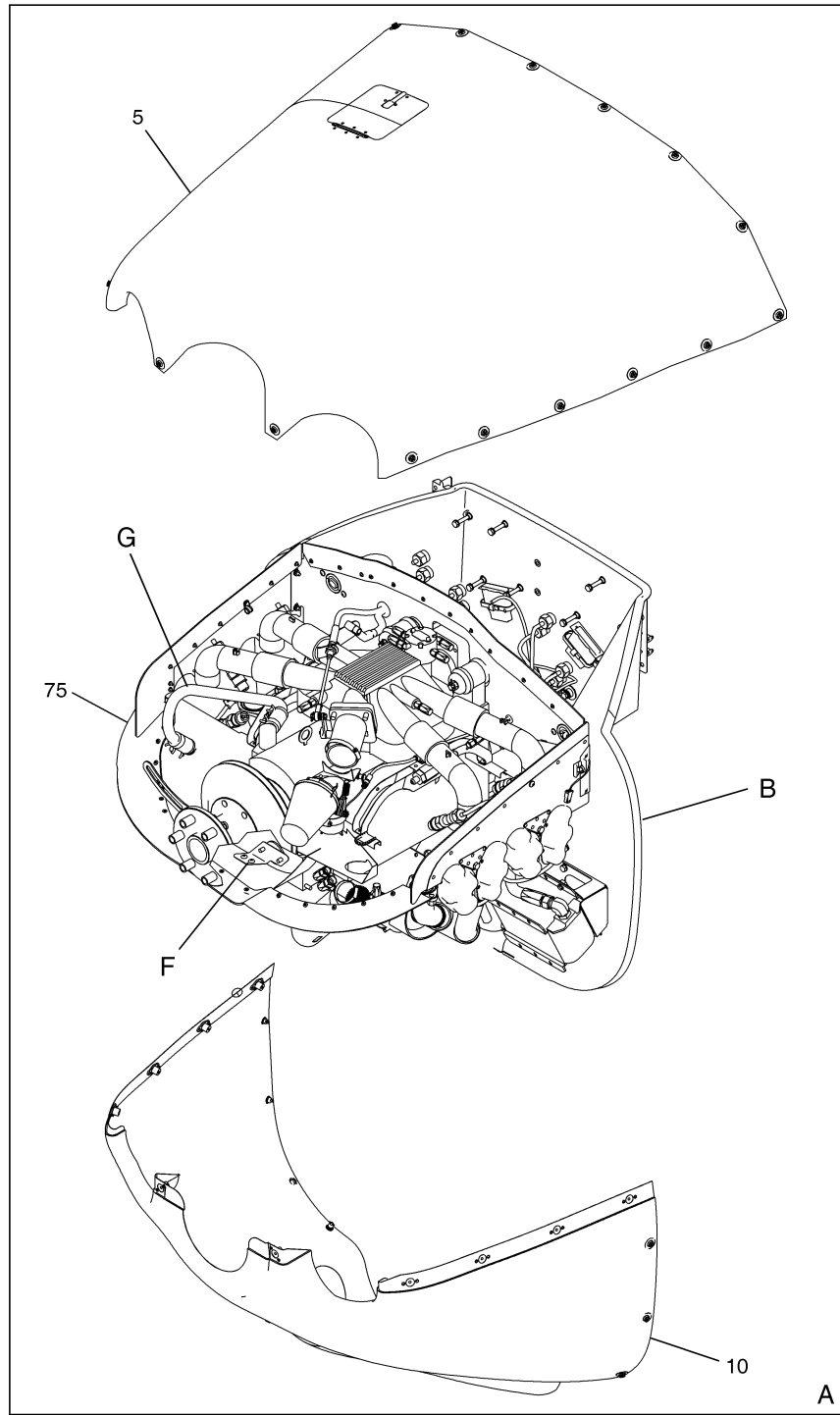
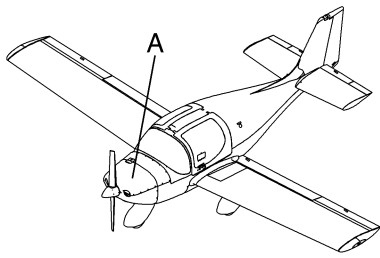
72-00-00

Page 1
NOV 1/07

LIBERTY AEROSPACE

135A-970-400

ILLUSTRATED PARTS CATALOG



LBTY_720000_01_01_C00

IPL Figure 01 (Sheet 1 of 5)
Engine Installation

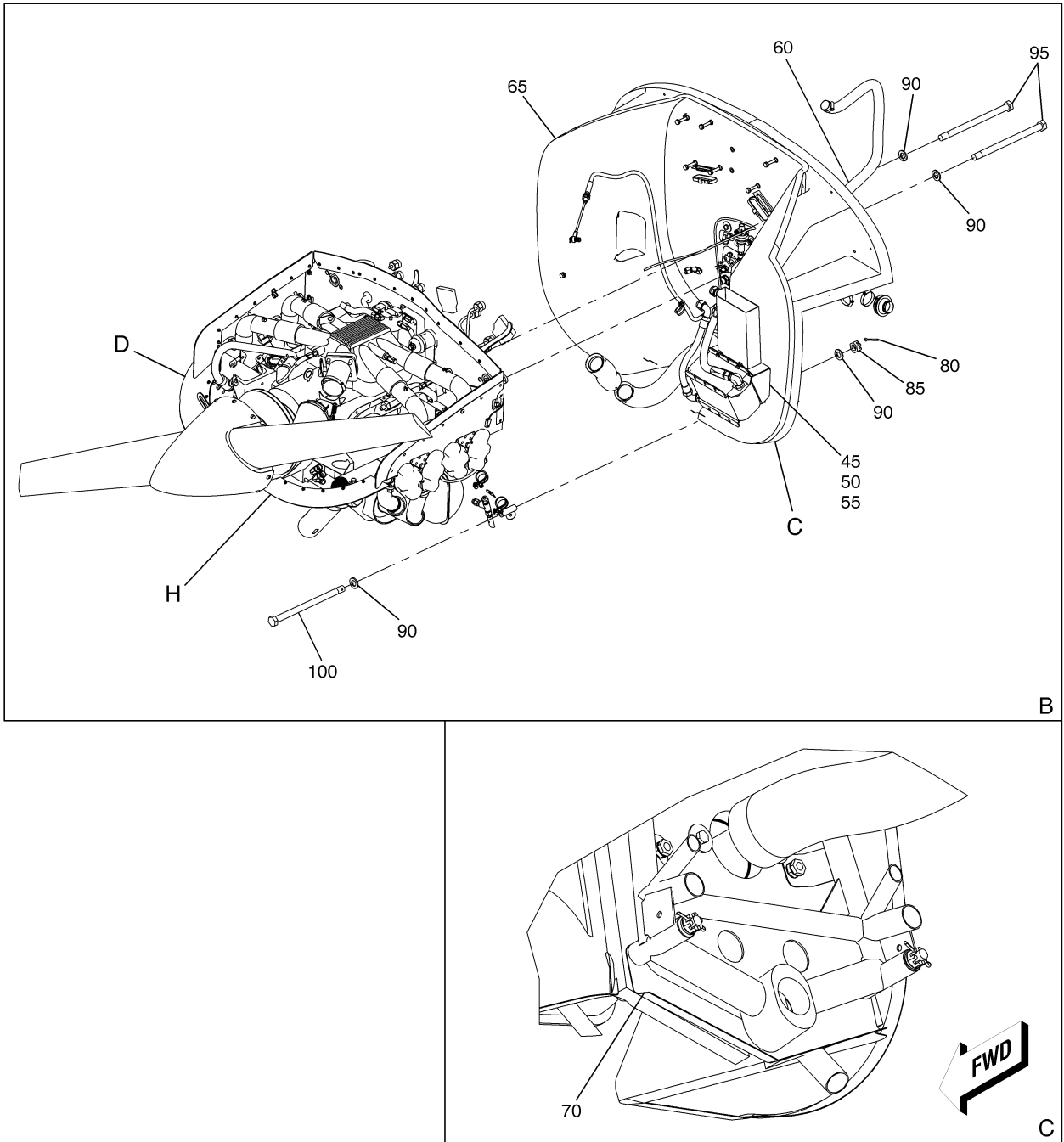
Use or disclosure of this data is subject to restrictions on the Title Page of this document.

72-00-00

LIBERTY AEROSPACE

135A-970-400

ILLUSTRATED PARTS CATALOG



LBTY_720000_01_02_C00

IPL Figure 01 (Sheet 2 of 5)
Engine Installation

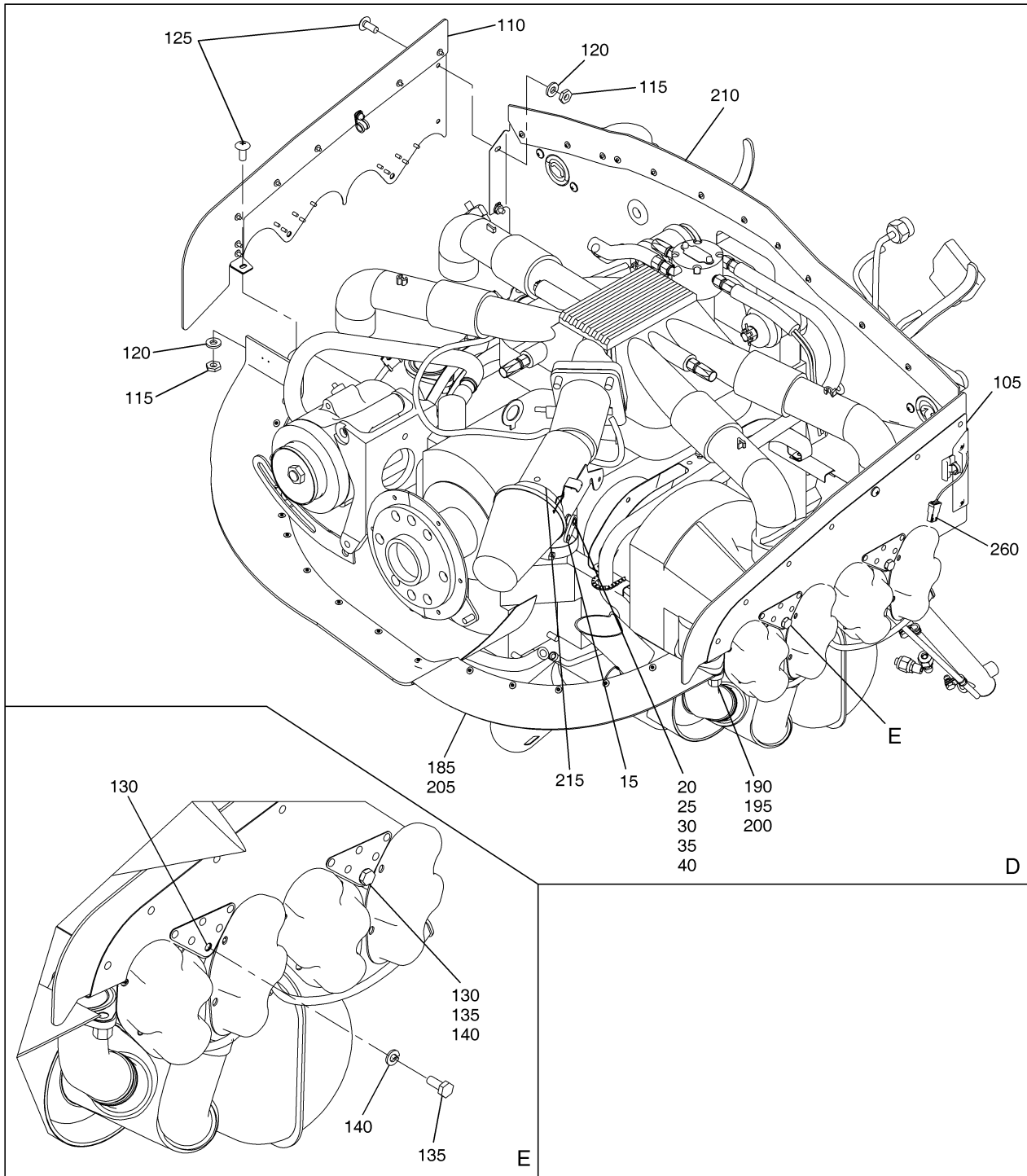
Use or disclosure of this data is subject to restrictions on the Title Page of this document.

72-00-00

LIBERTY AEROSPACE

135A-970-400

ILLUSTRATED PARTS CATALOG



LBTY_720000_01_03_C00

IPL Figure 01 (Sheet 3 of 5)
Engine Installation

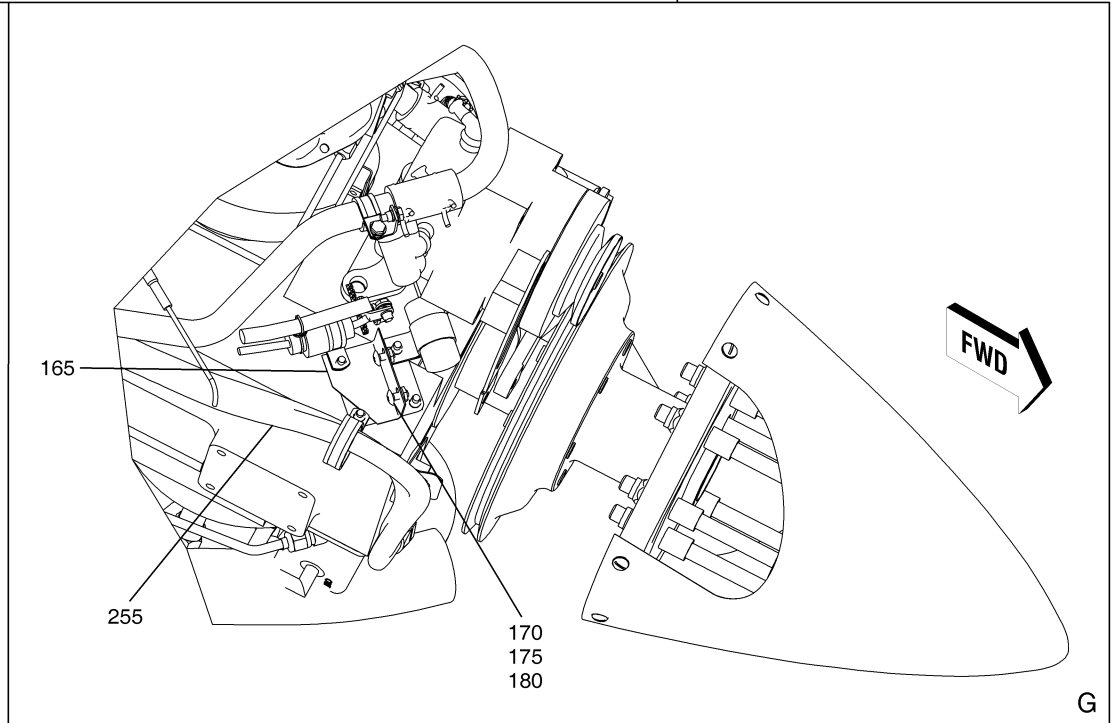
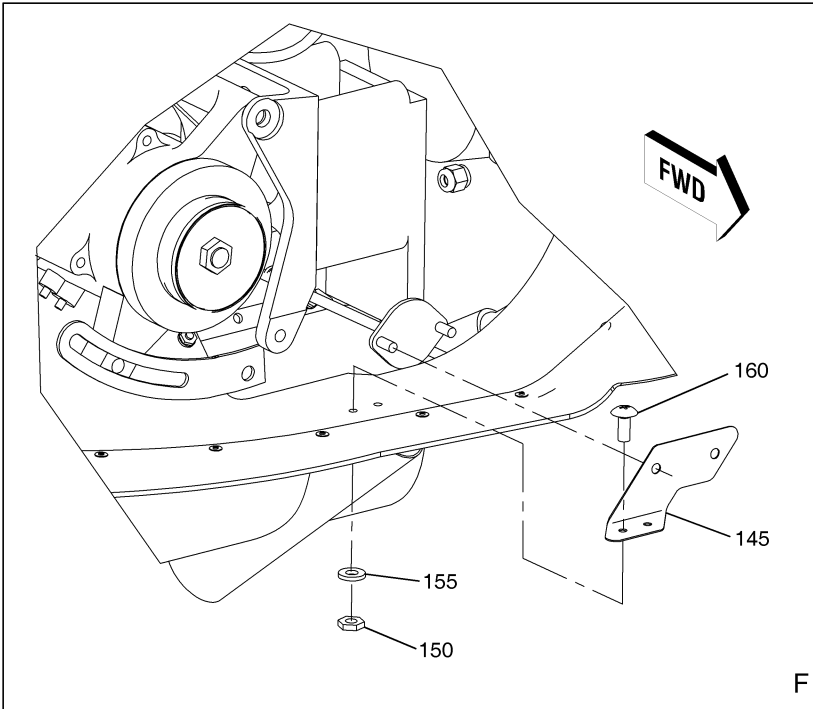
Use or disclosure of this data is subject to restrictions on the Title Page of this document.

72-00-00

LIBERTY AEROSPACE

135A-970-400

ILLUSTRATED PARTS CATALOG



LBTY_720000_01_04_C00

IPL Figure 01 (Sheet 4 of 5)
Engine Installation

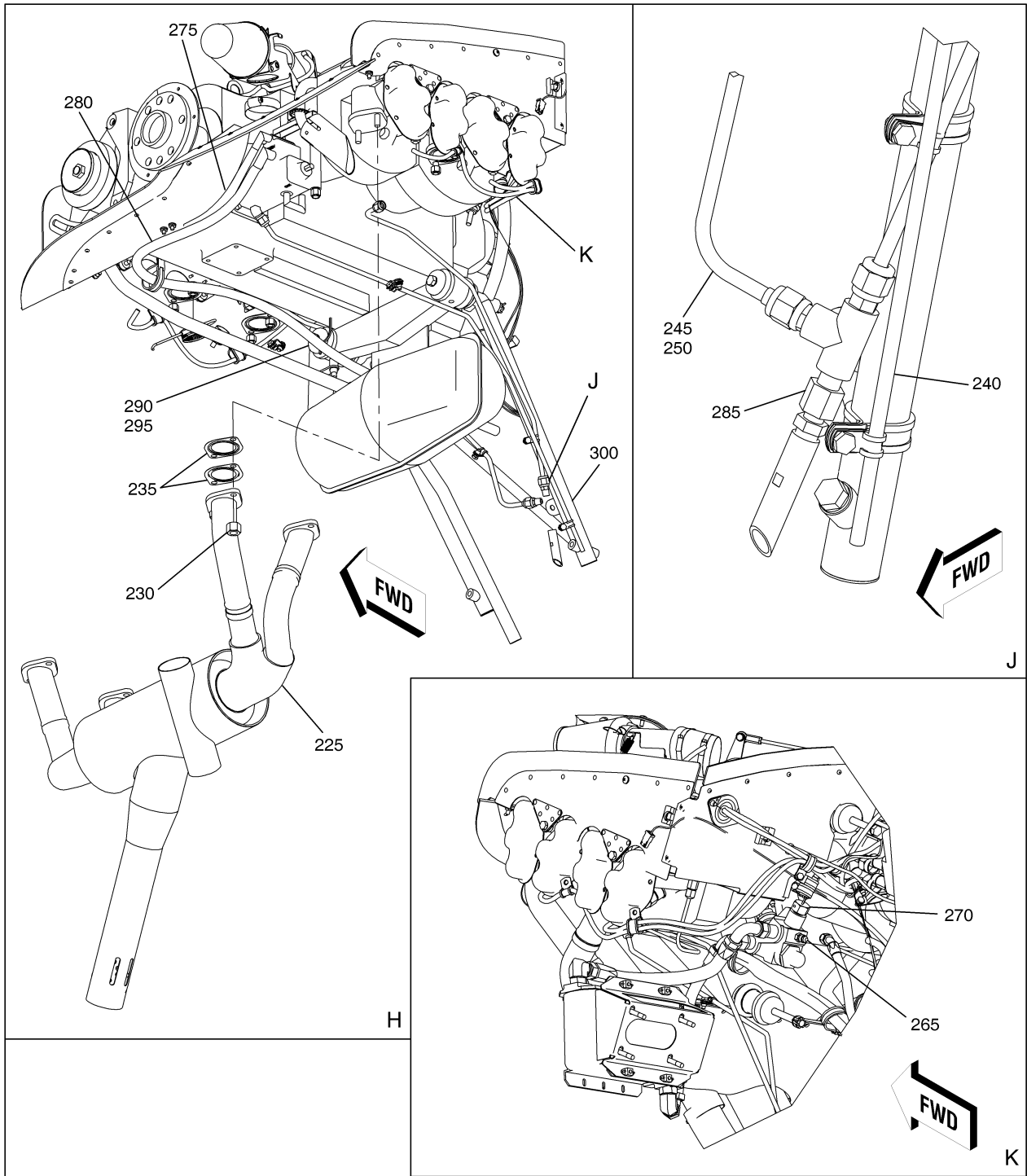
Use or disclosure of this data is subject to restrictions on the Title Page of this document.

72-00-00

LIBERTY AEROSPACE

135A-970-400

ILLUSTRATED PARTS CATALOG



LBTY_720000_01_05_C00

IPL Figure 01 (Sheet 5 of 5)
Engine Installation

Use or disclosure of this data is subject to restrictions on the Title Page of this document.

72-00-00

LIBERTY AEROSPACE

135A-970-400

ILLUSTRATED PARTS CATALOG

FIG. & ITEM	PART NUMBER	1234567 NOMENCLATURE	EFF CODE	UNITS PER ASSY
01				
- 1	135A-50-015	ENGINE INSTALLATION (FOR NHA SEE 03-00-00 FIG. 02) (FOR ADDITIONAL DETAILS SEE 61-10-00 FIG. 01) (SEE NOTE 1)	A	REF
- 1	135A-50-017	ENGINE INSTALLATION (FOR NHA SEE 03-00-00 FIG. 02) (FOR ADDITIONAL DETAILS SEE 61-10-00 FIG. 01) (SEE NOTE 1)	B	REF
5	135A-50-103	. COWL ASSY, UPPER (FOR DETAIL BREAKDOWN SEE 71-10-00 FIG. 01)	A, B	1
10	135A-50-105	. COWL ASSY, LOWER (FOR DETAIL BREAKDOWN SEE 71-10-00 FIG. 01)	A, B	1
15	135A-50-759	. SPRING PLATE (ATTACHING PARTS)	A, B	1
- 20	MS24665-151	. PIN, SPLIT, 1/16 X 1/2		1
- 25	MS17825-3	. NUT, CASTELLATED, SELF-LOCKING, 10-32		1
- 30	NAS1149F0332P	. WASHER, FLAT		1
- 35	135A-50-757	. BUSHING, AIR INDUCTION CABLE		1
- 40	135A-50-761	. BOLT, ALTERED AN3C-7, 10-32		1
		- - - - -		
45	135A-50-207	. BRACKET ASSEMBLY, OIL COOLER (ATTACHING PARTS)	A, B	1
- 50	AN4C-12A	. BOLT, 1/4-28		4
- 55	NAS1149C0463R	. WASHER, FLAT		4
		- - - - -		
- 60	135A-50-767	. TUBE CONNECTOR, 4-WAY (SEE NOTE 1)	B	1
65	135A-50-025	. FIREWALL ASSY (FOR DETAIL BREAKDOWN SEE 71-30-00 FIG. 01) (SEE NOTE 1)	A	1
65	135A-50-027	. FIREWALL ASSY (FOR DETAIL BREAKDOWN SEE 71-30-00 FIG. 1) (SEE NOTE 1)	B	1
70	135A-50-701	. FIRE ANGLE, BELLY PANEL	A, B	1
75	135A-50-021	. ENGINE ASSY, DRESSED (SEE NOTE 1)	A	1
75	135A-50-023	. ENGINE ASSY, DRESSED (SEE NOTE 1)	B	1
		(ATTACHING PARTS)		
80	MS24665-231	. PIN, SPLIT, 5/64 X 1 (SEE NOTE 2)		4
85	MS17825-5	. NUT, CASTELLATED, SELF-LOCKING, 5/16 RH (SEE NOTE 2)		4
90	NAS1149F0563P	. WASHER, FLAT (SEE NOTE 2)		8
95	AN5-44	. BOLT, 5/16-24 (SEE NOTE 2)		2
100	AN5-46	. BOLT, 5/16-24 (SEE NOTE 2)		2
		- - - - -		
105	135A-50-125	. . BAFFLE ASSY, PORT	A, B	1
110	135A-50-128	. . BAFFLE ASSY, STBD (ATTACHING PARTS)	A, B	1
115	MS21083-N3	. . NUT, SELF-LOCKING		3
120	NAS1149F0363P	. . WASHER, FLAT		3

- ITEM NOT ILLUSTRATED

Use or disclosure of this data is subject to restrictions on the Title Page of this document.

72-00-00

LIBERTY AEROSPACE

135A-970-400

ILLUSTRATED PARTS CATALOG

FIG. & ITEM	PART NUMBER	1234567 NOMENCLATURE	EFF CODE	UNITS PER ASSY
01				
125	AN525-10R7	.. SCREW, WASHER HEAD, 10-32 X 7/16 -----		3
130	135A-50-545	.. SPACER, BAFFLE (ATTACHING PARTS)	A, B	4
135	MS35307-305	.. BOLT, 1/4-20 UNC		1
140	MS35338-44	.. LOCKWASHER, SPLIT, 1/4 -----		1
145	135A-50-753	.. BRACKET, BAFFLE SUPPORT, FWD (ATTACHING PARTS)	A, B	1
150	MS21083-N3	.. NUT, SELF-LOCKING		2
155	NAS1149F0363P	.. WASHER, FLAT		2
160	AN525-10R7	.. SCREW, WASHER HEAD, 10-32 X 7/16 -----		2
165	135A-50-755	.. BRACKET, BAFFLE SUPPORT (ATTACHING PARTS)	A, B	1
170	MS21083-N3	.. NUT, SELF-LOCKING		2
175	NAS1149F0363P	.. WASHER, FLAT		2
180	AN525-10R7	.. SCREW, WASHER HEAD, 10-32 X 7/16 -----		2
185	135A-50-149	.. BAFFLE ASSY, FWD (SEE NOTE 1)	A	1
185	135A-50-157	.. BAFFLE ASSY, FWD (SEE NOTE 1) (ATTACHING PARTS)	B	1
- 190	MS21083-N3	.. NUT, SELF-LOCKING		4
- 195	NAS1149F0363P	.. WASHER, FLAT		4
- 200	AN525-10R7	.. SCREW, WASHER HEAD, 10-32 X 7/16 -----		4
205	135A-50-159	.. WELDMENT, BAFFLE, FWD	A, B	1
210	135A-50-113	.. BAFFLE ASSY, AFT	A, B	1
215	135A-50-143	.. INDUCTION BOX, AIR (ATTACHING PARTS)	A, B	1
- 220	62M36	.. CLAMP -----		2
225	DEL200201-001	.. EXHAUST SYSTEM (SEE NOTE 1)	A	1
225	DEL200201-002	.. EXHAUST SYSTEM (SEE NOTE 1) (ATTACHING PARTS)	B	1
230	22022	.. NUT, EXHAUST		8
235	630365E	.. GASKET, EXHAUST FLANGE -----		8
240	135A-50-253	.. DRAIN TUBE, MECHANICAL FUEL PUMP	A, B	1
245	135A-50-271	.. TUBE ASSY, CYLINDER DRAIN, PORT SIDE	A, B	1
- 250	135A-50-272	.. TUBE ASSY, CYLINDER DRAIN, STBD SIDE	A, B	1
255	135A-50-283	.. BREATHER TUBE, CRANK CASE	A, B	1

- ITEM NOT ILLUSTRATED

Use or disclosure of this data is subject to restrictions on the Title Page of this document.

72-00-00

LIBERTY AEROSPACE

135A-970-400

ILLUSTRATED PARTS CATALOG

FIG. & ITEM	PART NUMBER	1234567 NOMENCLATURE	EFF CODE	UNITS PER ASSY
01				
260	135A-81-244	. . HARNESS, P33, FWD	A, B	1
265	135A-50-225	. . RESTRICTOR, OIL	A, B	1
270	135A-81-260	. . SENSOR ASSY, OIL TEMPERATURE	A, B	1
275	AE3663161E0400	. . HOSE, FUEL	A, B	1
280	AE3663161G0400	. . HOSE, FUEL	A, B	1
285	639486	. . ASSY, CHECK VALVE	A, B	1
290	135A-50-690	. . SHIELD, ENGINE MOUNT, LOWER (ATTACHING PARTS)	A, B	1
295	MS21042-5	. . NUT, SELF LOCKING -----		1
300	135A-50-201	. . FRAME, ENGINE MOUNT, CONTINENTAL	A, B	1
		NOTES: 1. ENGINE INSTALLATION, DRESSED ENGINE ASSY AND COMPONENTS VARY BY AIRCRAFT, REFER TO AIRCRAFT FLIGHT MANUAL, CUSTOMER PURCHASE ORDER OR THE PART NUMBER MARKED ON THE COMPONENT TO ORDER SPARES. 2. ATTACHING PARTS FOR ITEM 65 FIREWALL ASSY, ITEM 70 BELLY PANEL FIRE ANGLE, AND ITEM 75 DRESSED ENGINE ASSY.		

- ITEM NOT ILLUSTRATED

LIBERTY AEROSPACE

135A-970-400

ILLUSTRATED PARTS CATALOG

THIS PAGE INTENTIONALLY LEFT BLANK

Use or disclosure of this data is subject to restrictions on the Title Page of this document.

72-00-00

Page 10
NOV 1/07

LIBERTY AEROSPACE

135A-970-400

ILLUSTRATED PARTS CATALOG

DETAILED PARTS LIST

Use or disclosure of this data is subject to restrictions on the Title Page of this document.

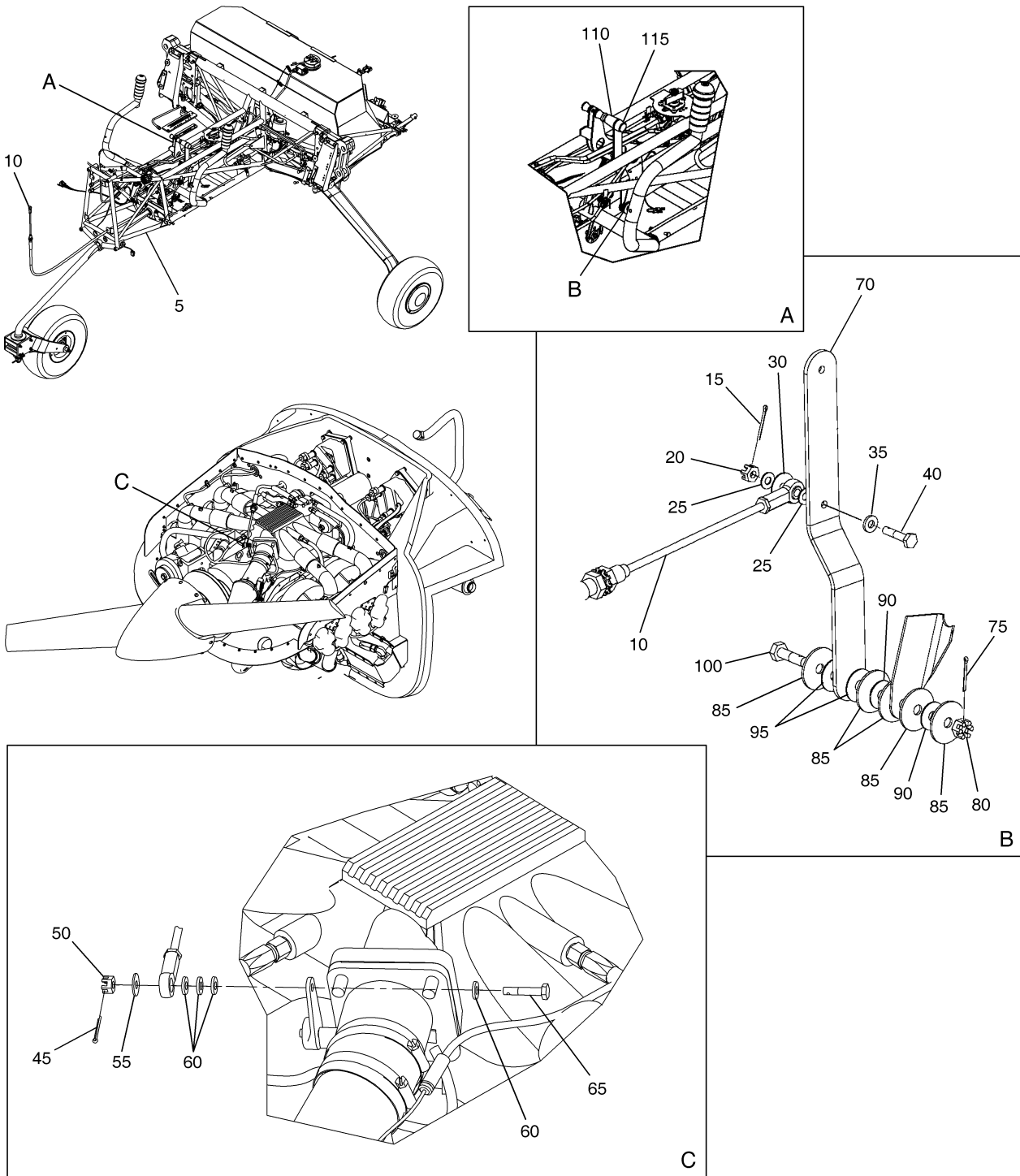
73-20-00

Page 1
NOV 1/07

LIBERTY AEROSPACE

135A-970-400

ILLUSTRATED PARTS CATALOG



LBTY_732000_01_01_C00

IPL Figure 01
Throttle

Use or disclosure of this data is subject to restrictions on the Title Page of this document.

LIBERTY AEROSPACE

135A-970-400

ILLUSTRATED PARTS CATALOG

FIG. & ITEM	PART NUMBER	1234567 NOMENCLATURE	EFF CODE	UNITS PER ASSY
01				
- 1	135A-10-047	SPACE FRAME, FLAP SYSTEM (FOR NHA SEE 50-00-00 FIG. 02)		REF
5	135A-10-059	. SPACE FRAME, FUEL SYSTEM (FOR DETAIL BREAKDOWN SEE 28-00-00 FIG. 01)		1
10	580-700-093	. CABLE ASSY, THROTTLE (ATTACHING PARTS)		1
15	MS24665-153	. PIN, SPLIT, 1/16 X 3/4		1
20	MS17825-3	. NUT, CASTLE, SELF-LOCKING, 10-32		1
25	NAS1149F0332P	. WASHER, FLAT		2
30	5710-291-30	. WASHER, FLAT		1
35	NAS1149F0363P	. WASHER, FLAT		1
40	AN3C-6A	. BOLT, 10-32		1
45	MS24665-134	. PIN, SPLIT, 1/16 X 3/4 (SEE NOTE 1)		1
50	MS17825-3	. NUT, CASTLE, SELF-LOCKING, 10-32 (SEE NOTE 1)		1
55	5710-291-30	. WASHER, FLAT (SEE NOTE 1)		1
60	NAS1149F0363P	. WASHER, FLAT (SEE NOTE 1)		4
65	AN3-10	. BOLT, 10-32 (SEE NOTE 1)		1

70	135A-10-803	. LEVER, THROTTLE (ATTACHING PARTS)		1
75	MS24665-153	. PIN, SPLIT, 1/16 X 3/4		1
80	MS17825-4	. NUT, CASTLE, SELF-LOCKING, 1/4-28		1
85	AN970-4	. WASHER, FLAT		5
90	5806-13-3	. WASHER, WAVE		2
95	MS51859-18	. WASHER, FLAT, PLASTIC		2
100	AN4-7	. BOLT, 1/4-28		1

- 105	135A-10-041	FUSELAGE TO SPACE FRAME (FOR NHA SEE 53-00-00 FIG. 01) (FOR ADDITIONAL DETAILS SEE 25-10-00 FIG. 01, 27-40-00 FIG. 01, 32-40-00 FIG. 01, 33-10-00 FIG. 01, AND 52-10-00 FIG. 01)		REF
110	135A-10-805	. HANDLE, THROTTLE LEVER, PORT		1
115	135A-10-806	. HANDLE, THROTTLE LEVER, STBD		1
		NOTES: 1. FOR NHA SEE 135A-50-015 AND -017 ENGINE INSTALLATION.		

- ITEM NOT ILLUSTRATED

Use or disclosure of this data is subject to restrictions on the Title Page of this document.

LIBERTY AEROSPACE

135A-970-400

ILLUSTRATED PARTS CATALOG

THIS PAGE INTENTIONALLY LEFT BLANK

Use or disclosure of this data is subject to restrictions on the Title Page of this document.

73-20-00

Page 4
NOV 1/07

LIBERTY AEROSPACE

135A-970-400

ILLUSTRATED PARTS CATALOG

NUMERICAL INDEX

Part Number	System/ Sub-System	Fig - Item	Total Req.
A01787-10Z	53-00-00	01 - 215	6
A4050-A4138	27-10-00	01 - 95	2
A413AHDACF	24-00-00	01 - 30	1
A-510-2K	31-10-00	01 - 175	1
	52-10-00	01 - 175	1
ACOM01A	23-10-00	01 - 10	1
ACOM02A	23-10-00	01 - 15	1
AE3660000B0400	32-40-00	01 - 10	2
AE3663162E0200	71-30-00	01 - 50	1
AE7010000G0080	28-00-00	01 - 155	1
AGPS01A	23-10-00	01 - 20	1
AGPS02A	23-10-00	01 - 25	1
AGS-3232TC-8-10	24-00-00	01 - 105	1
AGS-3233	24-00-00	01 - 120	1
	24-00-00	01 - 140	1
AK-450	25-10-00	02 - 20	1
AMB01A	23-10-00	01 - 30	1
AN3-10	73-20-00	01 - 65	1
AN3-11A	32-40-00	01 - 115	2
AN3-14A	71-30-00	01 - 70	2
AN316-4	71-30-00	01 - 10	1
	71-30-00	01 - 90	4
AN316-4R	27-40-00	01 - 455	1
	27-50-00	01 - 65	1
AN3-16A	28-00-00	01 - 110	1
AN3-23	32-40-00	01 - 85	1
AN3-3A	28-00-00	01 - 30	1
	28-00-00	01 - 85	1
AN3-5	32-40-00	01 - 135	1
AN3-6	27-50-00	01 - 100	2
	32-40-00	01 - 50	1
AN3-7	32-40-00	01 - 55	1
AN3-7A	27-10-00	01 - 65	4
AN3C-3A	53-00-00	01 - 450	2
	53-00-00	01 - 485	3
AN3C3A	24-00-00	01 - 25	2
	24-00-00	01 - 50	2
AN3C-4A	53-00-00	01 - 390	2
	53-00-00	01 - 435	7
	53-00-00	01 - 470	8
AN3C-5A	53-00-00	01 - 375	2
	53-00-00	01 - 395	2
	53-00-00	01 - 500	3
AN3C5A	53-00-00	01 - 70	2

Use or disclosure of this data is subject to restrictions on the Title Page of this document.

NUMERICAL INDEX

Page 1

NOV 1/07

LIBERTY AEROSPACE

135A-970-400

ILLUSTRATED PARTS CATALOG

Part Number	System/ Sub-System	Fig - Item	Total Req.
AN3C-6A	73-20-00	01 - 40	1
	27-50-00	01 - 190	2
	53-00-00	01 - 350	2
AN3C6A	24-00-00	01 - 175	1
	32-10-00	01 - 135	2
AN4-10	27-20-00	01 - 35	1
	27-20-00	01 - 60	1
	27-20-00	01 - 120	1
	27-20-00	01 - 275	1
	27-50-00	01 - 50	1
AN4-11	27-20-00	01 - 85	1
	27-20-00	01 - 145	1
	27-20-00	01 - 240	2
	27-40-00	01 - 360	1
	27-50-00	01 - 30	1
AN4-12	27-20-00	01 - 295	1
	27-20-00	01 - 330	1
AN4-14A	27-40-00	01 - 275	4
	27-40-00	01 - 300	2
	27-40-00	01 - 335	4
AN4-15	24-00-00	01 - 160	1
AN4-21	27-40-00	01 - 395	1
AN4-23A	53-00-00	01 - 130	2
AN4-31	27-20-00	01 - 205	1
	27-40-00	01 - 125	1
AN4-33	27-40-00	01 - 30	1
AN4-4A	28-00-00	01 - 140	2
AN4-5A	25-10-00	01 - 50	2
	73-20-00	01 - 100	1
	27-10-00	01 - 25	2
AN4-7	27-10-00	01 - 45	2
AN4-7A	28-00-00	01 - 250	4
AN4C-10A	25-10-00	01 - 70	1
AN4C-11A	71-30-00	01 - 160	2
AN4C-12A	72-00-00	01 - 50	4
	71-30-00	01 - 105	4
AN4C-15A	53-10-00	01 - 35	2
AN4C-16A	71-30-00	01 - 35	1
AN4C-4A	24-00-00	01 - 70	2
	27-40-00	01 - 200	2
AN4C-5A	27-20-00	01 - 170	4
AN4C-6A	27-40-00	01 - 220	2
	53-00-00	01 - 415	2
	25-10-00	01 - 95	2
AN4C6A	26-20-00	01 - 20	2
AN4H-23A	24-30-00	01 - 15	1

Use or disclosure of this data is subject to restrictions on the Title Page of this document.

NUMERICAL INDEX

Page 2

NOV 1/07

LIBERTY AEROSPACE

135A-970-400

ILLUSTRATED PARTS CATALOG

Part Number	System/ Sub-System	Fig - Item	Total Req.
AN4H-27A	25-10-00	02 - 10	1
AN4H-73A	24-30-00	01 - 20	1
AN4H-75A	25-10-00	02 - 15	1
AN5-11	27-40-00	01 - 55	1
	27-40-00	01 - 85	1
	27-40-00	01 - 160	1
	27-40-00	01 - 180	1
AN525-10R18	55-40-00	01 - 50	3
AN525-10R6	24-00-00	01 - 135	2
	27-40-00	01 - 435	1
	27-50-00	01 - 170	1
	28-00-00	01 - 65	1
AN525-10R7	28-00-00	01 - 60	2
	28-00-00	01 - 190	1
	28-00-00	01 - 210	1
	57-00-00	01 - 20	6
AN525-10R8	27-50-00	01 - 130	1
	27-50-00	01 - 150	1
AN525C-1032R12	34-10-00	01 - 40	8
AN526C-1032R20	23-10-00	01 - 185	2
	53-10-00	01 - 105	2
AN526-C1032R6	52-10-00	01 - 50	2
	52-10-00	01 - 125	1
AN526C1032R7	61-10-00	01 - 10	12
AN526C-1032R8	23-10-00	01 - 115	4
	28-00-00	01 - 380	1
	53-00-00	01 - 190	3
	53-00-00	01 - 205	4
	53-00-00	01 - 300	3
	53-00-00	01 - 315	4
	53-10-00	01 - 10	6
	53-10-00	01 - 75	2
	53-10-00	01 - 85	3
	57-00-00	01 - 60	12
	25-50-00	01 - 10	6
	25-50-00	01 - 20	2
	25-10-00	04 - 10	8
AN526C-832R10	53-00-00	01 - 275	6
AN536C-632R6	57-00-00	01 - 40	4
AN5-64	32-40-00	01 - 170	1
AN6-31	32-10-00	01 - 70	1
AN6C-12	25-10-00	01 - 30	1
AN737-TW107	28-00-00	01 - 325	2
AN816-4	71-30-00	01 - 60	1
AN816-4-4	28-00-00	01 - 265	1
AN816-4D	32-40-00	01 - 25	2
AN816-6	28-00-00	01 - 270	1

Use or disclosure of this data is subject to restrictions on the Title Page of this document.

NUMERICAL INDEX

Page 3

NOV 1/07

LIBERTY AEROSPACE

135A-970-400

ILLUSTRATED PARTS CATALOG

Part Number	System/ Sub-System	Fig - Item	Total Req.
AN832-4	71-30-00	01 - 115	1
AN832-6	71-30-00	01 - 130	1
AN832-6J	28-00-00	01 - 350	1
AN917-1	71-30-00	01 - 55	1
AN919-2	32-40-00	01 - 15	2
AN924-4	71-30-00	01 - 120	1
AN924-6	71-30-00	01 - 135	1
AN924-6J	28-00-00	01 - 355	1
	28-00-00	01 - 395	1
AN960-2	27-40-00	01 - 410	4
AN960C10L	27-40-00	01 - 430	1
AN970-3	71-30-00	01 - 75	2
AN970-4	73-20-00	01 - 85	5
	27-40-00	01 - 450	1
	71-30-00	01 - 20	2
AN970-5	32-40-00	01 - 165	2
AN970-6	32-10-00	01 - 55	2
AN970C-6	25-10-00	01 - 20	2
AVLOC01A	23-10-00	01 - 35	1
BR1-3047-9901	31-10-00	02 - 45	1
BR1-3047-9901-S	31-10-00	01 - 195	1
	31-10-00	02 - 45	1
	39-10-00	01 - 25	1
BR1-3048-9901	31-10-00	02 - 50	2
BR1-3048-9901-S	31-10-00	01 - 200	3
	31-10-00	02 - 50	2
	39-10-00	01 - 30	2
CAT-12	28-00-00	01 - 335	1
CB6014CR06	71-30-00	01 - 145	8
CCA-1550	28-00-00	01 - 150	1
	28-00-00	01 - 285	1
CCR264CS3-2	52-10-00	01 - 215	2
CCR274CS-3-01	55-40-00	01 - 80	2
CI 159C	23-10-00	01 - 165	1
CI-102	23-10-00	01 - 110	1
CI-105	23-10-00	01 - 85	1
CI-2480-200	23-10-00	01 - 55	1
	23-10-00	01 - 135	1
CR 3213-4-02	55-40-00	01 - 40	3
CR 3523-4-02	55-40-00	01 - 15	6
	55-40-00	01 - 30	14
	55-40-00	01 - 70	10
CR 3523-4-05	56-10-00	01 - 15	40
CR 3523-4-06	56-10-00	01 - 10	45
CR3212-4-03	57-00-00	01 - 10	3
CR3214-4-02	57-00-00	01 - 75	6

Use or disclosure of this data is subject to restrictions on the Title Page of this document.

NUMERICAL INDEX

Page 4

NOV 1/07

LIBERTY AEROSPACE

135A-970-400

ILLUSTRATED PARTS CATALOG

Part Number	System/ Sub-System	Fig - Item	Total Req.
CUST-FUEL	11-20-00	01 - 65	1
D1-211-5078	31-10-00	01 - 85	1
FS20X1-LIB	28-00-00	01 - 45	1
GAS375-LIB	28-00-00	01 - 135	1
GMM-4M-470	27-40-00	01 - 445	1
GMM-4M-470	27-50-00	01 - 60	1
H5000-2-102-125	71-10-00	01 - 25	1
HR30205J	32-40-00	01 - 275	2
JDA282847-GD-010	25-10-00	01 - 5	2
K1BBBAAAAA	31-10-00	01 - 215	3
	31-10-00	02 - 40	1
K1BBBCADCN	31-10-00	01 - 220	1
LC018C04MMS	52-10-00	01 - 140	1
LC-018C-4-M	52-10-00	01 - 140	1
MS16562-215	52-10-00	01 - 150	1
MS16562-239	52-10-00	01 - 155	1
MS17825-10	32-40-00	01 - 190	1
MS17825-3	73-20-00	01 - 20	1
	73-20-00	01 - 50	1
	72-00-00	01 - 25	1
	27-50-00	01 - 80	2
	32-40-00	01 - 40	2
	32-40-00	01 - 75	1
	32-40-00	01 - 130	1
MS17825-4	73-20-00	01 - 80	1
	27-10-00	01 - 35	2
	27-20-00	01 - 15	1
	27-20-00	01 - 45	1
	27-20-00	01 - 75	1
	27-20-00	01 - 100	1
	27-20-00	01 - 130	1
	27-20-00	01 - 185	1
	27-20-00	01 - 220	2
	27-20-00	01 - 255	1
	27-20-00	01 - 285	1
	27-20-00	01 - 315	1
	27-40-00	01 - 15	1
	27-40-00	01 - 105	1
	27-40-00	01 - 350	1
	27-40-00	01 - 370	1
	27-50-00	01 - 15	1
	27-50-00	01 - 40	1
	53-00-00	01 - 85	1
MS17825-5	27-40-00	01 - 45	1
	27-40-00	01 - 65	1
	27-40-00	01 - 140	1
	27-40-00	01 - 170	1

Use or disclosure of this data is subject to restrictions on the Title Page of this document.

NUMERICAL INDEX

Page 5

NOV 1/07

LIBERTY AEROSPACE

135A-970-400

ILLUSTRATED PARTS CATALOG

Part Number	System/ Sub-System	Fig - Item	Total Req.
	32-10-00	01 - 95	1
MS17825-6	32-10-00	01 - 45	1
MS17825-7	32-10-00	01 - 15	2
MS17826-14	32-40-00	01 - 235	1
MS17826-3	52-10-00	01 - 70	1
	52-10-00	01 - 110	1
MS17826-4	24-00-00	01 - 150	1
	27-10-00	01 - 15	2
MS17826-5	32-40-00	01 - 160	1
	52-10-00	01 - 165	1
MS17826-6	27-10-00	01 - 80	1
MS20427F3-3	71-10-00	01 - 30	4
	71-10-00	01 - 40	3
MS20427F3-4	71-10-00	01 - 15	3
MS20605R3W2	52-10-00	01 - 215	2
MS21025-20	32-40-00	01 - 310	1
MS21042-02	27-40-00	01 - 405	4
MS21042-08	23-10-00	01 - 90	2
	53-00-00	01 - 265	6
MS21042-3	23-10-00	01 - 60	4
	23-10-00	01 - 140	4
	23-10-00	01 - 170	2
	24-00-00	01 - 125	2
	27-10-00	01 - 55	4
	27-40-00	01 - 230	2
	27-40-00	01 - 425	1
	27-50-00	01 - 120	1
	27-50-00	01 - 140	1
	27-50-00	01 - 160	1
	27-50-00	01 - 180	2
	28-00-00	01 - 20	1
	28-00-00	01 - 50	3
	28-00-00	01 - 75	1
	28-00-00	01 - 100	1
	28-00-00	01 - 180	1
	28-00-00	01 - 200	1
	28-00-00	01 - 370	1
	32-40-00	01 - 95	2
MS21042-4	27-40-00	01 - 255	4
	27-40-00	01 - 280	2
	27-40-00	01 - 315	4
	28-00-00	01 - 240	4
	32-40-00	01 - 260	4
	32-40-00	01 - 335	4
	53-00-00	01 - 120	2
	53-10-00	01 - 25	2

Use or disclosure of this data is subject to restrictions on the Title Page of this document.

NUMERICAL INDEX

Page 6

NOV 1/07

LIBERTY AEROSPACE

135A-970-400

ILLUSTRATED PARTS CATALOG

Part Number	System/ Sub-System	Fig - Item	Total Req.
	53-10-00	01 - 50	1
	53-10-00	01 - 130	4
	25-10-00	01 - 35	2
	25-10-00	01 - 60	1
MS21042-6	33-40-00	01 - 20	3
	33-40-00	01 - 45	3
	53-00-00	01 - 135	2
	53-00-00	01 - 160	4
	25-10-00	01 - 10	1
MS21043-06	24-60-00	01 - 50	2
	24-60-00	01 - 65	2
	25-60-00	01 - 10	4
MS21043-08	27-40-00	01 - 490	8
MS21043-3	24-00-00	01 - 15	2
	24-00-00	01 - 35	2
	24-00-00	01 - 165	1
	32-10-00	01 - 125	2
	53-00-00	01 - 60	2
	53-00-00	01 - 340	2
	53-00-00	01 - 360	2
	53-00-00	01 - 380	4
	53-00-00	01 - 425	7
	53-00-00	01 - 440	2
	53-00-00	01 - 460	8
	53-00-00	01 - 475	3
	55-40-00	01 - 60	3
MS21043-4	24-00-00	01 - 60	2
	27-20-00	01 - 160	4
	27-40-00	01 - 190	2
	27-40-00	01 - 205	2
	53-00-00	01 - 400	2
	26-20-00	01 - 10	2
MS21075-L3N	52-10-00	01 - 210	2
MS21250-06-024	53-00-00	01 - 170	3
MS21250-06-090	53-00-00	01 - 145	2
	53-00-00	01 - 175	1
MS21919-WDG12	27-50-00	01 - 115	1
MS21919WDG13	27-40-00	01 - 420	2
MS21919WDG16	28-00-00	01 - 70	1
MS21919-WDG4	28-00-00	01 - 175	1
MS21919WDG4	28-00-00	01 - 10	1
	28-00-00	01 - 95	1
MS21919WDG5	27-50-00	01 - 155	1
MS21919WDG6	28-00-00	01 - 15	1
	28-00-00	01 - 365	1
MS24658-21A	39-10-00	01 - 35	1
MS24658-22D	31-10-00	01 - 180	2

Use or disclosure of this data is subject to restrictions on the Title Page of this document.

NUMERICAL INDEX

Page 7

NOV 1/07

LIBERTY AEROSPACE

135A-970-400

ILLUSTRATED PARTS CATALOG

Part Number	System/ Sub-System	Fig - Item	Total Req.
MS24665-134	73-20-00	01 - 45	1
	27-10-00	01 - 10	2
	27-10-00	01 - 30	2
	27-10-00	01 - 75	1
	27-20-00	01 - 280	1
	52-10-00	01 - 65	1
	52-10-00	01 - 105	1
	52-10-00	01 - 160	1
MS24665-151	72-00-00	01 - 20	1
	32-40-00	01 - 35	2
	32-40-00	01 - 70	1
MS24665-153	32-40-00	01 - 125	1
	73-20-00	01 - 15	1
	73-20-00	01 - 75	1
	24-00-00	01 - 145	1
	27-20-00	01 - 10	1
	27-20-00	01 - 40	1
	27-20-00	01 - 70	1
	27-20-00	01 - 95	1
	27-20-00	01 - 125	1
	27-20-00	01 - 180	1
	27-20-00	01 - 215	2
	27-20-00	01 - 250	1
	27-20-00	01 - 310	1
	27-40-00	01 - 10	1
	27-40-00	01 - 40	1
	27-40-00	01 - 60	1
	27-40-00	01 - 100	1
	27-40-00	01 - 135	1
	27-40-00	01 - 165	1
	27-40-00	01 - 345	1
	27-40-00	01 - 365	1
	27-50-00	01 - 10	1
	27-50-00	01 - 35	1
27-50-00	01 - 75	2	
32-10-00	01 - 90	1	
53-00-00	01 - 80	1	
MS24665-302	32-10-00	01 - 10	2
	32-10-00	01 - 40	1
MS24665-309	32-40-00	01 - 305	1
MS24665-428	32-40-00	01 - 185	1
MS24693-C28	24-00-00	01 - 195	2
	25-10-00	02 - 45	2
	25-10-00	03 - 55	2
MS24693-S270	27-40-00	01 - 240	2
MS24694C11	27-40-00	01 - 500	8

Use or disclosure of this data is subject to restrictions on the Title Page of this document.

NUMERICAL INDEX

Page 8

NOV 1/07

LIBERTY AEROSPACE

135A-970-400

ILLUSTRATED PARTS CATALOG

Part Number	System/ Sub-System	Fig - Item	Total Req.
	28-00-00	01 - 410	2
MS24694-C48	52-10-00	01 - 90	2
MS24694-C50	52-10-00	01 - 205	2
MS24694-C51	32-40-00	01 - 360	2
	53-00-00	01 - 35	2
	53-00-00	01 - 45	2
	71-10-00	01 - 65	4
MS24694-S51	32-40-00	01 - 370	1
MS27039C-4-12	03-00-00	02 - 105	4
MS3367-5-9	27-50-00	01 - 110	2
MS35206-230	33-40-00	01 - 30	3
	33-40-00	01 - 55	3
MS35206-241	32-40-00	01 - 295	3
MS35207-245	32-40-00	01 - 215	1
MS35333-37	24-60-00	01 - 110	4
MS35333-38	32-40-00	01 - 220	1
MS35333-74	71-30-00	01 - 95	8
MS35335-31	23-10-00	01 - 95	2
MS35335-36	71-30-00	01 - 125	2
MS35335-38	28-00-00	01 - 360	1
	28-00-00	01 - 400	1
	71-30-00	01 - 140	2
MS35335-60	23-10-00	01 - 65	4
	23-10-00	01 - 125	4
	23-10-00	01 - 145	4
MS35338-44	71-30-00	01 - 15	1
MS51859-18	73-20-00	01 - 95	2
MS51861-45C	53-00-00	01 - 290	6
MS51861-47C	53-00-00	01 - 220	6
MS51957-13	31-10-00	01 - 190	4
MS51957-15	31-10-00	01 - 170	4
MS51957-16	33-10-00	01 - 10	2
	25-10-00	02 - 70	3
MS51957-26	24-60-00	01 - 105	4
MS51957-28	24-60-00	01 - 55	2
	24-60-00	01 - 75	2
	31-10-00	01 - 260	2
MS51957-29	25-60-00	01 - 20	4
MS51957-30	24-60-00	01 - 125	4
	34-10-00	01 - 10	4
	34-10-00	01 - 20	4
	53-00-00	01 - 20	3
MS51957-32	31-10-00	01 - 50	3
	31-10-00	01 - 130	3
	31-10-00	01 - 145	3
MS51957-34	31-10-00	01 - 35	4
	31-10-00	01 - 65	3

Use or disclosure of this data is subject to restrictions on the Title Page of this document.

NUMERICAL INDEX

Page 9

NOV 1/07

LIBERTY AEROSPACE

135A-970-400

ILLUSTRATED PARTS CATALOG

Part Number	System/ Sub-System	Fig - Item	Total Req.
	31-10-00	01 - 95	4
	31-10-00	01 - 115	4
MS51957-35	31-10-00	01 - 80	3
	31-10-00	01 - 160	3
MS51957-45	24-60-00	01 - 10	7
	31-10-00	01 - 10	10
	31-10-00	02 - 25	8
	52-10-00	01 - 195	2
MS51957-7	27-40-00	01 - 415	4
MS51958-65	25-10-00	02 - 15	3
	25-10-00	03 - 15	3
MS91528 0E2B	31-10-00	01 - 210	2
MS9320-10	32-40-00	01 - 340	8
	53-10-00	01 - 135	REF
MS9350-08	71-30-00	01 - 5	1
MS9596-008	28-00-00	01 - 195	1
M17-183-00001	25-10-00	02 - 55	1
M803	31-10-00	01 - 165	1
NASM24665-153	32-40-00	01 - 155	1
NAS1149C0332R	23-10-00	01 - 70	4
	23-10-00	01 - 120	4
	23-10-00	01 - 150	4
	23-10-00	01 - 175	2
	24-00-00	01 - 20	4
	24-00-00	01 - 45	2
	24-00-00	01 - 170	2
	28-00-00	01 - 375	1
	32-10-00	01 - 130	4
	52-10-00	01 - 75	2
	52-10-00	01 - 115	2
	53-00-00	01 - 65	2
	53-00-00	01 - 345	4
	53-00-00	01 - 365	6
	53-00-00	01 - 385	8
	53-00-00	01 - 430	7
	53-00-00	01 - 445	2
	53-00-00	01 - 465	8
	53-00-00	01 - 480	3
	53-00-00	01 - 505	3
	53-10-00	01 - 15	6
	53-10-00	01 - 80	2
	53-10-00	01 - 90	3
	53-10-00	01 - 110	2
	53-10-00	01 - 155	2
NAS1149C0363R	24-00-00	01 - 40	2
	53-00-00	01 - 370	2

Use or disclosure of this data is subject to restrictions on the Title Page of this document.

NUMERICAL INDEX

Page 10

NOV 1/07

LIBERTY AEROSPACE

135A-970-400

ILLUSTRATED PARTS CATALOG

Part Number	System/ Sub-System	Fig - Item	Total Req.
NAS1149C0416R	24-00-00	01 - 65	4
	27-20-00	01 - 165	12
NAS1149C0432R	03-00-00	02 - 100	4
	53-00-00	01 - 405	4
	53-10-00	01 - 30	4
NAS1149C0463R	72-00-00	01 - 55	4
	53-00-00	01 - 410	4
	71-30-00	01 - 100	4
	71-30-00	01 - 165	2
NAS1149C0563R	52-10-00	01 - 170	1
NAS1149C0632P	53-00-00	01 - 140	2
	53-00-00	01 - 165	4
NAS1149C0632R	27-10-00	01 - 85	2
NAS1149C0663R	27-10-00	01 - 90	1
NAS1149C0832R	25-10-00	02 - 40	1
NAS1149CN616R	56-10-00	01 - 20	85
	25-60-00	01 - 15	4
NAS1149CN632R	24-60-00	01 - 70	2
	24-60-00	01 - 115	4
	24-60-00	01 - 130	4
	33-40-00	01 - 25	3
	33-40-00	01 - 50	3
	34-10-00	01 - 25	4
	23-10-00	01 - 100	2
NAS1149CN816R	32-40-00	01 - 45	4
	32-40-00	01 - 80	7
	32-40-00	01 - 100	2
NAS1149F0316P	55-40-00	01 - 55	3
NAS1149F0332P	73-20-00	01 - 25	2
	72-00-00	01 - 30	1
	24-00-00	01 - 130	2
	27-10-00	01 - 60	4
	27-40-00	01 - 235	2
	27-50-00	01 - 90	2
	27-50-00	01 - 125	1
	27-50-00	01 - 145	2
	27-50-00	01 - 165	1
	27-50-00	01 - 185	4
	28-00-00	01 - 25	1
	28-00-00	01 - 55	2
	28-00-00	01 - 80	1
	28-00-00	01 - 105	2
	28-00-00	01 - 185	1
	28-00-00	01 - 205	1
	NAS1149F0363P	73-20-00	01 - 35
73-20-00		01 - 60	4
27-50-00		01 - 85	2

Use or disclosure of this data is subject to restrictions on the Title Page of this document.

NUMERICAL INDEX

Page 11

NOV 1/07

LIBERTY AEROSPACE

135A-970-400

ILLUSTRATED PARTS CATALOG

Part Number	System/ Sub-System	Fig - Item	Total Req.	
NAS1149F0432P	27-10-00	01 - 20	2	
	27-10-00	01 - 40	2	
	27-20-00	01 - 30	1	
	27-20-00	01 - 50	1	
	27-20-00	01 - 80	2	
	27-20-00	01 - 115	1	
	27-20-00	01 - 190	1	
	27-20-00	01 - 270	1	
	27-20-00	01 - 325	2	
	27-40-00	01 - 25	1	
	27-40-00	01 - 110	1	
	27-40-00	01 - 145	1	
	27-40-00	01 - 195	4	
	27-40-00	01 - 210	6	
	27-40-00	01 - 270	4	
	27-40-00	01 - 295	2	
	27-40-00	01 - 330	4	
	28-00-00	01 - 145	2	
	28-00-00	01 - 245	4	
	53-00-00	01 - 125	2	
	25-10-00	01 - 40	4	
	NAS1149F0463P	27-20-00	01 - 20	1
		27-20-00	01 - 55	2
27-20-00		01 - 105	1	
27-20-00		01 - 135	3	
27-20-00		01 - 200	1	
27-20-00		01 - 225	3	
27-20-00		01 - 230	2	
27-20-00		01 - 265	1	
27-20-00		01 - 290	4	
27-20-00		01 - 320	2	
27-40-00		01 - 20	1	
27-40-00		01 - 120	1	
27-40-00		01 - 150	2	
27-40-00		01 - 175	2	
27-40-00		01 - 215	2	
27-40-00		01 - 260	12	
27-40-00		01 - 285	6	
27-40-00		01 - 320	12	
27-40-00		01 - 355	2	
27-40-00		01 - 375	1	
27-50-00		01 - 20	1	
27-50-00		01 - 45	2	
32-40-00		01 - 265	8	
53-00-00		01 - 90	2	
53-10-00		01 - 55	REF	

Use or disclosure of this data is subject to restrictions on the Title Page of this document.

NUMERICAL INDEX

Page 12

NOV 1/07

LIBERTY AEROSPACE

135A-970-400

ILLUSTRATED PARTS CATALOG

Part Number	System/ Sub-System	Fig - Item	Total Req.
	71-30-00	01 - 30	1
	25-10-00	01 - 65	3
NAS1149F0463R	24-00-00	01 - 155	1
NAS1149F0532P	27-40-00	01 - 70	1
NAS1149F0563P	27-40-00	01 - 50	3
	27-40-00	01 - 75	2
	32-10-00	01 - 100	1
NAS1149F0632P	32-10-00	01 - 50	1
	25-10-00	01 - 15	2
NAS1149F0732P	32-10-00	01 - 20	2
NAS1149F1063P	32-40-00	01 - 200	1
NAS1149FN816P	53-00-00	01 - 270	6
NAS1351C3-24	03-00-00	02 - 50	2
NAS1407P11M18	32-40-00	01 - 230	1
NAS144A-30	53-00-00	01 - 95	1
NAS147A-65	32-10-00	01 - 25	2
NAS43DD3-80	28-00-00	01 - 115	1
NAS6204-34	32-40-00	01 - 345	4
	53-10-00	01 - 140	REF
NAS620C-3L	55-40-00	01 - 85	2
NAS620C-5L	55-40-00	01 - 20	6
	55-40-00	01 - 75	10
NAS6604-58	32-40-00	01 - 270	4
	53-10-00	01 - 60	REF
PS-211-8021D	28-00-00	01 - 275	1
P8AX-BW-FF	23-10-00	01 - 45	3
RCA15AK-2	31-10-00	01 - 120	1
RCA26EK-10	31-10-00	01 - 40	1
RFB-1110-1	25-10-00	02 - 45	1
RG-25	24-30-00	01 - 25	1
RT A600	26-20-00	01 - 5	1
SCSH010C0012STBL	53-10-00	01 - 150	2
SCSH010F0016SS	23-10-00	01 - 75	4
	23-10-00	01 - 155	4
SPRL-2-S-AL	28-00-00	01 - 300	1
TIGK51-2C-D-IRD-FN	31-10-00	01 - 225	1
T16-311-172M02	31-10-00	01 - 25	1
T16-311-180M011	31-10-00	01 - 25	1
UXP-034	11-20-00	01 - 5	1
VLDANHH4	24-00-00	01 - 185	1
	31-10-00	02 - 35	1
VR2000-14-3	24-00-00	01 - 10	1
W-55	52-10-00	01 - 95	1
W69EK7-63G	61-10-00	01 - 20	1
Z4300	32-40-00	01 - 385	2
01-0770844-00	24-60-00	01 - 25	2
	31-10-00	01 - 205	1

Use or disclosure of this data is subject to restrictions on the Title Page of this document.

NUMERICAL INDEX

LIBERTY AEROSPACE

135A-970-400

ILLUSTRATED PARTS CATALOG

Part Number	System/ Sub-System	Fig - Item	Total Req.
01-0770346-09	33-40-00	01 - 5	1
01-0770844-00	39-10-00	01 - 10	2
05-14200	39-10-00	01 - 15	1
05-14420	39-10-00	01 - 45	1
05-16210	71-30-00	01 - 80	1
09-43917	11-20-00	01 - 50	2
013-00049-00	31-10-00	01 - 70	1
	31-10-00	01 - 150	1
1-480274	39-10-00	01 - 40	1
10-55A	32-40-00	01 - 30	2
1040-1	11-20-00	01 - 30	2
1041-1	11-20-00	01 - 25	6
	11-30-00	01 - 35	1
10350-12	28-00-00	01 - 320	2
11716	32-40-00	01 - 320	2
12VRC	24-60-00	01 - 40	1
135A-00-001	03-00-00	01 - 1	REF
135A-00-025	03-00-00	01 - 40	REF
	03-00-00	02 - 1	REF
	53-00-00	01 - 180	REF
	57-00-00	01 - 1	REF
135A-08-001	03-00-00	01 - 30	REF
	11-20-00	01 - 1	REF
135A-08-002	03-00-00	01 - 5	REF
	25-10-00	02 - 1	REF
135A-08-003	03-00-00	01 - 35	REF
	11-30-00	01 - 1	REF
135A-08-008	03-00-00	01 - 5	REF
	25-10-00	03 - 1	REF
135A-08-009	03-00-00	01 - 5	REF
	25-10-00	03 - 1	REF
135A-08-041	03-00-00	01 - 70	REF
	53-10-00	01 - 1	REF
135A-08-047	03-00-00	01 - 10	REF
	25-10-00	01 - 1	REF
135A-08-101	25-10-00	03 - 5	1
135A-08-102	25-10-00	02 - 5	1
	25-10-00	03 - 5	1
135A-08-103	52-10-00	01 - 25	1
135A-08-104	52-10-00	01 - 25	1
135A-08-301	11-20-00	01 - 60	1
135A-08-302	11-20-00	01 - 60	1
135A-08-305	24-30-00	01 - 5	1
135A-08-306	11-20-00	01 - 10	1
135A-08-307	11-20-00	01 - 35	2
135A-08-309	11-30-00	01 - 80	1

Use or disclosure of this data is subject to restrictions on the Title Page of this document.

NUMERICAL INDEX

Page 14

NOV 1/07

LIBERTY AEROSPACE

135A-970-400

ILLUSTRATED PARTS CATALOG

Part Number	System/ Sub-System	Fig - Item	Total Req.
135A-08-311	11-30-00	01 - 85	1
135A-08-315	11-30-00	01 - 55	1
135A-08-317	11-20-00	01 - 20	1
135A-08-319	11-30-00	01 - 60	1
135A-08-321	11-30-00	01 - 15	2
135A-08-323	11-20-00	01 - 70	1
135A-08-325	11-20-00	01 - 55	1
135A-08-327	11-30-00	01 - 40	1
135A-08-341	11-30-00	01 - 30	1
135A-08-343	11-30-00	01 - 45	2
135A-08-344	25-10-00	02 - 40	4
	25-10-00	03 - 50	4
135A-08-345	25-10-00	03 - 50	4
135A-08-346	11-30-00	01 - 50	1
135A-08-349	11-20-00	01 - 40	1
135A-08-350	11-20-00	01 - 45	1
135A-08-352	25-10-00	03 - 60	2
135A-08-354	25-10-00	03 - 70	2
135A-08-355	25-10-00	03 - 75	1
135A-08-356	25-10-00	03 - 75	1
135A-08-360	25-10-00	03 - 10	1
135A-08-364	25-10-00	02 - 10	1
	25-10-00	03 - 10	1
135A-08-365	25-10-00	03 - 30	1
135A-08-366	25-10-00	03 - 35	1
135A-08-367	25-10-00	02 - 20	1
	25-10-00	03 - 30	1
135A-08-368	25-10-00	02 - 25	1
	25-10-00	03 - 35	1
135A-08-369	25-10-00	03 - 65	2
135A-08-370	25-10-00	03 - 65	2
135A-08-371	25-10-00	03 - 40	1
135A-08-372	25-10-00	03 - 40	1
135A-08-373	11-30-00	01 - 10	2
135A-08-374	25-10-00	02 - 50	2
	25-10-00	03 - 60	2
135A-08-376	25-10-00	02 - 55	2
	25-10-00	03 - 70	2
135A-08-380	25-10-00	02 - 30	1
135A-08-384	25-10-00	03 - 45	1
135A-08-387	25-10-00	03 - 20	1
135A-08-388	25-10-00	03 - 25	1
135A-08-391	25-10-00	02 - 35	1
135A-08-392	25-10-00	02 - 60	1
135A-08-393	11-30-00	01 - 5	2
135A-08-394	25-10-00	02 - 65	1
135A-08-397	11-20-00	01 - 75	1

Use or disclosure of this data is subject to restrictions on the Title Page of this document.

NUMERICAL INDEX

LIBERTY AEROSPACE

135A-970-400

ILLUSTRATED PARTS CATALOG

Part Number	System/ Sub-System	Fig - Item	Total Req.	
135A-08-505	11-30-00	01 - 20	1	
135A-08-506	11-30-00	01 - 25	1	
135A-10-017	03-00-00	02 - 150	REF	
	24-30-00	01 - 1	REF	
	25-10-00	02 - 1	REF	
	03-00-00	02 - 5	REF	
135A-10-035	11-30-00	01 - 65	REF	
	24-00-00	01 - 180	REF	
	28-00-00	01 - 295	REF	
	32-40-00	01 - 375	REF	
	53-00-00	01 - 1	REF	
	135A-10-041	73-20-00	01 - 105	REF
		27-40-00	01 - 1	REF
32-40-00		01 - 350	REF	
33-10-00		01 - 1	REF	
52-10-00		01 - 1	REF	
53-00-00		01 - 5	1	
135A-10-045	25-10-00	01 - 75	REF	
	23-10-00	01 - 1	REF	
	24-00-00	01 - 90	REF	
	31-10-00	01 - 265	REF	
	33-10-00	01 - 15	1	
135A-10-047	73-20-00	01 - 1	REF	
	24-00-00	01 - 115	REF	
	27-20-00	01 - 1	REF	
	27-50-00	01 - 1	REF	
135A-10-059	73-20-00	01 - 5	1	
	28-00-00	01 - 1	REF	
135A-10-064	28-00-00	01 - 5	1	
	32-40-00	01 - 1	REF	
135A-10-068	27-10-00	01 - 1	REF	
	32-40-00	01 - 5	1	
135A-10-072	32-10-00	01 - 1	REF	
	32-40-00	01 - 140	REF	
135A-10-074	32-10-00	01 - 115	1	
	53-00-00	01 - 100	REF	
135A-10-075	53-00-00	01 - 105	1	
135A-10-085	53-00-00	01 - 150	1	
135A-10-086	53-00-00	01 - 155	1	
135A-10-101	11-30-00	01 - 75	REF	
	23-10-00	01 - 40	REF	
	24-00-00	01 - 1	REF	
	31-10-00	01 - 275	REF	
	33-10-00	01 - 20	1	
135A-10-103	24-00-00	01 - 80	REF	
	27-20-00	01 - 150	REF	

Use or disclosure of this data is subject to restrictions on the Title Page of this document.

NUMERICAL INDEX

Page 16

NOV 1/07

LIBERTY AEROSPACE

135A-970-400

ILLUSTRATED PARTS CATALOG

Part Number	System/ Sub-System	Fig - Item	Total Req.
	27-40-00	01 - 90	REF
	53-00-00	01 - 320	REF
	56-10-00	01 - 1	REF
135A-10-105	27-20-00	01 - 300	1
	27-40-00	01 - 465	REF
135A-10-125	52-10-00	01 - 5	1
135A-10-126	52-10-00	01 - 5	1
135A-10-127	52-10-00	01 - 20	1
135A-10-128	52-10-00	01 - 20	1
135A-10-131	31-10-00	01 - 270	1
135A-10-137	53-00-00	01 - 230	1
135A-10-141	03-00-00	02 - 130	REF
	26-20-00	01 - 1	REF
135A-10-143	03-00-00	02 - 120	REF
	25-50-00	01 - 1	REF
135A-10-145	03-00-00	02 - 155	
	25-10-00	04 - 1	REF
135A-10-147	03-00-00	02 - 125	REF
	25-60-00	01 - 1	REF
135A-10-159	03-00-00	02 - 135	1
135A-10-161	53-00-00	01 - 260	2
135A-10-169	53-00-00	01 - 355	1
135A-10-171	53-00-00	01 - 420	1
	53-00-00	01 - 455	1
135A-10-175	25-10-00	02 - 5	1
135A-10-177	53-00-00	01 - 230	1
135A-10-197	52-10-00	01 - 55	1
135A-10-198	52-10-00	01 - 60	1
135A-10-211	28-00-00	01 - 235	1
135A-10-224	52-10-00	01 - 100	1
135A-10-237	52-10-00	01 - 130	1
135A-10-238	52-10-00	01 - 130	1
135A-10-249	53-00-00	01 - 110	1
135A-10-250	53-00-00	01 - 115	1
135A-10-265	27-40-00	01 - 185	1
135A-10-272	71-30-00	01 - 155	1
135A-10-281	52-10-00	01 - 85	1
135A-10-301	56-10-00	01 - 5	1
135A-10-309	53-00-00	01 - 490	1
135A-10-310	53-00-00	01 - 495	1
135A-10-323	32-10-00	01 - 120	2
135A-10-325	27-40-00	01 - 225	2
135A-10-329	53-00-00	01 - 30	1
135A-10-330	32-40-00	01 - 355	1
	53-00-00	01 - 40	1
135A-10-331	27-40-00	01 - 485	2
135A-10-335	25-10-00	02 - 25	1

Use or disclosure of this data is subject to restrictions on the Title Page of this document.

NUMERICAL INDEX

LIBERTY AEROSPACE

135A-970-400

ILLUSTRATED PARTS CATALOG

Part Number	System/ Sub-System	Fig - Item	Total Req.
135A-10-345	25-10-00	04 - 15	1
135A-10-346	25-10-00	04 - 15	1
135A-10-347	11-30-00	01 - 70	1
135A-10-377	25-50-00	01 - 5	1
135A-10-378	25-50-00	01 - 5	1
135A-10-379	25-50-00	01 - 15	1
135A-10-380	25-50-00	01 - 15	1
135A-10-381	25-10-00	04 - 20	1
135A-10-382	25-10-00	04 - 20	1
135A-10-383	52-10-00	01 - 185	1
135A-10-385	52-10-00	01 - 200	1
135A-10-386	52-10-00	01 - 200	1
135A-10-389	52-10-00	01 - 25	1
135A-10-390	52-10-00	01 - 25	1
135A-10-407	53-00-00	01 - 255	1
135A-10-409	53-00-00	01 - 250	1
135A-10-419	53-00-00	01 - 210	1
135A-10-447	53-00-00	01 - 200	1
135A-10-449	53-00-00	01 - 185	1
135A-10-456	53-00-00	01 - 295	1
135A-10-458	53-00-00	01 - 305	1
135A-10-460	53-00-00	01 - 310	1
135A-10-469	52-10-00	01 - 45	1
135A-10-470	52-10-00	01 - 45	1
135A-10-601	53-00-00	01 - 55	2
135A-10-613	53-00-00	01 - 50	2
135A-10-633	53-00-00	01 - 330	1
135A-10-634	53-00-00	01 - 335	1
135A-10-689	53-00-00	01 - 280	1
135A-10-690	53-00-00	01 - 285	1
135A-10-705	25-10-00	01 - 45	2
135A-10-741	25-10-00	01 - 80	2
135A-10-743	25-10-00	01 - 85	1
135A-10-744	25-10-00	01 - 90	1
135A-10-745	25-10-00	01 - 55	2
135A-10-793	27-50-00	01 - 25	1
135A-10-803	73-20-00	01 - 70	1
135A-10-805	73-20-00	01 - 110	1
135A-10-806	73-20-00	01 - 115	1
135A-10-809	25-10-00	01 - 25	1
135A-10-820	53-00-00	01 - 15	1
135A-10-873	25-10-00	04 - 5	2
135A-10-919	52-10-00	01 - 30	1
135A-10-920	52-10-00	01 - 30	1
135A-10-921	52-10-00	01 - 145	1
135A-10-922	52-10-00	01 - 145	1

Use or disclosure of this data is subject to restrictions on the Title Page of this document.

NUMERICAL INDEX

Page 18

NOV 1/07

LIBERTY AEROSPACE

135A-970-400

ILLUSTRATED PARTS CATALOG

Part Number	System/ Sub-System	Fig - Item	Total Req.
135A-10-933	52-10-00	01 - 80	1
135A-10-937	52-10-00	01 - 180	1
135A-10-942	24-30-00	01 - 10	1
135A-10-947	52-10-00	01 - 135	1
135A-10-948	52-10-00	01 - 135	1
135A-10-967	52-10-00	01 - 35	2
135A-10-968	53-00-00	01 - 10	4
135A-10-983	52-10-00	01 - 40	2
135A-11-101	03-00-00	02 - 65	REF
135A-11-201	03-00-00	02 - 70	1
135A-11-202	03-00-00	02 - 75	1
135A-11-401	03-00-00	02 - 80	1
135A-11-402	03-00-00	02 - 85	1
135A-11-517	53-00-00	01 - 75	2
135A-20-007	03-00-00	02 - 110	REF
	33-40-00	01 - 10	REF
	57-00-00	01 - 25	REF
135A-20-008	03-00-00	02 - 115	REF
	33-40-00	01 - 35	REF
	57-00-00	01 - 25	REF
135A-20-101	57-00-00	01 - 30	1
135A-20-102	57-00-00	01 - 30	1
135A-20-141	57-00-00	01 - 55	1
135A-20-142	57-00-00	01 - 55	1
135A-20-245	57-00-00	01 - 35	1
135A-20-415	57-00-00	01 - 80	1
135A-20-416	57-00-00	01 - 80	1
135A-20-421	57-00-00	01 - 65	1
135A-20-422	57-00-00	01 - 65	1
135A-20-757	57-00-00	01 - 70	1
135A-20-783	57-00-00	01 - 15	4
135A-20-789	57-00-00	01 - 50	1
135A-20-803	57-00-00	01 - 5	2
135A-30-101	03-00-00	02 - 140	1
135A-30-102	03-00-00	02 - 145	1
135A-30-129	03-00-00	02 - 10	1
	55-40-00	01 - 1	REF
135A-30-134	55-40-00	01 - 5	1
135A-30-407	55-40-00	01 - 10	1
135A-30-409	55-40-00	01 - 65	1
135A-30-637	55-40-00	01 - 25	1
135A-30-643	55-40-00	01 - 35	1
135A-30-651	55-40-00	01 - 45	1
135A-40-003	32-10-00	01 - 85	1
	32-40-00	01 - 145	REF
135A-40-005	32-10-00	01 - 30	1
	32-40-00	01 - 280	REF

Use or disclosure of this data is subject to restrictions on the Title Page of this document.

NUMERICAL INDEX

LIBERTY AEROSPACE

135A-970-400

ILLUSTRATED PARTS CATALOG

Part Number	System/ Sub-System	Fig - Item	Total Req.
135A-40-006	32-10-00	01 - 35	1
	32-40-00	01 - 285	REF
135A-40-007	32-40-00	01 - 300	1
135A-40-009	32-40-00	01 - 150	1
135A-40-015	32-40-00	01 - 225	1
135A-40-021	53-10-00	01 - 65	1
135A-40-022	53-10-00	01 - 70	1
135A-40-203	32-40-00	01 - 120	1
135A-40-207	32-40-00	01 - 250	1
135A-40-213	32-40-00	01 - 60	1
135A-40-214	32-40-00	01 - 65	1
135A-40-301	32-10-00	01 - 60	1
135A-40-303	32-40-00	01 - 205	1
135A-40-305	53-10-00	01 - 40	2
135A-40-307	53-10-00	01 - 115	2
135A-40-308	53-10-00	01 - 145	2
135A-40-311	32-40-00	01 - 105	2
135A-40-401	53-10-00	01 - 5	1
135A-40-402	53-10-00	01 - 20	1
135A-40-405	53-10-00	01 - 95	1
135A-40-406	53-10-00	01 - 100	1
135A-40-505	32-10-00	01 - 5	2
135A-40-509	32-10-00	01 - 75	1
135A-40-510	32-10-00	01 - 80	1
135A-40-511	32-10-00	01 - 110	1
135A-40-515	53-10-00	01 - 45	2
135A-40-517	32-40-00	01 - 255	1
135A-40-529	32-10-00	01 - 105	1
135A-40-541	32-40-00	01 - 110	4
135A-40-545	32-40-00	01 - 365	2
135A-40-555	32-40-00	01 - 180	1
135A-40-565	32-40-00	01 - 210	1
135A-40-567	32-40-00	01 - 245	1
135A-40-569	32-40-00	01 - 240	1
135A-40-583	32-40-00	01 - 90	2
135A-40-585	53-10-00	01 - 120	1
135A-40-586	53-10-00	01 - 125	1
135A-40-587	32-40-00	01 - 380	1
135A-45-011	27-20-00	01 - 155	1
135A-45-123	27-40-00	01 - 475	1
135A-45-125	27-40-00	01 - 470	1
135A-45-215	27-40-00	01 - 5	1
135A-45-231	27-10-00	01 - 70	1
135A-45-233	27-10-00	01 - 5	2
135A-45-243	27-20-00	01 - 5	1
135A-45-245	27-20-00	01 - 90	1

Use or disclosure of this data is subject to restrictions on the Title Page of this document.

NUMERICAL INDEX

Page 20

NOV 1/07

LIBERTY AEROSPACE

135A-970-400

ILLUSTRATED PARTS CATALOG

Part Number	System/ Sub-System	Fig - Item	Total Req.
135A-45-247	27-20-00	01 - 210	1
135A-45-249	27-20-00	01 - 245	1
135A-45-251	27-40-00	01 - 35	1
135A-45-253	27-40-00	01 - 130	1
135A-45-261	27-20-00	01 - 65	1
135A-45-265	27-20-00	01 - 305	1
135A-45-267	27-20-00	01 - 175	1
135A-45-269	27-40-00	01 - 95	1
135A-45-271	27-50-00	01 - 70	1
135A-45-275	27-50-00	01 - 5	1
135A-45-279	27-50-00	01 - 55	1
135A-45-311	27-40-00	01 - 480	2
135A-45-315	27-40-00	01 - 310	2
135A-45-333	27-40-00	01 - 460	1
135A-45-335	27-50-00	01 - 175	1
135A-45-339	27-40-00	01 - 340	1
135A-45-409	27-10-00	01 - 50	2
135A-45-599	27-20-00	01 - 195	1
	27-40-00	01 - 115	1
135A-45-643	27-50-00	01 - 95	2
135A-45-691	27-40-00	01 - 265	4
135A-45-693	27-40-00	01 - 290	2
	27-40-00	01 - 325	4
135A-45-695	27-40-00	01 - 245	1
135A-45-696	27-40-00	01 - 250	1
135A-45-699	27-40-00	01 - 305	2
135A-45-775	27-40-00	01 - 390	1
135A-45-777	27-40-00	01 - 380	1
135A-45-779	27-40-00	01 - 385	1
135A-45-787	27-40-00	01 - 440	1
135A-45-809	27-50-00	01 - 195	1
135A-45-811	27-50-00	01 - 105	1
135A-45-813	27-50-00	01 - 135	1
135A-50-015	72-00-00	01 - 1	REF
	03-00-00	02 - 15	REF
	61-10-00	01 - 1	REF
135A-50-017	72-00-00	01 - 1	REF
	03-00-00	02 - 15	REF
	61-10-00	01 - 1	REF
135A-50-021	72-00-00	01 - 75	1
135A-50-023	72-00-00	01 - 75	1
135A-50-025	72-00-00	01 - 65	1
	71-30-00	01 - 1	REF
135A-50-027	72-00-00	01 - 65	1
	71-30-00	01 - 1	REF
135A-50-103	72-00-00	01 - 5	1
	71-10-00	01 - 1	REF

Use or disclosure of this data is subject to restrictions on the Title Page of this document.

NUMERICAL INDEX

LIBERTY AEROSPACE

135A-970-400

ILLUSTRATED PARTS CATALOG

Part Number	System/ Sub-System	Fig - Item	Total Req.
135A-50-105	72-00-00	01 - 10	1
	33-40-00	01 - 1	REF
	71-10-00	01 - 45	REF
135A-50-110	71-10-00	01 - 10	1
135A-50-111	28-00-00	01 - 255	1
135A-50-117	28-00-00	01 - 260	1
135A-50-131	71-30-00	01 - 85	
135A-50-161	71-30-00	01 - 85	1
135A-50-163	71-30-00	01 - 65	1
135A-50-203	28-00-00	01 - 280	1
135A-50-204	71-10-00	01 - 35	1
135A-50-207	72-00-00	01 - 45	1
135A-50-209	28-00-00	01 - 40	1
135A-50-211	28-00-00	01 - 130	1
135A-50-213	28-00-00	01 - 125	1
135A-50-217	28-00-00	01 - 35	1
135A-50-219	28-00-00	01 - 120	1
135A-50-221	28-00-00	01 - 215	1
135A-50-243	61-10-00	01 - 25	1
135A-50-245	61-10-00	01 - 15	1
135A-50-247	28-00-00	01 - 345	1
135A-50-251	28-00-00	01 - 385	1
135A-50-303	28-00-00	01 - 340	1
135A-50-311	28-00-00	01 - 165	1
135A-50-313	53-00-00	01 - 325	2
135A-50-319	28-00-00	01 - 225	2
135A-50-327	28-00-00	01 - 230	1
135A-50-331	71-10-00	01 - 50	1
135A-50-333	71-10-00	01 - 60	1
135A-50-334	71-10-00	01 - 55	1
135A-50-341	28-00-00	01 - 305	1
135A-50-355	28-00-00	01 - 220	3
135A-50-357	28-00-00	01 - 290	4
135A-50-401	71-10-00	01 - 5	1
135A-50-403	71-10-00	01 - 70	1
135A-50-406	71-10-00	01 - 20	1
135A-50-421	71-10-00	01 - 75	1
135A-50-423	61-10-00	01 - 5	1
135A-50-501	71-30-00	01 - 110	
135A-50-533	28-00-00	01 - 390	1
135A-50-545	71-30-00	01 - 25	1
135A-50-627	28-00-00	01 - 405	1
135A-50-639	28-00-00	01 - 330	1
135A-50-701	72-00-00	01 - 70	1
135A-50-757	72-00-00	01 - 35	1
135A-50-759	72-00-00	01 - 15	1

Use or disclosure of this data is subject to restrictions on the Title Page of this document.

NUMERICAL INDEX

Page 22

NOV 1/07

LIBERTY AEROSPACE

135A-970-400

ILLUSTRATED PARTS CATALOG

Part Number	System/ Sub-System	Fig - Item	Total Req.
135A-50-761	72-00-00	01 - 40	1
135A-50-763	71-30-00	01 - 110	1
135A-50-767	72-00-00	01 - 60	1
135A-80-005	03-00-00	01 - 15	REF
	31-10-00	01 - 1	REF
135A-80-008	03-00-00	02 - 55	REF
	34-10-00	01 - 1	REF
135A-80-055	03-00-00	01 - 20	REF
	31-10-00	02 - 1	REF
135A-80-082	03-00-00	01 - 25	REF
	24-60-00	01 - 1	REF
135A-80-101	39-10-00	01 - 1	REF
135A-80-105	39-10-00	01 - 5	1
135A-80-110	24-60-00	01 - 5	1
135A-80-112	24-60-00	01 - 5	1
135A-80-115	31-10-00	01 - 5	1
135A-80-117	31-10-00	01 - 5	1
135A-80-131	31-10-00	02 - 5	1
135A-80-135	31-10-00	02 - 10	1
135A-80-137	31-10-00	02 - 15	1
135A-80-141	31-10-00	02 - 20	1
135A-80-163	03-00-00	02 - 20	REF
	34-10-00	01 - 35	REF
135A-80-173	34-10-00	01 - 15	1
135A-80-174	24-60-00	01 - 100	1
135A-80-206	24-60-00	01 - 20	1
135A-80-231	31-10-00	01 - 20	1
135A-80-247	03-00-00	02 - 25	1
135A-80-303	24-60-00	01 - 15	1
135A-80-303	24-60-00	01 - 15	1
135A-80-311	31-10-00	01 - 15	1
	31-10-00	01 - 15	1
135A-80-323	39-10-00	01 - 50	1
135A-80-341	31-10-00	02 - 55	1
135A-80-511	24-00-00	01 - 190	1
135A-80-575	03-00-00	02 - 30	1
135A-80-576	03-00-00	02 - 35	1
135A-81-033	24-00-00	01 - 85	1
135A-81-121	03-00-00	02 - 60	1
135A-81-127	27-40-00	01 - 400	1
135A-81-131	27-50-00	01 - 200	1
135A-81-204	24-60-00	01 - 80	1
135A-81-207	24-00-00	01 - 100	1
135A-81-208	24-60-00	01 - 85	1
135A-81-209	28-00-00	01 - 170	1
135A-81-210	24-60-00	01 - 90	1
135A-81-227	24-00-00	01 - 5	1

Use or disclosure of this data is subject to restrictions on the Title Page of this document.

NUMERICAL INDEX

LIBERTY AEROSPACE

135A-970-400

ILLUSTRATED PARTS CATALOG

Part Number	System/ Sub-System	Fig - Item	Total Req.
135A-81-233	33-40-00	01 - 15	1
135A-81-234	33-40-00	01 - 40	1
135A-81-235	31-10-00	01 - 250	1
135A-81-239	34-10-00	01 - 50	1
135A-81-249	23-10-00	01 - 5	1
135A-81-275	31-10-00	01 - 255	1
135A-81-277	31-10-00	01 - 90	1
135A-81-279	31-10-00	01 - 30	1
	31-10-00	01 - 105	1
135A-81-281	31-10-00	01 - 140	1
135A-81-283	31-10-00	01 - 45	1
	31-10-00	01 - 60	1
	31-10-00	01 - 75	1
	31-10-00	01 - 125	1
	31-10-00	01 - 155	1
135A-81-285	31-10-00	01 - 240	1
135A-81-286	31-10-00	01 - 235	1
135A-81-287	31-10-00	01 - 230	1
135A-81-311	24-00-00	01 - 110	1
135A-81-313	33-10-00	01 - 5	1
135A-81-315	31-10-00	01 - 280	1
135A-81-318	24-60-00	01 - 95	1
135A-81-333	31-10-00	01 - 245	1
135A-81-335	31-10-00	02 - 30	1
135A-81-345	24-00-00	01 - 75	1
135A-81-346	34-10-00	01 - 30	1
135A-82-102	03-00-00	01 - 55	REF
	23-10-00	01 - 105	REF
135A-82-103	03-00-00	01 - 65	REF
	23-10-00	01 - 160	REF
135A-82-107	03-00-00	01 - 45	REF
	23-10-00	01 - 50	REF
135A-82-109	03-00-00	01 - 60	REF
	23-10-00	01 - 130	REF
135A-82-113	03-00-00	01 - 50	REF
	23-10-00	01 - 80	REF
135A-82-301	23-10-00	01 - 180	1
1394T100-(7Z)	31-10-00	01 - 100	1
157-00800	32-40-00	01 - 290	1
164	57-00-00	01 - 45	1
21-919U	25-60-00	01 - 5	1
2633	24-60-00	01 - 30	2
	24-60-00	01 - 35	4
225395-1	25-10-00	02 - 50	1
30-9C	32-40-00	01 - 330	1
30RLSSBD	53-00-00	01 - 225	2

Use or disclosure of this data is subject to restrictions on the Title Page of this document.

NUMERICAL INDEX

Page 24

NOV 1/07

LIBERTY AEROSPACE

135A-970-400

ILLUSTRATED PARTS CATALOG

Part Number	System/ Sub-System	Fig - Item	Total Req.
3010018	71-30-00	01 - 45	1
3010022	24-60-00	01 - 60	1
33M1154-301	71-30-00	01 - 150	1
340000	28-00-00	01 - 90	1
350-4-0120	32-40-00	01 - 20	2
38012900	39-10-00	01 - 20	1
4ARP-LK	61-10-00	01 - 30	1
4S1LK	61-10-00	01 - 30	1
40-77	32-40-00	01 - 175	1
40-78B	32-40-00	01 - 325	1
40G26-1	53-00-00	01 - 235	26
40S5-5S	53-00-00	01 - 245	
4002-NS	53-00-00	01 - 240	26
4010057	31-10-00	01 - 185	1
4010083	24-60-00	01 - 120	1
424B	52-10-00	01 - 190	1
450017-1	25-10-00	02 - 35	1
52304	52-10-00	01 - 15	2
5422K58	28-00-00	01 - 310	2
5422K73	28-00-00	01 - 315	2
5710-291-30	73-20-00	01 - 30	1
	73-20-00	01 - 55	1
5710-58-30	27-20-00	01 - 25	1
	27-20-00	01 - 110	1
	27-20-00	01 - 140	1
	27-20-00	01 - 235	2
	27-20-00	01 - 260	1
5710-577-30	27-40-00	01 - 80	1
	27-40-00	01 - 155	1
5710-474-30	27-40-00	01 - 495	16
5710-759-30	32-40-00	01 - 315	2
5710-302-60	26-20-00	01 - 15	2
5806-13-3	73-20-00	01 - 90	2
580-700-093	73-20-00	01 - 10	1
5808-26-62-BO	32-10-00	01 - 65	1
5934PD-3D-A142	31-10-00	01 - 55	1
5808-275-62	32-40-00	01 - 195	6
6013-031	31-10-00	01 - 110	4
6041H105	24-00-00	01 - 55	2
6146K12	52-10-00	01 - 120	1
6350B2X3/8A	53-00-00	01 - 25	2
656070	25-10-00	02 - 30	1
656982-4	31-10-00	01 - 245	1
657230	34-10-00	01 - 5	1
74-1	11-20-00	01 - 15	1
700-41-275	28-00-00	01 - 160	1
7000-C.31	31-10-00	01 - 135	1

Use or disclosure of this data is subject to restrictions on the Title Page of this document.

NUMERICAL INDEX

LIBERTY AEROSPACE

135A-970-400

ILLUSTRATED PARTS CATALOG

Part Number	System/ Sub-System	Fig - Item	Total Req.
76579	71-30-00	01 - 40	1
705154-00	34-10-00	01 - 45	1
90313A205	03-00-00	02 - 95	4
90507A235	03-00-00	02 - 90	4
90985A106	52-10-00	01 - 10	2
98150-00	03-00-00	02 - 40	1
98150-50	03-00-00	02 - 45	1
98313	24-60-00	01 - 45	1